



High Speed Fuses Product Catalogue

Circuit Protection Products and Accessories



Cooper Bussmann, a division of Cooper Industries, is the leading source of circuit protection solutions in the global marketplace. Our products are approved for use around the world and meet agency requirements and international standards: IEC, VDE, DIN, UL, CSA, BS and others.

Cooper Bussmann global headquarters are in St Louis, Missouri (US) and the European headquarters are in Burton-on-the-Wolds, Leicestershire (UK).

Cooper Bussmann manufactures over 50,000 part numbers today covering extensive circuit protections solutions for a wide range of applications: residential, industrial, motor protection, power conversion and distribution, telecommunications, electronics and automotive.

Cooper Bussmann has been a leading exponent in the design, development and manufacture of high speed fuse links and their associated accessories for more than 90 years and has supplied fuse links to more than 90 countries worldwide.

The Cooper Bussmann team of specialist engineers plays a leading role in international standardisation of high speed fuse links, offering comprehensive advice on selection and applications.

With a continual commitment to meet our customers' needs with innovative high quality products with ISO 9002 "approval systems," Cooper Bussmann is the supplier of choice for high speed circuit protection solutions.

Table of Contents



North American Fuses	4
British BS 88 Fuses	12
Ferrule Fuses	16
Square Body Fuses	27
DIN 43 653 Fuses	27
DIN 43 620 Fuses	34
French Style Fuses	38
North American Style Fuses	40
Flush End Contact	44
• Size 4	51
• Size 23	57
• Size 24	61
• Size 5	63
Drive Fuse	64
IGBT Fuses	66
DC Fuses	70
Traction Fuses	77
Photovoltaic Protection Fuses	88
Accessories	89
Fuse bases & Fuse holders	89
Microswitches	97
Index by Catalogue Number	99

Cooper Bussmann® circuit protection solutions comply with major industrial standards and agency requirements such as: BS, IEC, DIN, UL, NEMA, SAE, CSA, CE, C-UL, etc. and are manufactured at facilities that are ISO 9000 certified. This catalog is intended to present product data and provide technical information that will help the end user with design application. Cooper Bussmann reserves the right, without notice, to change design or construction of any products and to discontinue or limit distribution of any products. Cooper Bussmann also reserves the right to change or update, without notice, any technical information contained in this catalog. Once a product has been selected, it should be tested by the user in all possible applications. Further, Cooper Bussmann takes no responsibility for errors or omissions contained in this catalog, or for misapplication of any Cooper Bussmann product. Extensive product information is available in the Cooper Bussmann product data sheets available online at www.cooperbussmann.com.

North American Fuses

FWA

130V / 1000-4000A

Specifications

Description: North American style flush end high speed fuses at 130V for protection of DC common bus, DC drives, power converters/rectifiers and reduced voltage starters.

Ratings:

- Volts: — 130Vac
- Amps: — 1000-4000A
- IR: — 200kA RMS Sym.
- 50kA @130Vdc



Agency Information: CE, UL Recognized on 1000-2000A fuses.

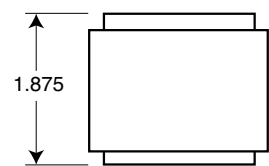
Catalogue Numbers:

Catalogue Numbers	Electrical Characteristics			
	Rated Current RMS-Amps	I ² t (A ² Sec)		Watts Loss
		Pre-arc	Clearing at 130Vac	
FWA-1000AH	1000	170000	460000	60
FWA-1200AH	1200	270000	730000	70
FWA-1500AH	1500	520000	1400000	78
FWA-2000AH	2000	860000	2400000	108
FWA-2500AH	2500	1500000	4100000	130
FWA-3000AH	3000	2100000	5700000	150
FWA-4000AH	4000	3400000	9200000	257

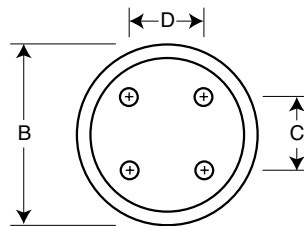
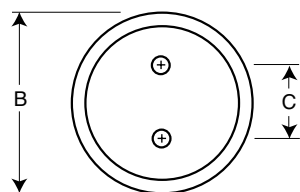
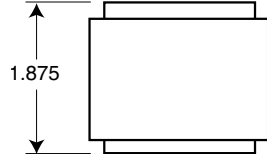
Data Sheets: 720001, 35785301

Dimensions (in)

1000-3000A



4000A



Catalogue Number	B	C	D	Thread Depth
FWA-1000AH-2000AH	2.0	1.0	—	Tapped 3/8"-24 x 1/2"
FWA-2500AH-3000AH	3.0	1.5	—	Tapped 1/2"-20 x 1/2"
FWA-4000AH	3.5	1.5	1.5	Tapped 1/2"-20 x 1/2"

1mm = 0.0394 / 1" = 25.4mm

North American Fuses

FWA

150V / 70-1000A

Specifications

Description: North American style stud-mount fuses for the protection of DC common bus, DC drives, power converters/rectifiers and reduced voltage starters.

Ratings:

- Volts: — 150Vac
- Amps: — 70-1000A
- IR: — 100kA RMS Sym. (70-400A)
- 200kA RMS Sym. (450-1000A)
- 20kA @150Vdc (70-800A) UL recognition on 70-800A
- 100kA @ 80Vdc (70-1000A) UL recognition on 70-1000A



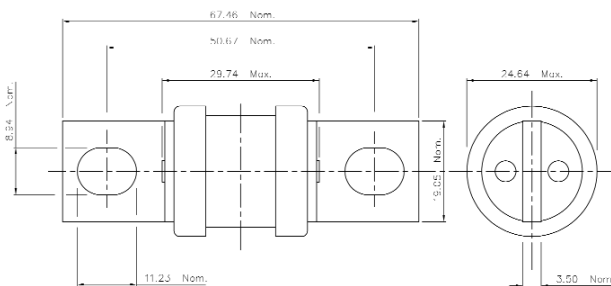
Agency Information: CE, UL Recognized.

Catalogue Numbers:

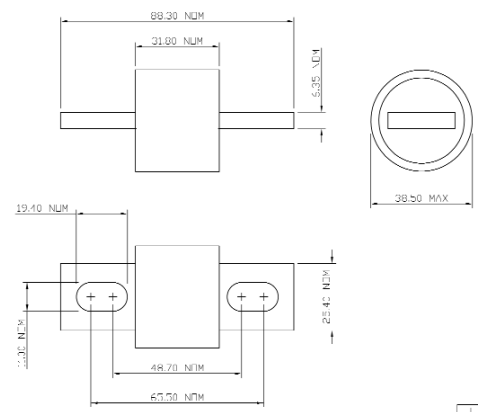
Catalogue Number	Electrical Characteristics			
	Rated Current RMS-Amps	I ² t (A ² Sec)		Watts Loss
		Pre-arc	Clearing at 150Vac	
FWA-70B	70	470	4000	6.9
FWA-80B	80	670	6000	7.7
FWA-100B	100	1200	12000	9.0
FWA-125B	125	1870	18000	11.2
FWA-150B	150	2700	26000	13.5
FWA-200B	200	4780	45000	17.6
FWA-250B	250	7470	70000	22.5
FWA-300B	300	10760	100000	27.0
FWA-350B	350	15700	140000	30.6
FWA-400B	400	20300	180000	35.2
FWA-500A	500	39000	120000	35.0
FWA-600A	600	46000	140000	47.0
FWA-700A	700	75000	220000	49.0
FWA-800A	800	92000	280000	58.0
FWA-1000A	1000	170000	510000	60.0

Data Sheets: 720002 , 35785310

70-400A



500-1000A



1mm = 0.0394 " / 1" = 25.4mm

North American Fuses

FWX

250V / 35-2500A

Specifications

Description: North American style stud-mount and flush end fuses, for the protection of DC common bus, DC drives, power converters/rectifiers and reduced voltage starters.

Ratings:

Volts: — 250Vac

Amps: — 35-2500A

IR: — 200kA RMS Sym.

— 20kA at 250Vdc (35-800A only).

Agency Information: CE, UL Recognized & CSA Component Acceptance on 35-800A fuses (20kA IR @250Vdc).

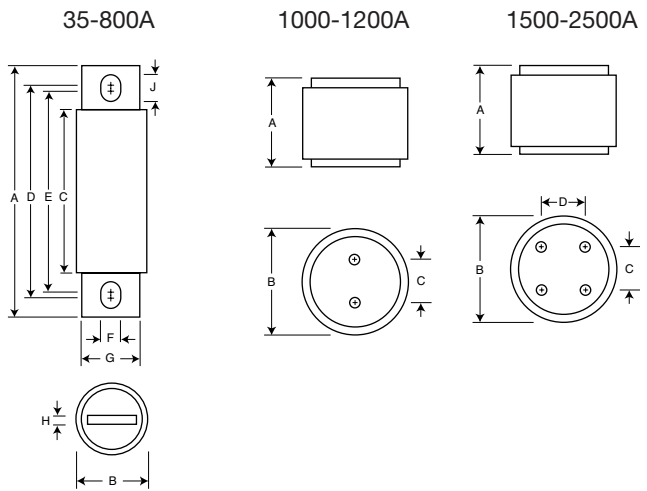
Catalogue Numbers:

Catalogue Number	Electrical Characteristics			
	Rated Current RMS-Amps	I ² t (A ² Sec)		Watts Loss
		Pre-arc	Clearing at 250Vac	
FWX-35A	35	50	230	4.2
FWX-40A	40	60	310	5.2
FWX-45A	45	80	390	5.7
FWX-50A	50	100	520	6.0
FWX-60A	60	140	740	8.1
FWX-70A	70	330	1400	7.2
FWX-80A	80	430	1850	8.1
FWX-90A	90	570	2450	9.0
FWX-100A	100	740	3150	10.0
FWX-125A	125	1130	4850	12.5
FWX-150A	150	1620	6950	15.7
FWX-175A	175	2170	9300	18.5
FWX-200A	200	2790	12000	22
FWX-225A	225	3210	14700	24
FWX-250A	250	3960	18100	27
FWX-275A	275	4720	21600	31
FWX-300A	300	6000	27300	32
FWX-350A	350	10600	48600	39
FWX-400A	400	14500	66100	44
FWX-450A	450	22100	101000	49
FWX-500A	500	28000	128000	54
FWX-600A	600	41100	188000	62
FWX-700A	700	48800	190000	72
FWX-800A	800	59000	230000	84
FWX-1000AH	1000	44000	360000	100
FWX-1200AH	1200	92000	750000	103
FWX-1500AH	1500	120000	880000	140
FWX-1600AH	1600	160000	1200000	140
FWX-2000AH	2000	320000	2300000	151
FWX-2500AH	2500	670000	4700000	163

Data Sheets : 720005 , 359 (35-800A) , 35785299 (100-2500A)



Dimensions (in)



Amp Range	A	B	C	D	E	F	G	H	J	Tapped Thread Depth
35-60	3.19	0.81	1.59	2.59	2.25	0.34	0.63	0.13	0.52	—
70-200	3.13	1.22	1.59	2.44	2.19	0.34	1.00	0.19	0.47	—
225-600	3.84	1.50	1.59	2.94	2.25	0.41	1.00	0.25	0.75	—
700-800	3.84	2.00	1.59	3.03	2.28	0.41	1.50	0.25	0.78	—
1000-1200	2.59	3.00	1.50	—	—	—	—	—	—	3/16"-24 x 1/2"
1500-2500	2.59	3.50	1.50	1.50	—	—	—	—	—	3/16"-24 x 1/2"

1mm = 0.0394" / 1" = 25.4mm

North American Fuses

FWH

500V / 35-1600A

Specifications

Description: North American style stud-mount fuses, for the protection of DC common bus, DC drives, power converters and rectifiers and reduced voltage starters.

Ratings:

- Volts: — 500Vac
- Amps: — 35-1600A
- IR: — 200kA RMS Sym.
- 50kA @ 500Vdc

Agency Information: CE, UL Recognition & CSA Component Acceptance on 35-800A only (50kA IR@500Vdc). UL Recognition on 35-1200A only, CSA Component Acceptance: 35-1600A.

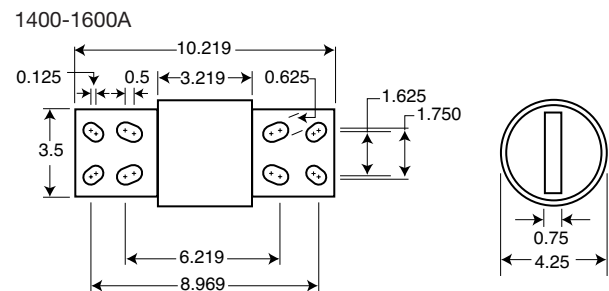
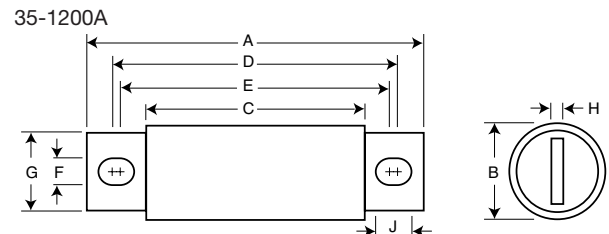
Catalogue Numbers:

Catalogue Numbers	Electrical Characteristics			
	Rated Current RMS-Amps	I ² t (A ² Sec)		Watts Loss
		Pre-arc	Clearing at 500Vac	
FWH-35B	35	34	150	8
FWH-40B	40	76	320	7.5
FWH-45B	45	105	450	7.5
FWH-50B	50	135	670	7.5
FWH-60B	60	210	900	9.9
FWH-70B	70	210	900	10.6
FWH-80B	80	305	1400	12.7
FWH-90B	90	360	1600	15
FWH-100B	100	475	2000	17
FWH-125B	125	800	3500	25
FWH-150B	150	1100	4600	30
FWH-175B	175	1450	6200	35
FWH-200B	200	1900	8500	40
FWH-225A	225	4600	23300	39
FWH-250A	250	6300	32200	41
FWH-275A	275	7900	40300	46
FWH-300A	300	9800	49800	51
FWH-325A	325	13700	63800	53
FWH-350A	350	14500	72900	58
FWH-400A	400	19200	96700	65
FWH-450A	450	24700	127000	74
FWH-500A	500	29200	149000	84
FWH-600A	600	41300	206000	108
FWH-700A	700	55000	298000	120
FWH-800A	800	76200	409000	129
FWH-1000A	1000	92000	450000	145
FWH-1200A	1200	122000	600000	180
FWH-1400A	1400	200000	1000000	210
FWH-1600A	1600	290000	1400000	230

Data Sheets : 720007, 35785304 (35-200A, 1000-1600A), 360 (255-800A)



Dimensions (in)



Amp Range	A	B	C	D	E	F	G	H	J
35-60	3.188	0.813	1.593	2.541	2.193	0.344	0.719	0.125	0.518
70-100	3.625	0.947	1.736	2.853	2.807	0.352	0.750	0.125	0.375
125-200	3.625	1.156	1.836	2.892	2.768	0.344	1.000	0.188	0.406
225-400	4.340	1.500	2.090	3.440	2.750	0.410	1.000	0.250	0.750
450-600	14.340	2.000	2.090	3.530	2.780	0.410	1.500	0.250	0.780
700-800	6.340	2.500	2.090	4.970	3.440	0.530	2.000	0.380	1.300
1000-1200	6.969	3.000	3.219	5.465	4.475	0.625	2.375	0.438	1.120
1400-1600	See Drawing								

1mm = 0.0394" / 1" = 25.4mm

North American Fuses

KAC

600V / 1-1000A

Specifications

Description: North American style stud-mount fuses.
These 600V fuses are supplied as replacements only.
For new installations, Cooper Bussmann recommends the 700V FWP Series fuse.

Ratings:

- Volts: — 600Vac
- Amps: — 1-1000A
- IR: — 200kA RMS Sym.

Agency Information: CE, UL Recognition on 1-600A only.

Catalogue Numbers:

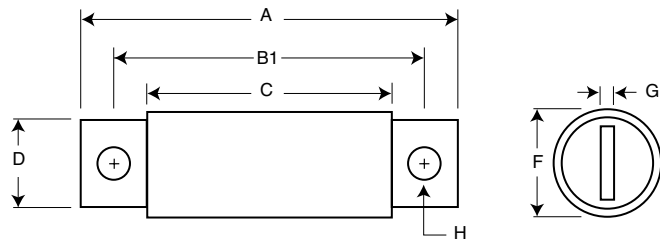


Catalogue Number	Rated Current Amp.
KAC-1	1
KAC-2	2
KAC-3	3
KAC-4	4
KAC-5	5
KAC-6	6
KAC-7	7
KAC-8	8
KAC-9	9
KAC-10	10
KAC-12	12
KAC-15	15
KAC-17-5	17.5
KAC-20	20
KAC-25	25
KAC-30	30
KAC-35	35
KAC-40	40
KAC-45	45
KAC-50	50
KAC-60	60
KAC-70	70
KAC-80	80
KAC-90	90
KAC-100	100
KAC-110	110
KAC-125	125
KAC-150	150
KAC-175	175
KAC-200	200
KAC-225	225
KAC-250	250
KAC-300	300
KAC-350	350
KAC-400	400
KAC-450	450
KAC-500	500
KAC-600	600
KAC-700	700
KAC-800	800
KAC-1000	1000

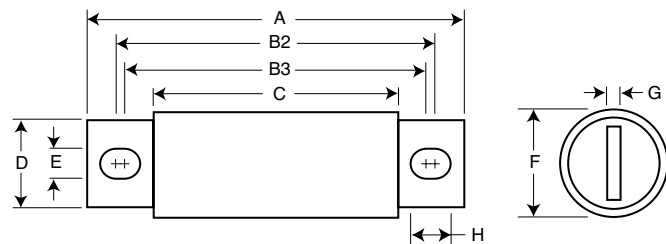
Data Sheet : 720009

Dimensions (in):

1-30 & 450-1000A



35-400A



Amp Range	A	B1	B2	B3	C	D	E	F	G	H
1-30A	2.875	2.500	—	—	1.875	0.406	—	0.563	0.063	0.257
35-60A	4.375	—	3.750	3.500	2.750	0.625	0.343	0.813	0.094	0.468
70-100A	5.000	—	4.063	3.656	2.750	0.750	0.406	1.000	0.125	0.609
110-200A	5.140	—	4.390	3.766	2.906	1.000	0.406	1.500	0.188	0.718
225-400A	6.182	—	4.815	4.565	3.000	1.625	0.562	2.000	0.250	0.687
450-800A	6.250	4.750	—	—	3.063	2.000	—	2.500	0.250	0.563
1000A	7.250	4.750	—	—	3.063	2.750	—	3.500	0.375	0.563

1mm = 0.0394" / 1" = 25.4mm

North American Fuses

KBC

600V / 35-800A

Specifications

Description: North American style stud-mount and flush-end fuses. These 600V fuses are supplied as replacements only. For new installations, Cooper Bussmann recommends the 700V FWP Series fuse.



Ratings:

Volts: — 600Vac

Amps: — 35-800A

IR: — 200kA RMS Sym.

Agency Information: CE, UL Recognition on 1-600A only.

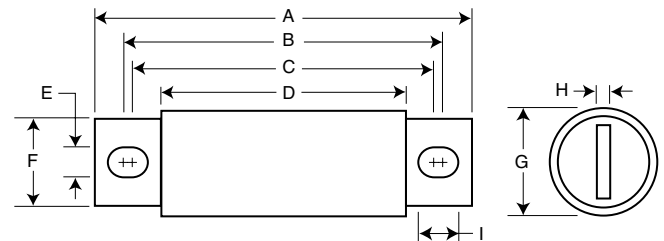
Catalogue Numbers:

Catalogue Number	Rated Current Amp.
KBC-35	35
KBC-40	40
KBC-45	45
KBC-50	50
KBC-60	60
KBC-70	70
KBC-80	80
KBC-90	90
KBC-100	100
KBC-110	110
KBC-125	125
KBC-150	150
KBC-175	175
KBC-200	200
KBC-225	225
KBC-250	250
KBC-300	300
KBC-350	350
KBC-400	400
KBC-450	450
KBC-500	500
KBC-600	600
KBC-800	800

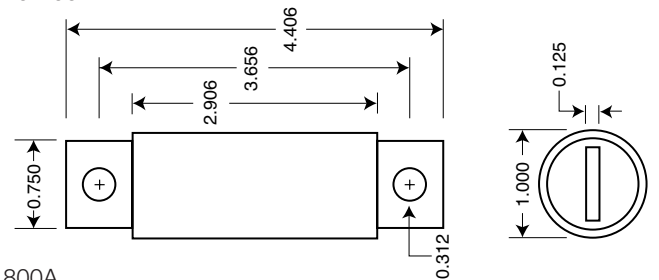
Data Sheet : 720010

Dimensions (in):

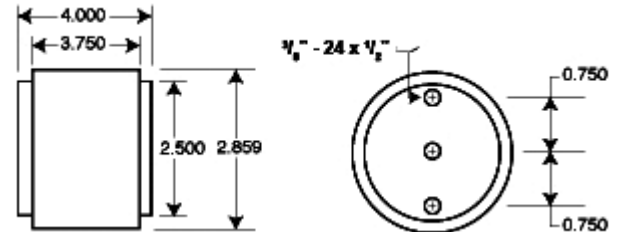
35-60 & 110-600A



70-100A



800A



Amp Range	A	B	C	D	E	F	G	H	I
35-60A	4.375	3.750	3.500	2.750	0.343	0.625	0.813	0.094	0.468
70-100A	See Drawing								
110-200A	4.406	3.719	3.594	2.906	0.312	0.875	1.219	0.187	0.375
225-400A	5.125	4.188	3.563	2.906	0.406	1.000	1.500	0.250	0.719
450-600A	5.125	4.389	3.687	2.875	0.406	1.500	2.000	0.250	0.757
800A	See Drawing								

1mm = 0.0394" / 1" = 25.4mm

North American Fuses

FWP

700V / 5-1200A

Specifications

Description: North American style stud-mount fuses at 700V for the protection of DC common bus, DC drives, power converters/rectifiers, reduced voltage starters.

Ratings:

- Volts: — 700Vac
- Amps: — 5-1200A
- IR: — 200kA RMS Sym.
- 50kA @ 700Vdc

Agency Information: CE, UL Recognition & CSA Component Acceptance on 5-800A.

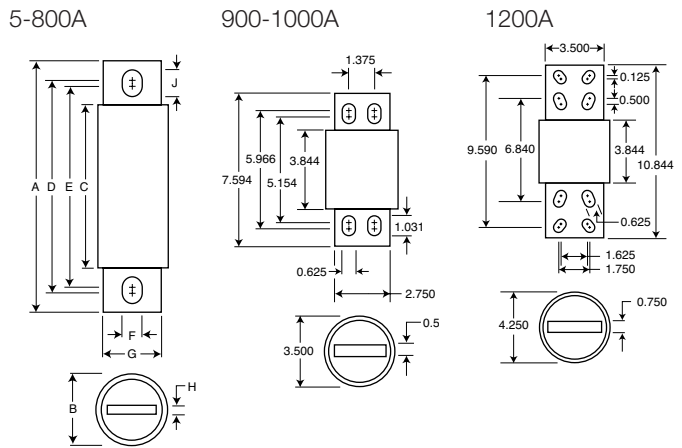
Catalogue Numbers:

Catalogue Numbers	Rated Current RMS-Amps	Electrical Characteristics		
		Pre-arc	Clearing at 700Vac	Watts Loss
FWP-5B	5	1.6	11	1.5
FWP-10B	10	3.6	22	4
FWP-15B	15	10	70	5.5
FWP-20B	20	26	180	6
FWP-25B	25	44	320	7
FWP-30B	30	58	450	9
FWP-35B	35	34	160	12
FWP-40B	40	76	320	12
FWP-50B	50	135	600	12
FWP-60B	60	210	950	15.5
FWP-70B	70	305	2000	18
FWP-80B	80	360	2400	21
FWP-90B	90	415	2700	25
FWP-100B	100	540	3500	27
FWP-125A	125	1800	7300	28
FWP-150A	150	2900	11700	32
FWP-175A	175	4200	16700	35
FWP-200A	200	5500	22000	43
FWP-225A	225	7700	31300	45
FWP-250A	250	10500	42500	48
FWP-300A	300	17600	71200	58
FWP-350A	350	23700	95600	65
FWP-400A	400	31000	125000	78
FWP-450A	450	36400	137000	94
FWP-500A	500	45200	170000	107
FWP-600A	600	66700	250000	122
FWP-700A	700	54000	300000	125
FWP-800A	800	78000	450000	140
FWP-900A	900	91500	530000	150
FWP-1000A	1000	120000	600000	170
FWP-1200A	1200	195000	1100000	190

Data Sheets: 720, 35785316 (5-30A), 361 (125-600A), 35785308 (35-100A, 700-1200A)



Dimensions (in):



Amp Range	A	B	C	D	E	F	G	H	I
5-30	2.870	0.563	1.855	2.477	2.477	0.250	0.405	0.063	0.250
35-60	4.375	0.813	2.750	3.708	3.312	0.344	0.725	0.125	0.542
70-100	4.406	0.947	2.594	3.625	3.563	0.344	0.750	0.125	0.375
125-200	5.090	1.500	2.840	4.190	3.500	0.410	1.000	0.250	0.750
225-400	5.090	2.000	2.840	4.280	3.530	0.410	1.500	0.250	0.780
450-600	7.090	2.500	2.840	5.720	4.190	0.530	2.000	0.380	1.300
700-800	6.630	2.000	2.844	5.562	5.062	0.625	1.500	0.250	0.875
900-1000	See Drawing								
1200	See Drawing								

1mm = 0.0394" / 1" = 25.4mm

North American Fuses

FWJ

1000V / 35-2000A

Specifications

Description: North American style stud-mount fuses at 1000V for the protection of DC common bus, DC drives power converters/rectifiers, reduced voltage starters.

Ratings:

Volts: — 1000Vac

Amps: — 35-200A

IR: — 25kA RMS Sym. (35-200A)

— 100kA RMS Sym. (250-2000A)

— 50kA @ 800Vdc (35-200A and 450-600A)



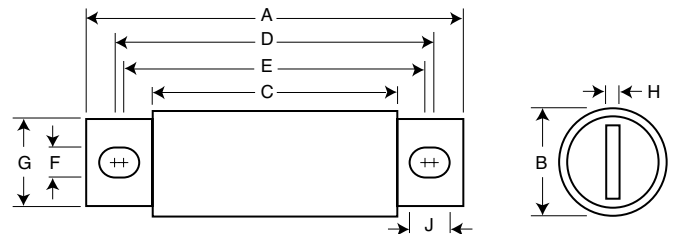
Agency Information: CE, UL Recognition on 35-600A only.

Catalogue Numbers:

Catalogue Numbers	Electrical Characteristics			
	Rated Current RMS-Amps	I ² t (A ² Sec)		Watts Loss
		Pre-arc	Clearing at 1000Vac	
FWJ-35A	35	210	2000	7
FWJ-40A	40	300	2500	8
FWJ-50A	50	470	3500	10
FWJ-60A	60	670	5000	11
FWJ-70A	70	1100	6900	12
FWJ-80A	80	1550	9700	13
FWJ-90A	90	1900	12000	14
FWJ-100A	100	2800	17500	15
FWJ-125A	125	4800	35000	16
FWJ-150A	150	6300	45000	25
FWJ-175A	175	7500	65000	30
FWJ-200A	200	11700	80000	32
FWJ-250A	250	16000	112000	50
FWJ-300A	300	23500	164000	56
FWJ-350A	350	33000	231000	62
FWJ-400A	400	47000	330000	67
FWJ-500A	500	39500	329000	95
FWJ-600A	600	61000	520000	105
FWJ-800A	800	87000	500000	182
FWJ-1000A	1000	190000	1100000	206
FWJ-1200A	1200	370000	2100000	240
FWJ-1400A	1400	470000	2700000	248
FWJ-1600A	1600	700000	4000000	267
FWJ-1800A	1800	925000	5300000	239
FWJ-2000A	2000	1330000	7600000	244

Data Sheets: 720027, 35785303 (35-600A), 35785309 (800-2000A)

Dimensions (in):



Amp Range	A	B	C	D	E	F	G	H	I
35-60	5.000	0.940	3.110	4.235	4.180	0.352	0.750	0.125	0.380
70-100	4.932	1.125	3.085	4.266	4.156	0.352	1.000	0.188	0.407
125-200	5.685	1.526	3.261	4.803	4.055	0.445	1.000	0.250	0.819
250-400	5.768	2.000	3.500	4.811	4.150	0.433	1.500	0.250	0.764
500-600	7.201	2.500	3.465	5.984	4.706	0.562	2.000	0.375	1.201
800-2000	6.811	3.500	3.312	5.472	4.962	0.625	2.750	0.500	0.880

1mm = 0.0394" / 1" = 25.4mm

British BS 88 Fuses

LCT, LET

240V / 6-180A

Specifications

Description: BS 88 style fuses for the protection of DC common bus, DC drives, power converters/rectifiers and reduced voltage starters. Low watts loss in a compact size.

Ratings:

Volts: — 240Vac/150Vdc

Amps: — 6-180A

IR: — 200kA RMS Sym.

— 50kA dc at 150Vdc



Operating Class: aR

Agency Information: CE, Designed and tested to: BS 88 Part 4, IEC 60269 Part 4, UL Recognized. All fuses have been tested at 318Vac. Consult Cooper Bussmann for specific UL Recognition status.

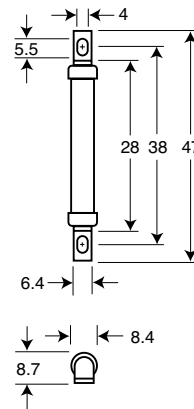
Catalogue Numbers:

Catalogue Numbers	Type	Rated Current RMS-Amps	I²t (A² Sec)			Watts Loss
			Pre-arc	Clearing at 120Vac	Clearing at 240Vac	
6LCT	LCT	6	2	6	9	1.0
10LCT		10	3.8	12	22	2.5
12LCT		12	7	22	32	2.5
16LCT		16	20	50	100	2.5
20LCT		20	25	80	160	4.0
25LET	LET	25	18	120	250	4.0
32LET		32	32	200	450	5.0
35LET		35	50	320	600	5.0
50LET		50	100	500	1400	7.0
63LET		63	180	1100	2200	9.0
80LET		80	300	1900	3800	10.0
100LET		100	600	3800	7500	10.0
125LET		125	600	3800	7500	16.0
160LET		160	1100	7000	16000	20.0
180LET		180	1600	12000	29000	21.0

* Note: 7LET, 10LET, 12LET and 16LET are available for replacement purposes on existing equipment.

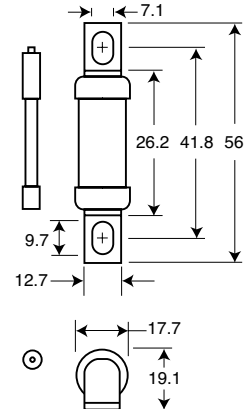
Data Sheets: 720004, 35785296 (LCT), 35785293 (LET)

LCT



1 mm = 0.0394" / 1" = 25.4mm

LET



Indicator (Optional)

British BS 88 Fuses

LMT, LMMT 240V / 160-900A

Specifications

Description: BS 88 style fuses for the protection of DC common bus, DC drives, power converters/rectifiers and reduced voltage starters. Low watts loss in a compact size.

Ratings:

- Volts: — 240Vac/150Vdc
- Amps: — 160-900A
- IR: — 200kA RMS Sym.
- 50kA dc at 150Vdc



Operating Class: aR

Agency Information: CE, Designed and tested to: BS 88 Part 4, IEC 60269 Part 4, UL Recognized. All fuses have been tested at 318Vac. Consult Cooper Bussmann for specific UL Recognition status.

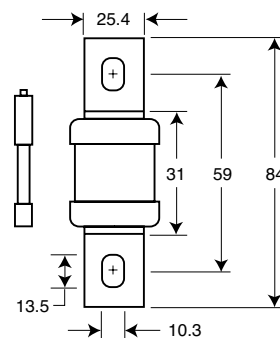
Catalogue Numbers:

Catalogue Numbers	Type	Rated Current RMS-Amps	Pre-arc	I ² t (A ² Sec)		Watts Loss
				Clearing at 120Vac	Clearing at 240Vac	
160LMT	LMT	160	1100	7000	16000	17.0
200LMT		200	1500	10000	20000	28.0
250LMT		250	3200	20000	40000	28.0
315LMT		315	6000	35000	75000	35.0
355LMT		355	8000	50000	100000	35.0
400LMT	LMMT	400	14000	70000	160000	40.0
450LMT		450	18000	100000	220000	42.0
400LMMT		400	6000	35000	80000	60.0
500LMMT		500	14000	80000	170000	64.0
630LMMT		630	24000	150000	300000	75.0
710LMMT		710	32000	200000	460000	77.0
800LMMT		800	52000	300000	600000	82.0
900LMMT		900	75000	400000	800000	97.0

* Note: 7LET, 10LET, 12LET and 16LET are available for replacement purposes on existing equipment.

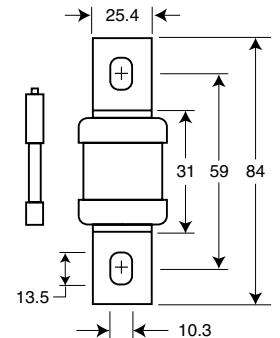
Data Sheets: 720004, 35785294 (LMT), 35785295 (LMMT)

LMT



Indicator (Optional)

LMMT



Indicator (Optional)

British BS 88 Fuses

CT, ET, FE, EET, FEE, FM, FMM, MT, MMT
690V / 6-710A

Specifications

Description: BS 88 style fuses for the protection of DC common bus, DC drives, power converters/rectifiers and reduced voltage starters.

Ratings:

- Volts: — 690Vac (IEC)/500Vdc
- 500Vdc (UL) (350Vdc MT & MMT Series)

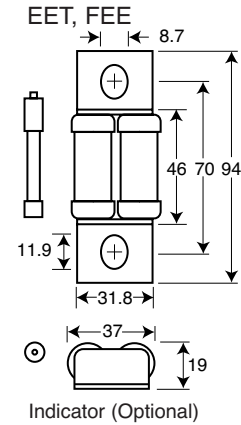
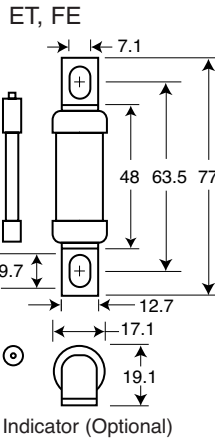
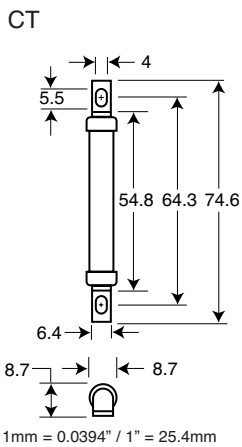
Amps: — 6-710A

- IR: — 200kA RMS Sym.
- 50kA dc at 500V

Operating Class: aR

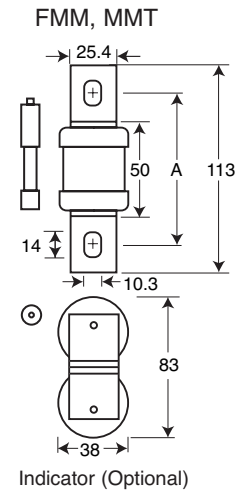
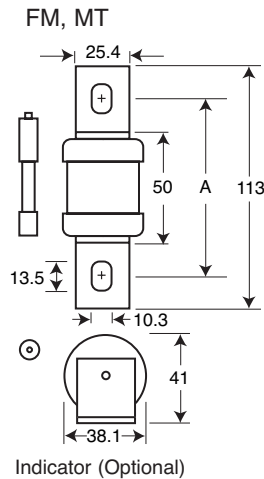
Agency Information: CE, Designed and tested to: BS 88 Part 4, IEC 60269 Part 4, UL Recognized. MT and MMT — 350Vdc (IEC) rating. Consult Cooper Bussmann for UL Recognition status and for DC voltage ratings.

Dimensions (mm):



Figs. 4 & 5 "A" Dimensions

Type	"A"
FM	80-85mm
FMM	80-85mm
MT	85mm
MMT	85mm



British BS 88 Fuses

CT, ET, FE, EET, FEE, FM, FMM,
MT, MMT

690V / 6-710A

Catalogue Numbers

Catalog Numbers	Fuse Type	Electrical Characteristics				
		Rated Current RMS-Amps	I ² t (A ² Sec)			Watts Loss
			Pre-arc	Clearing at 415Vac	Clearing at 660Vac	
6CT	CT	6	1.8	8.5	12	2
10CT		10	7	30	48	3
12CT		12	10	40	65	3
16CT		16	16	66	110	7
20CT		20	32	150	220	7
25ET	ET	25	25	150	250	7
32ET		32	32	190	350	11
35ET		35	52	310	500	11
40ET		40	103	600	900	9
45ET		45	103	680	1100	11
56ET		56	135	950	1500	14
63ET		63	171	1200	2000	16
80ET		80	360	2500	4000	18
35FE	FE	35	33	130	200	9
40FE		40	52	180	300	9
45FE		45	76	270	450	11
50FE		50	103	380	600	11
63FE		63	135	480	750	12
71FE		71	210	600	950	17
80FE		80	250	900	1500	20
90FE		90	360	1300	2100	20
100FE		100	470	1800	2800	23
90EET		EET	90	490	3000	4500
110EET	110		600	4000	6500	27
140EET	140		1050	7000	12000	35
160EET		160	1500	10000	17000	39
100FEE	FEE	100	400	1600	2400	24
120FEE		120	540	1900	3100	32
140FEE		140	850	2500	3800	36
160FEE		160	1000	3700	5700	46
180FEE		180	1400	5300	8400	46
200FEE		200	1900	7100	11400	52
180FM		FM	180	1400	7500	13500
200FM	200		2600	10500	18500	40
225FM	225		3700	14500	26500	44
250FM	250		5200	20500	37500	48
280FM	280		7000	30500	55000	48
315FM	315		10000	40000	77000	55
350FM	350		15000	60000	105000	55
400FMM	FMM	400	10000	40000	72500	85
450FMM		450	15000	60000	105000	90
500FMM		500	20000	82000	150000	100
550FMM		550	30000	120000	215000	100
630FMM		630	45000	180000	310000	100
700FMM		700	60000	245000	420000	120
160MT		MT	160	2400	15000	25000
180MT	180		3800	25000	38000	26
200MT	200		6000	40000	58000	27
250MT	250		11500	80000	110000	32
280MT	280		16500	100000	150000	35
315MT	315		19000	125000	180000	42
355MT	355		22000	160000	200000	51
180MMT	MMT	180	1650	12000	18000	42
200MMT		200	2200	16000	23000	42
225MMT		225	3700	26000	40000	42
280MMT		280	6600	47000	70000	47
315MMT		315	8600	62000	91000	51
355MMT		355	13500	97000	140000	54
400MMT		400	21000	150000	220000	60
450MMT		450	30000	220000	320000	57
500MMT		500	42000	300000	450000	64
560MMT		560	60000	430000	640000	64
630MMT	630	68500	500000	720000	86	
710MMT	710	78000	600000	850000	105	

• Watts loss provided at rated current.

• Note: FC, 8ET, 12ET, 15ET, 20ET, 65EET and 75EET are available for replacement purposes on existing equipment.

Data Sheets: 35785312 (CT, ET), 35785314 (FE, FM), 35785313 (EET, MT), 35785292 (FEE, FMM), 35785311 (MMT)

Ferrule Fuses

FWA

150V /5-30A (10 x 38mm)

35-60A (21 X 51mm)

Specifications

Description: Ferrule style high speed fuses for the protection of DC common bus, DC drives, power converters/rectifiers and reduced voltage starters. Low watts loss in a compact size and used with finger-safe holders/blocks.



Ratings:

Volts: — 150Vac / 150Vdc

Amps: — 5-60A

IR: — 100kA RMS Sym.

— 50kA at 150Vdc

Operating Class: aR

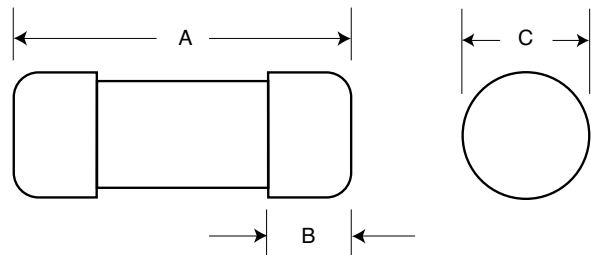
Agency Information: CE, UL Recognition.

Catalogue Numbers:

Catalogue Numbers	Fuse Size	Electrical Characteristics			
		Rated Current RMS-Amps	I ² t (A ² Sec)		Watts Loss
			Pre-arc	Clearing at 150Vac	
FWA-5A10F	10 x 38mm (¹³ / ₃₂ " x 1 1/2")	5	1.6	8	1
FWA-10A10F		10	3.6	16	2.7
FWA-15A10F		15	14	55	3.3
FWA-20A10F		20	33	130	3.8
FWA-25A10F		25	58	220	4.9
FWA-30A10F	30	100	400	4.9	
FWA-35A21F	21 x 51mm (¹³ / ₁₆ " x 2")	35	75	800	4.5
FWA-40A21F		40	100	1000	5.1
FWA-45A21F		45	130	1300	6
FWA-50A21F		50	170	1600	7.3
FWA-60A21F		60	250	2400	8.0

Data Sheets : 720003, 35785317 (5-30A), 35785305 (35-60A)

Dimensions - (in) mm:



Amp Range	A	B	C
5-30	1.5 (38.1)	0.375 (9.5)	0.406 (10.3)
35-60	2.0 (50.8)	0.625 (15.9)	0.811 (20.6)

Ferrule Fuses

FWX

250V (UL) / 1-50A

Specifications

Description: Ferrule style high speed fuses for the protection of DC common bus, DC drives, power converters/rectifiers and reduced voltage starters. Low watts loss in a compact size and used with finger-safe holders/blocks.

Ratings:

Volts: — 250Vac

Amps: — 1-50A

IR: — 200kA RMS Sym.

— 50kA @ 250Vdc

Operating Class: aR

Agency Information: CE, UL Recognition 1-50A & CSA
Component Acceptance: 5-30A.

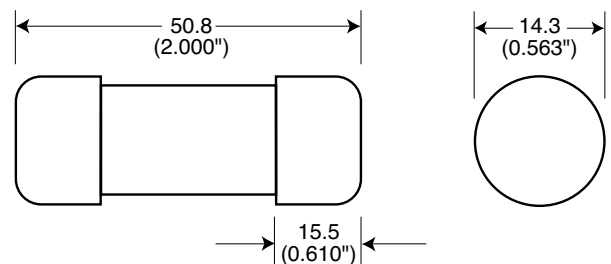
Catalogue Numbers:

Catalogue Number	Fuse Size	Electrical Characteristics			
		Rated Current RMS-Amps	I ² t (A ² Sec)		Watts Loss
			Pre-arc	Clearing at 250Vac	
FWX-1A14F	14 x 51mm	1	0.03	0.4	5.7
FWX-2A14F	(⁹ / ₁₆ " x 2")	2	0.08	0.1	8.6
FWX-3A14F		3	0.11	0.26	2.8
FWX-4A14F		4	0.1	0.23	3.0
FWX-5A14F		5	1.6	13	1.3
FWX-10A14F		10	3.6	24	3.4
FWX-15A14F		15	14	83	3.8
FWX-20A14F		20	33	200	4.6
FWX-25A14F		25	58	300	5.3
FWX-30A14F		30	100	500	5.9
FWX-50A14F		50	200	1800	5.7

Data Sheets: 720006, 35785302



Dimensions mm (in):



Ferrule Fuses

FWH

500V / 0.25-30A (6 x 32 mm)

Specifications

Description: Ferrule style high speed fuses for the protection of DC common bus, DC drives, power converters/rectifiers and reduced voltage starters. Low watts loss in a compact size.



Ratings:

Volts: — 500Vac

Amps: — 0.25-30A

IR: — 50kA at ≥ 20% pf (0.25-20A)

— 20kA at ≥ 20% pf (25-30A)

Operating Class: aR

Agency Information: CE, UL Recognition 0.25-30A, CSA

Component Acceptance: 0.25-7A.

Catalogue Numbers:

Catalogue Numbers	Fuse Size	Electrical Characteristics			
		Rated Current RMS-Amps	I ² t (A ² Sec)		Watts Loss
			Pre-arc	Clearing at 500Vac	
FWH-250A6F	6 x 32mm (1/4" x 1 1/4")	0.25*	0.01	0.05	2.7
FWH-500A6F		0.5*	0.05	0.25	1.2
FWH-001A6F		1*	0.4	2	1.7
FWH-002A6F		2*	1.3	3.5	3.2
FWH-3-15A6F		3.15*	3.1	7.7	2.9
FWH-005A6F		5*	15	40	2.1
FWH-6-30A6F		6.3*	36	90	2.3
FWH-0-7A6F		7*	50	125	2.5
FWH-010A6F		10**	9.9	139	2.86
FWH-12-5A6F		12.5**	20	60	3.53
FWH-015A6F		15**	44	146	3.08
FWH-016A6F		16**	48	177	4.48
FWH-020A6F		20**	75	259	4.26
FWH-025A6F		25**	126	345	—
FWH-030A6F		30**	145	430	—

*300% minimum opening current at rated voltage.

**200% minimum opening current at rated voltage.

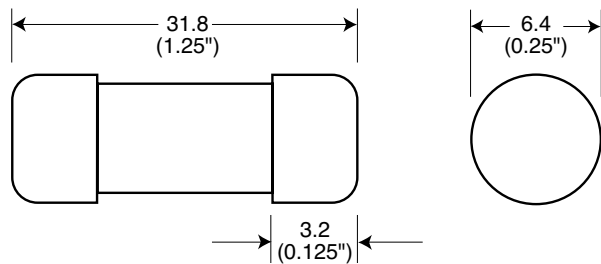
• Consult Cooper Bussmann for dc ratings.

Data Sheets : 720038, 35785256 (0.25-7A), 50955 (10-30A)

Opening Times:

Amp Ratings	150%	200%	300%
0.25-7	> 30 min	< 30 min	≤ 10 sec
10-30	< 30 min	< 30 min	≤ 10 sec

Dimensions - mm (in):



Ferrule Fuses

FWH

500V / 1-30A (14 x 51 mm)

Specifications

Description: Ferrule style high speed fuses for the protection of DC common bus, DC drives, power converters/rectifiers and reduced voltage starters. Low watts loss in a compact size and used with finger-safe holders/blocks.

Ratings:

Volts: — 500Vac
 Amps: — 1-30A
 IR: — 200kA RMS Sym.
 — 50kA @ 500Vdc

Operating Class: aR

Agency Information: CE, UL Recognition 1- 30A & CSA
 Component Acceptance: 5 - 30A.

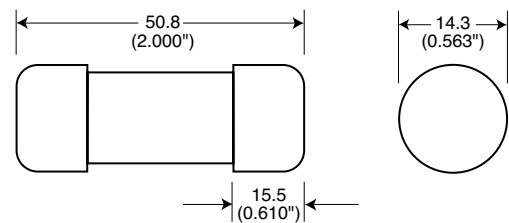
Catalogue Numbers:

Catalogue Numbers	Fuse Size	Electrical Characteristics				Watts Loss
		Rated Current RMS-Amps	I ² t (A ² Sec)			
			Pre-arc	Clearing at 500Vac		
FWH-1A14F	14 x 51mm (⁹ / ₁₆ " x 2")	1	0.03	0.4	5.7	
FWH-2A14F		2	0.08	0.1	8.6	
FWH-3A14F		3	0.11	0.26	2.8	
FWH-4A14F		4	0.1	0.23	3.0	
FWH-5A14F		5	1.6	6.4	1.5	
FWH-6A14F		6	1.6	6.4	1.5	
FWH-10A14F		10	3.6	13	4	
FWH-12A14F		12	—	—	—	
FWH-15A14F		15	8.7	40	5.5	
FWH-20A14F		20	26	105	6	
FWH-25A14F		25	46.5	191	7	
FWH-30A14F		30	58	232	9	

Data sheets: 720008, 35785298



Dimensions mm (in):



Ferrule Fuses

FWC

600V : 1 - 32A

Specifications

Description: Ferrule style high speed fuses for the protection of DC common bus, DC drives, power converters/rectifiers and reduced voltage starters. Low watts loss in a compact size and used with finger-safe holders/blocks.



Ratings:

Volts: — 700Vac

Amps: — 1-32A

IR: — 200kA RMS Sym. @ 600V (6-32A)

— 50kA @ 600Vdc (6-25A)

— 200kA @ 700Vac (1-4A)

— 50kA @ 700Vdc (1-4A)

Operating Class: aR

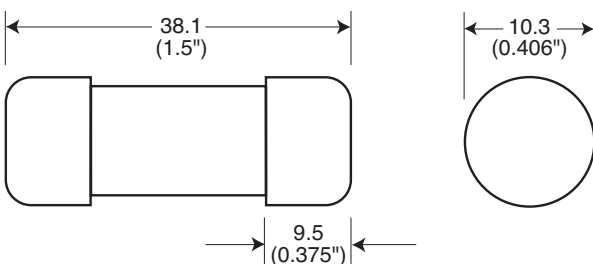
Agency Information: CE, UL Recognition: 6-32A.

Catalogue Numbers:

Catalogue Numbers	Size	Electrical Characteristics				
		Rated Current RMS-Amps	I ² t (A ² Sec)		Watts Loss	Rated voltage
			Pre-arc	Clearing at 600Vac		
FWC-1A10F	10 x 38mm (¹⁹ / ₃₂ " x 1 1/2")	6	0.2	1.2	0.5	700Vdc UL 700Vac UL
FWC-2A10F		8	0.5	3.0	1.2	
FWC-3A10F		6	1.6	11	1.5	
FWC-4A10F		8	5.2	32	1.5	
FWC-6A10F		6	4	30	1.5	600Vac UL 700Vdc UL
FWC-8A10F		8	6	50	2.0	
FWC-10A10F		10	9	70	2.5	
FWC-12A10F		12	15	120	3.0	
FWC-16A10F		16	25	150	3.5	
FWC-20A10F		20	34	260	4.8	
FWC-25A10F		25	60	390	6.0	
FWC-32A10F		32	95	600	7.5	

Data Sheets : 720011, 35785306

Dimensions mm (in):



Ferrule Fuses

FWP

**690/700V (IEC/UL):
5-50A (14 x 51mm)**

Specifications

Description: Ferrule style high speed fuses for the protection of DC common bus, DC drives, power converters/rectifiers and reduced voltage starters. Low watts loss in a compact size and used with finger-safe holders/blocks. Available with or without striker for remote indication.



Ratings:

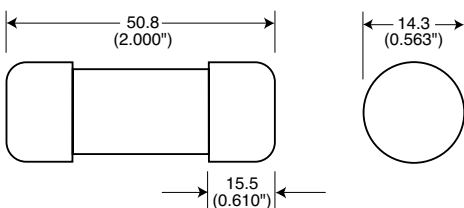
- Volts: — 690Vac (IEC) / 700Vac (UL)
- Amps: — 1-50A (14x51)
- IR: — 200kA RMS Sym.
- 50kA @ 700Vdc

Operating Class: aR

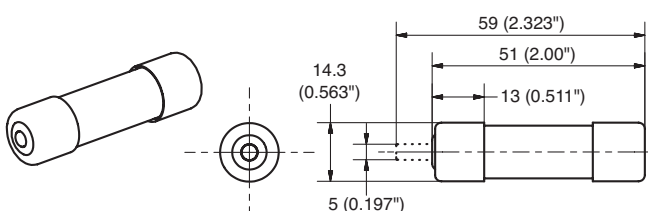
Agency Information: CE, UL Recognition, CSA Component Acceptance for versions without striker only.

Dimensions - mm (in):

14 x 51 - Without Striker



14 x 51 - With Striker



Catalogue Numbers	Fuse Size	Rated Current RMS-Amps	Electrical Characteristics		Watts Loss
			I ² t (A ² Sec)		
			Minimum Melting	Clearing At Rated Voltage	
Without Striker	14 x 51mm (⁹ / ₁₆ " x 2")	1	0.035	0.41	5.7
FWP-1A14F		2	0.08	0.11	8.7
FWP-2A14F		2.5	—	—	—
FWP-2.5A14F		3	0.11	0.26	2.8
FWP-3A14F		4	0.1	0.23	3.0
FWP-4A14F		5	1.6	11.0	1.5
FWP-5A14F		10	3.6	38.5	4
FWP-10A14F		15	8.6	70	5.5
FWP-15A14F		20	26.0	230	6
FWP-20A14F		25	46.5	375	7
FWP-25A14F		30	58	485	9
FWP-30A14F		32	68	600	7.6
FWP-32A14F		40	84	750	8
FWP-40A14F		50	200	1800	9
With Striker	14 x 51mm (⁹ / ₁₆ " x 2")	10	3.6	38.5	4
FWP-10A14FI		15	8.6	70	5.5
FWP-15A14FI		20	26.0	230	6
FWP-20A14FI		25	46.5	375	7
FWP-25A14FI		30	58	485	9
FWP-30A14FI		32	68	600	7.6
FWP-32A14FI		40	84	750	8
FWP-40A14FI	50	200	1800	9	

Data Sheets: E5781724, 720025

Ferrule Fuses

FWP

690/700V (IEC/UL): 20-100A (22 x 58mm)

Specifications

Description: Ferrule style high speed fuses for the protection of DC common bus, DC drives, power converters/rectifiers and reduced voltage starters. Low watts loss in a compact size and used with finger-safe holders/blocks. Available with or without striker for remote indication.



Ratings:

Volts: — 690Vac (IEC) / 700Vac (UL)

Amps: — 20-100(22x58)

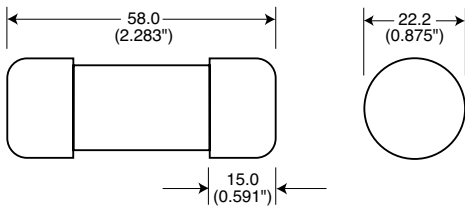
IR: — 200kA RMS Sym.

— 50kA @ 700Vdc

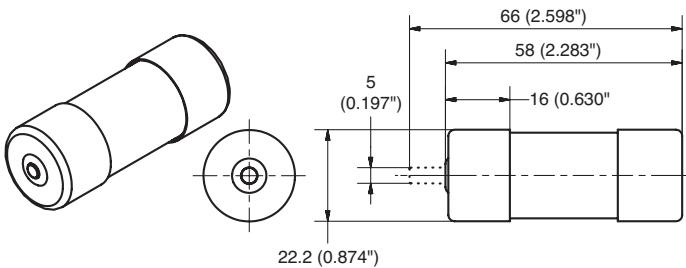
Operating Class: aR

Agency Information: CE, UL Recognition, CSA Component Acceptance for versions without striker only.

22 x 58 - Without Striker



22 x 58 - With Striker



Catalogue Numbers	Fuse Size	Rated Current RMS-Amps	Electrical Characteristics		Watts Loss	
			I ² t (A ² Sec)			
			Minimum Melting	Clearing At Rated Voltage		
Without Striker						
FWP-20A22F	22 x 58mm (7/8" x 2 ⁹ / ₃₂ " ¹¹)	20	19.0	260	5	
FWP-25A22F		25	34.0	410	6	
FWP-32A22F		32	53.5	605	8	
FWP-40A22F		40	68	750	9	
FWP-50A22F		50	135	1600	9.5	
FWP-63A22F		63	280	3080	11	
FWP-80A22F		80	600	6600	13.5	
FWP-100A22F		100*	1100	12500	16	
With Striker						
FWP-20A22FI		22 x 58mm (7/8" x 2 ⁹ / ₃₂ " ¹¹)	20	19.0	260	5
FWP-25A22FI	25		34.0	410	6	
FWP-32A22FI	32		53.5	605	8	
FWP-40A22FI	40		68	750	9	
FWP-50A22FI	50		135	1600	9.5	
FWP-63A22FI	63		280	3080	11	
FWP-80A22FI	80		600	6600	13.5	
FWP-100A22FI	100*		1100	12500	16	

*IEC/UL Voltage rating 600/700

Data Sheets: E5781723, 720026

Ferrule Fuses

FWK

750V / 5-30A (20 x 127mm)

35-60A (25 x 146mm)

Specifications

Description: Ferrule style high speed fuses for the protection of DC common bus, DC drives, power converters/rectifiers and reduced voltage starters. Low watts loss in a compact size.

Ratings:

Volts: — 750Vac

— 750Vdc (Time constant = 10-15 mS)

Amps: — 5-60A

IR: — 50kA RMS Sym.

Operating Class: aR

Agency Information: CE

Catalogue Numbers:

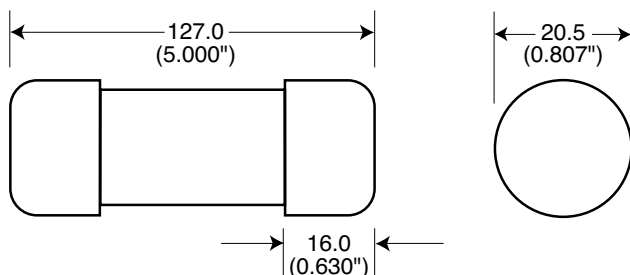


Catalogue Numbers	Fuse Size	Electrical Characteristics			
		Rated Current RMS-Amps	I ² t (A ² Sec)		Watts Loss
			Pre-arc	Clearing at 750Vdc	
FWK-5A20F	20 x 127mm (¹⁹ / ₁₆ " x 5")	5	8.5	16	6.7
FWK-8A20F		8	50	100	8.8
FWK-10A20F		10	95	200	8.5
FWK-15A20F		15	100	240	5
FWK-20A20F		20	125	315	7.8
FWK-25A20F		25	400	1100	6.5
FWK-30A20F		30	800	2600	6.5
FWK-35A25F	25 x 146mm (1" x 5 ⁷ / ₁₆ ")	35	1300	4300	6.7
FWK-40A25F		40	1600	5300	6.8
FWK-50A25F		50	3100	12000	7.3
FWK-60A25F		60	5900	24000	7.7

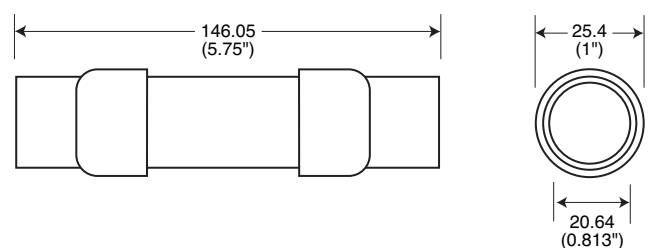
Data Sheets : 720039 , 35785031

Dimensions - mm (in):

5-30A



35-60A



Ferrule Fuses

FWJ

1000V / 20-30A

Specifications

Description: Ferrule style high speed fuses for the protection of DC common bus, DC drives, power converters/rectifiers and reduced voltage starters. Low watts loss in a compact size.

Ratings:

Volts: — 1000Vac / 800Vdc

Amps: — 20-30A

IR: — 25kA RMS Sym.

— 20kA @ 800Vdc

Operating Class: aR

Agency Information: CE, UL Recognized

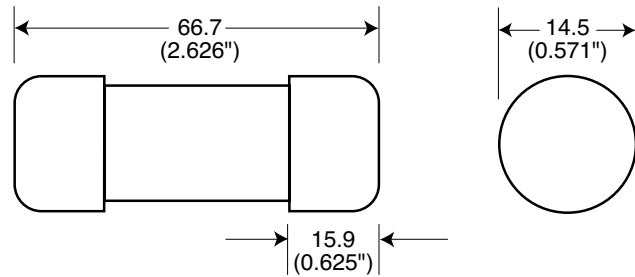
Catalogue Numbers:

Catalogue Numbers	Fuse Size	Electrical Characteristics			
		Rated Current RMS-Amps	I ² t (A ² Sec)		Watts Loss
			Pre-arc	Clearing at 1000V	
FWJ-20A14F	14 x 67mm	20	25	220	9
FWJ-25A14F	14 x 67mm (⁹ / ₁₆ " x 2 ⁵ / ₈ "	25	33	350	11
FWJ-30A14F		30	52	450	14

Data sheets : 720040, 35785109



Dimensions - mm (in):



Ferrule Fuses

FWL

1250V / 20-30A

Specifications

Description: Ferrule style high speed fuses for the protection of DC common bus, DC drives, power converters/rectifiers and reduced voltage starters. Low watts loss in a compact size. Available with indicator.

Ratings:

Volts: — 1250Vac / 1000Vdc

Amps: — 2-30A

IR: — 50kA RMS Sym.

— 50kA @ 1000Vdc

Operating Class: gR

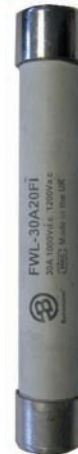
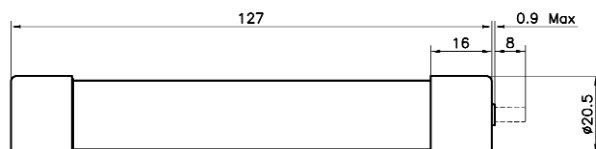
Agency Information: CE

Catalogue Numbers:

Catalogue Numbers	Catalogue Numbers with indicator	Fuse Size	Electrical Characteristics			
			Rated Current RMS-Amps	I ² t (A ² Sec)		Watts Loss
				Pre-arc	Clearing at 1000Vdc	
FWL-20A20F	FWL-20A20FI	20 x 127mm (¹³ / ₁₆ " x 5")	20	675	1550	5.9
FWL-25A20F	FWL-25A20FI		25	1200	2760	6.5
FWL-30A20F	FWL-30A20FI		30	1850	4300	7.5

Data Sheets : 720040, 35785109

Dimensions - mm (in):



Ferrule Fuses

FWS

1400V / 8 - 15A

2000V / 2 - 6A

Specifications

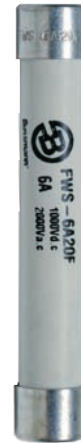
Description: Ferrule style high speed fuses for the protection of DC common bus, DC drives, power converters/rectifiers and reduced voltage starters. Low watts loss in a compact size. Available with indicator.

Ratings:

- Volts: — 1400Vac / 1000Vdc (8-15A)
- 2000Vac / 1000Vdc (2-6A)

Amps: — 2-15A

- IR: — 50kA RMS Sym.
- 50kA @ 1000Vdc



Operating Class: gR

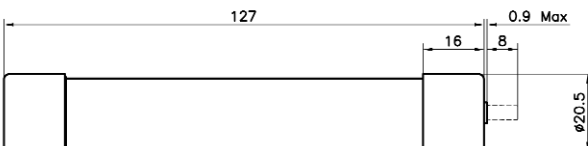
Agency Information: CE

Catalogue Numbers:

Catalogue Numbers	Catalogue Numbers with indicator	Fuse Size	Electrical Characteristics			
			Rated Current RMS-Amps	I ² t (A ² Sec)		Watts Loss
				Clearing Pre-arc	Watts at 1000Vdc	
FWS-2A20F	FWS-2A20FI	20 x 127mm (¹⁹ / ₁₆ " x 5")	2	0.8	2.4	4.4
FWS-6A20F	FWS-6A20FI		6	27	81	6.7
FWS-8A20F	FWS-8A20FI		8	64	192	7.6
FWS-10A20F	FWS-10A20FI		10	118	277	3.0
FWS-12A20F	FWS-12A20FI		12	170	380	3.4
FWS-15A20F	FWS-15A20FI		15	209	500	5.0

Data Sheets : 720040 , 35785109

Dimensions - mm (in):



Square Body Fuses

DIN 43 653

690V - 700V (IEC/UL) / 10- 400A

Specifications

Description: Square body DIN 43 653 stud mount high speed fuses, size 000/80 for the protection of DC common bus, DC drives, power converters/rectifiers and reduced voltage starters

Ratings:

Volts: — 690Vac (IEC)
— 700Vac (UL)

Amps: — 10-400A

IR: — 200kA RMS Sym.

Operating Class: aR

gR - size 000 (10-63A), size 00 (10-80A)

Agency Information: CE, Designed and tested to IEC 60269:

Part 4, UL Recognized. UL Recognition/CSA Component Acceptance on Size 000.

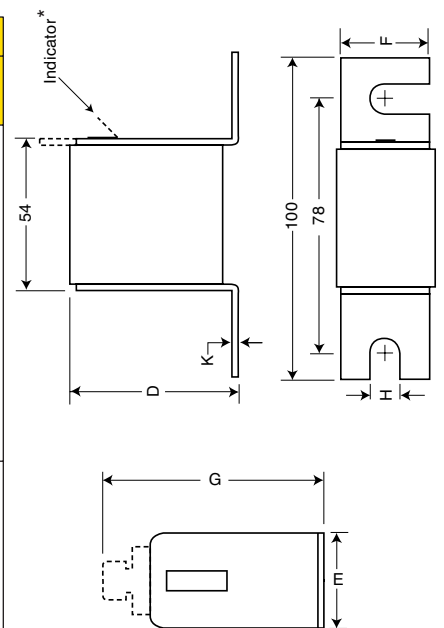
Catalogue Numbers:

Catalogue Numbers			Fuse Size	Electrical Characteristics			
-U/80 Without Indicator	-/80 Visual Indicator	-TN/80 Type T Indicator for Micro		Rated Current RMS-Amps	I ² t (A ² Sec)		Watts Loss
					Pre-arc	Clearing at 660V	
170M1308	170M1358	170M1408	000	10	3.8	25.5	3
170M1309	170M1359	170M1409		16	7.2	48	5.5
170M1310	170M1360	170M1410		20	11.5	78	7
170M1311	170M1361	170M1411		25	19	130	9
170M1312	170M1362	170M1412		32	40	270	10
170M1313	170M1363	170M1413		40	69	460	12
170M1314	170M1364	170M1414		50	115	770	15
170M1315	170M1365	170M1415		63	215	1450	16
170M1316	170M1366	170M1416		80	380	2550	19
170M1317	170M1367	170M1417		100	695	4650	24
170M1318	170M1368	170M1418		125	1200	8500	28
170M1319	170M1369	170M1419		160	2300	16000	32
170M1320	170M1370	170M1420		200	4200	28000	37
170M1321	170M1371	170M1421		250	7750	51500	42
170M1322	170M1372	170M1422	315	12000	80500	52	
	170M2608	170M2658	00	25	19	130	6
	170M2609	170M2659		32	28.5	195	7
	170M2610	170M2660		40	50	360	9
	170M2611	170M2661		50	95	640	10
	170M2612	170M2662		63	170	1200	12
	170M2613	170M2663		80	310	2100	15
	170M2614	170M2664		100	620	4150	20
	170M2615	170M2665		125	1000	6950	25
	170M2616	170M2666		160	1900	13000	30
	170M2617	170M2667		200	3400	23000	35
	170M2618	170M2668		250	6250	42000	45
	170M2619	170M2669		315	10000	68500	55
	170M2620	170M2670		350	13500	91500	60
	170M2621	170M2671		400	18000	125000	70

Data sheets: 170K6310 (Size 000), 170K6312 (Size 00)



Dimensions (mm):



* Indication for Size 00 fuses is a red pin.

Type -U/80, -/80, -TN/80

Size	D	E	F	G	H	K
000	40	21	20	51	8	2
00	51	30	28	67	10	2

1mm = 0.0394" / 1" = 25.4mm

Square Body Fuses

DIN 43 653

690V - 700V (IEC/UL) / 40 - 2000A

Specifications

Description: Square body DIN 43 653 stud mount high speed fuses, for the protection of DC common bus, DC drives, power converters/rectifiers and reduced voltage starters.

Ratings:

- Volts: — 690Vac (IEC)
- 700Vac (UL)

Amps: — 40-2000A

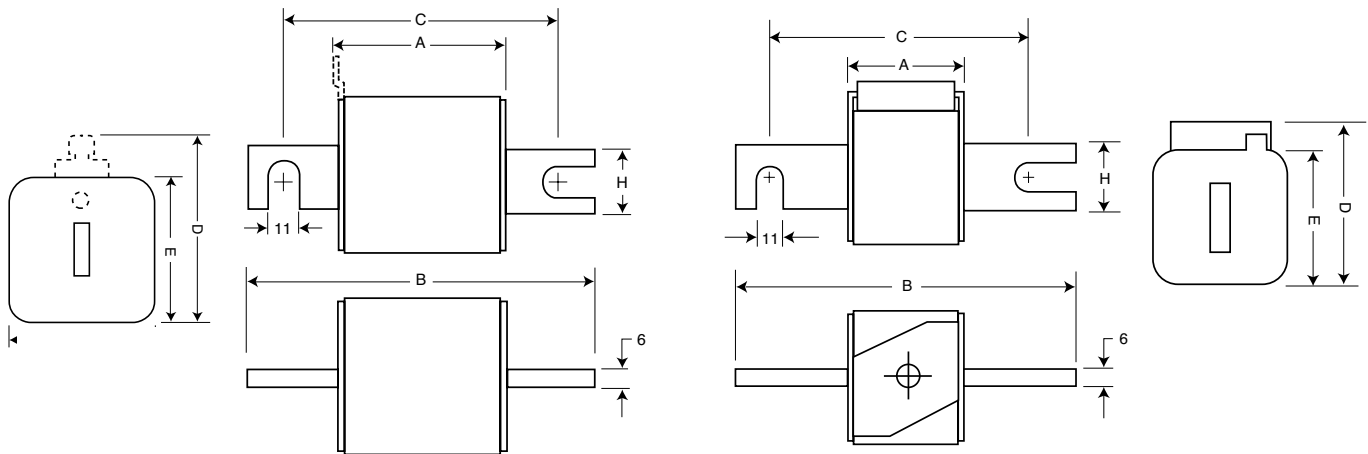
IR: — 200kA RMS Sym.

Agency Information: CE, Designed and tested to IEC 60269: Part 4, UL Recognized. Consult Cooper Bussmann for UL Recognition/CSA Component Acceptance status.

Operating Class: aR

Catalogue Numbers: See next page

Dimensions (mm):



Type -/80, -TN/80, -/110, -TN/110.

Size	A	B	B**	C	C**	D***	E	H
1*	50	104	134	78	108	58	45	22
1	50	108	138	78	108	66	53	25
2	50	108	138	78	108	75	61	25
3	51	109	139	78	108	90	76	30

**Valid for fuses type -/110, -TN/110.
***Valid for Microswitch.
1mm = 0.0394" / 1" = 25.4mm

Type -KN/80, -KN/110

Size	A	B	B**	C	C**	D	E	H
1*	50	104	134	78	108	59	45	22
1	50	108	138	78	108	69	53	25
2	50	108	138	78	108	77	61	25
3	51	109	139	78	108	92	76	30

**Valid for fuse type -KN/110.
1mm = 0.0394" / 1" = 25.4mm

Square Body Fuses

DIN 43 653

690V - 700V (IEC/UL) / 40 - 2000A

Catalogue Numbers:

Catalogue Numbers						Fuse Size	Electrical Characteristics				
-/80 Visual Indicator	-TN/80 Type T Indicator for Micro	-KN/80 Type K Indicator for Micro	-/110 Visual Indicator	-TN/110 Type T Indicator for Micro	-KN/110 Type K Indicator for Micro		Rated Current RMS-Amps	I ² t (A ² Sec)		Watts Loss	
								Pre-arc	Clearing at 660V		
170M3008	170M3058	170M3108	170M3158	170M3208	170M3258	1*	40	40	270	9	
170M3009	170M3059	170M3109	170M3159	170M3209	170M3259		50	77	515	11	
170M3010	170M3060	170M3110	170M3160	170M3210	170M3260		63	115	770	14	
170M3011	170M3061	170M3111	170M3161	170M3211	170M3261		80	185	1250	18	
170M3012	170M3062	170M3112	170M3162	170M3212	170M3262		100	360	2450	21	
170M3013	170M3063	170M3113	170M3163	170M3213	170M3263		125	550	3700	26	
170M3014	170M3064	170M3114	170M3164	170M3214	170M3264		160	1100	7500	30	
170M3015	170M3065	170M3115	170M3165	170M3215	170M3265		200	2200	15000	35	
170M3016	170M3066	170M3116	170M3166	170M3216	170M3266		250	4200	28500	40	
170M3017	170M3067	170M3117	170M3167	170M3217	170M3267		315	7000	46500	50	
170M3018	170M3068	170M3118	170M3168	170M3218	170M3268		350	10000	68500	55	
170M3019	170M3069	170M3119	170M3169	170M3219	170M3269		400	15000	105000	60	
170M3020	170M3070	170M3120	170M3170	170M3220	170M3270		450	21000	140000	65	
170M3021	170M3071	170M3121	170M3171	170M3221	170M3271		500	27000	180000	70	
170M3022	170M3072	170M3122	170M3172	170M3222	170M3272		550	34000	230000	75	
170M3023	170M3073	170M3123	170M3173	170M3223	170M3273		630	48500	325000	80	
170M4008	170M4058	170M4108	170M4158	170M4208	170M4258	1	200	1650	11500	45	
170M4009	170M4059	170M4109	170M4159	170M4209	170M4259		250	3100	21000	55	
170M4010	170M4060	170M4110	170M4160	170M4210	170M4260		315	6200	42000	58	
170M4011	170M4061	170M4111	170M4161	170M4211	170M4261		350	8500	59000	60	
170M4012	170M4062	170M4112	170M4162	170M4212	170M4262		400	13500	91500	65	
170M4013	170M4063	170M4113	170M4163	170M4213	170M4263		450	17000	120000	70	
170M4014	170M4064	170M4114	170M4164	170M4214	170M4264		500	25000	170000	72	
170M4015	170M4065	170M4115	170M4165	170M4215	170M4265		550	34000	230000	75	
170M4016	170M4066	170M4116	170M4166	170M4216	170M4266		630	52000	350000	80	
170M4017	170M4067	170M4117	170M4167	170M4217	170M4267		700	69500	465000	85	
170M4018	170M4068	170M4118	170M4168	170M4218	170M4268		800	105000	725000	95	
170M4019	170M4069	170M4119	170M4169	170M4219	170M4269		900	155000	1050000	100	
170M5008	170M5058	170M5108	170M5158	170M5208	170M5258		2	400	11000	74000	65
170M5009	170M5059	170M5109	170M5159	170M5209	170M5259			450	15500	105000	70
170M5010	170M5060	170M5110	170M5160	170M5210	170M5260			500	21500	145000	75
170M5011	170M5061	170M5111	170M5161	170M5211	170M5261			550	28000	190000	80
170M5012	170M5062	170M5112	170M5162	170M5212	170M5262	630		41000	275000	90	
170M5013	170M5063	170M5113	170M5163	170M5213	170M5263	700		60500	405000	95	
170M5014	170M5064	170M5114	170M5164	170M5214	170M5264	800		86000	575000	105	
170M5015	170M5065	170M5115	170M5165	170M5215	170M5265	900		125000	840000	110	
170M5016	170M5066	170M5116	170M5166	170M5216	170M5266	1000		180000	1250000	115	
170M5017	170M5067	170M5117	170M5167	170M5217	170M5267	†1100		245000	1600000	120	
170M5018	170M5068	170M5118	170M5168	170M5218	170M5268	†1250		365000	2400000	130	
170M6008	170M6058	170M6108	170M6158	170M6208	170M6258	3		500	14000	95000	95
170M6009	170M6059	170M6109	170M6159	170M6209	170M6259			550	19500	135000	100
170M6010	170M6060	170M6110	170M6160	170M6210	170M6260			630	31000	210000	105
170M6011	170M6061	170M6111	170M6161	170M6211	170M6261			700	44500	300000	110
170M6012	170M6062	170M6112	170M6162	170M6212	170M6262			800	69500	465000	115
170M6013	170M6063	170M6113	170M6163	170M6213	170M6263		900	100000	670000	120	
170M6014	170M6064	170M6114	170M6164	170M6214	170M6264		1000	140000	945000	125	
170M6015	170M6065	170M6115	170M6165	170M6215	170M6265		1100	190000	1300000	130	
170M6016	170M6066	170M6116	170M6166	170M6216	170M6266		1250	290000	1950000	140	
170M6017	170M6067	170M6117	170M6167	170M6217	170M6267		1400	370000	2450000	155	
170M6018	170M6068	170M6118	170M6168	170M6218	170M6268		1500	460000	3100000	160	
170M6019	170M6069	170M6119	170M6169	170M6219	170M6269		1600	580000	3900000	160	
170M6020	170M6070	170M6120	170M6170	170M6220	170M6270		†1800	880000	†5250000	165	
170M6021	170M6071	170M6121	170M6171	170M6221	170M6271		†2000	1150000	†6350000	175	

†Rated voltage (IEC) 600V.

rRated voltage (IEC) 550V.

Data Sheets: 170K6314 (Size 1*), 170K6316 (Size 1), 170K6318 (Size 2), 170K6320 (Size 3)

Square Body Fuses

DIN 43 653
1000V (IEC) / 20-315A

Specifications

Description: Square body DIN 43 653 stud mount high speed fuses, for the protection of DC common bus, DC drives, power converters/rectifiers and reduced voltage starters.

Ratings:

- Volts: – 1000Vac (20-250A)
- 900Vac (315A)
- Amps: – 20-315A
- IR: – 125kA RMS Sym.



Operating Class: aR

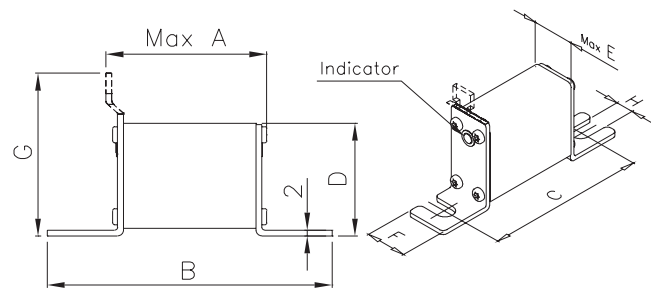
Agency Information: CE, Designed and tested to IEC 60269: Part 4, UL Recognized.

Catalogue Numbers:

Catalogue Numbers		Electrical Characteristics					
00/80 Visual Indicator	00TN/80 Type T Indicator for Micro	Fuse Size	Rated Voltage	Rated Current RMS Amps	I ² t (A ² Sec)		Watts Loss
					Pre-arc	Clearing at Rated Voltage	
170M4802	170M4822	00	1000	20	20	140	5
170M4803	170M4823		1000	25	30	210	7
170M4804	170M4824		1000	32	55	390	9
170M4805	170M4825		1000	35	69	500	10
170M4806	170M4826		1000	40	100	690	11
170M4807	170M4827		1000	50	170	1200	13
170M4808	170M4828		1000	63	280	2000	18
170M4809	170M4829		1000	80	500	3500	22
170M4810	170M4830		1000	100	950	6850	25
170M4811	170M4831		1000	125	1500	11500	33
170M4812	170M4832		1000	160	3000	22000	37
170M4813	170M4833		1000	200	5600	40500	40
170M4814	170M4834		1000	250	10000	74000	48
170M4815	170M4835		900	315	18000	115000	58

Data Sheets: 170K8504

Dimensions (mm):



Type 00TN/80 – 00/80

Size	Max A	B	C	D	Max E	F	G	H
00/80	54	98	78	51	30	28	*	10
00TN/80	54	98	78	51	30	28	67	10

1mm = 0.0394" / 1" = 25.4mm
* Only applies to the Type T Indicator

Square Body Fuses

DIN 43 653

1000V (IEC) / 50-1400A

Specifications

Description: Square body DIN 43 653 stud mount high speed fuses, for the protection of DC common bus, DC drives, power converters/rectifiers and reduced voltage starters.

Ratings:

Volts: — 1000Vac

Amps: — 50-1400A

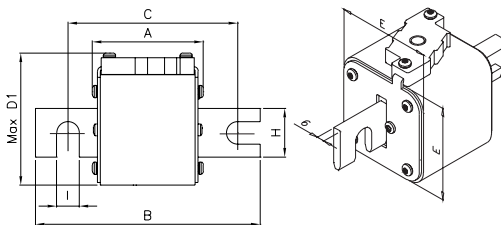
IR: — 125kA RMS Sym.

Operating Class: aR

Agency Information: CE, Designed and tested to IEC 60269: Part 4, UL Recognized (only sizes 2 & 3)

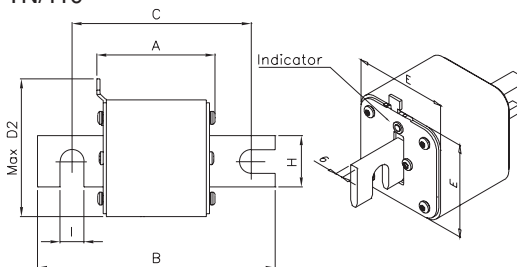
Dimensions (mm):

Type-KN/110



Size	A	B	C	Max D1	E	G	H	I
1*KN/110	80	138	108	61	43	6	22	11
1KN/110	80	138	108	69	51	6	25	11
2KN/110	80	138	108	77	59	6	25	11
3KN/110	81	139	108	92	74	6	30	11

Type-TN/110



Size	A	B	C	Max D2	E	G	H	I
1*TN/110	80	138	108	61	43	6	22	11
1TN/110	80	138	108	69	51	6	25	11
2TN/110	80	138	108	75	59	6	25	11
3TN/110	81	139	108	90	74	6	30	11

1mm = 0.0394" / 1" = 25.4mm



Catalogue Numbers:

Catalogue Numbers		Fuse Size	Rated Voltage	Rated Current RMS Amps	Electrical Characteristics		Watts Loss
-KN/110 Type K Indicator for Micro	-TN/110 Type T Indicator for Micro				I ² t (A ² Sec)	Clearing at Rated Voltage	
170M3965	170M3981	1*	1000	50	135	815	20
170M3966	170M3982		1000	63	215	1300	25
170M3967	170M3983		1000	80	460	2750	30
170M3968	170M3984		1000	100	860	5100	35
170M3969	170M3985		1000	125	1450	8600	40
170M3970	170M3986		1000	160	2850	17500	45
170M3971	170M3987		1000	200	4950	29500	48
170M3972	170M3988		1000	250	9550	57000	50
170M3973	170M3989		1000	315	21500	130000	60
170M3974	170M3990		1000	350	29000	175000	65
170M3975	170M3991	1000	400	42000	250000	70	
170M4965	170M4980	1	1000	160	2200	13500	40
170M4966	170M4981		1000	200	4150	24500	45
170M4967	170M4982		1000	250	7750	46000	52
170M4968	170M4983		1000	315	16500	98500	60
170M4969	170M4984		1000	350	21500	130000	65
170M4970	170M4985		1000	400	31000	185000	70
170M4971	170M4986		1000	450	44500	265000	80
170M4972	170M4987		1000	500	63000	375000	85
170M4973	170M4988		1000	550	84500	500000	90
170M4974	170M4989		1000	630	125000	755000	98
170M5966	170M5981	2	1000	250	6750	40000	65
170M5967	170M5982		1000	315	13500	81500	75
170M5968	170M5983		1000	350	16500	99000	80
170M5969	170M5984		1000	400	26000	155000	85
170M5970	170M5985		1000	450	35500	210000	90
170M5971	170M5986		1000	500	49500	295000	95
170M5972	170M5987		1000	550	66000	390000	100
170M5973	170M5988		1000	630	93500	555000	110
170M5974	170M5989		1000	700	130000	770000	115
170M5975	170M5990		1000	800	195000	1200000	125
170M8614	170M8629	3	1000	315	9200	54500	90
170M8615	170M8630		1000	350	13000	77500	95
170M8616	170M8631		1000	400	19000	115000	105
170M8617	170M8632		1000	450	27000	160000	107
170M8618	170M8633		1000	500	37500	225000	110
170M8619	170M8634		1000	550	52000	310000	115
170M8620	170M8635		1000	630	82500	490000	120
170M8621	170M8636		1000	700	115000	700000	125
170M8622	170M8637		1000	800	170000	1050000	135
170M8623	170M8638		1000	900	250000	1500000	145
170M8624	170M8639	1000	1000	340000	2050000	150	
170M8625	170M8640	1000	1100	460000	2750000	155	
170M8626	170M8641	1000	1250	575000	3400000	175	
170M8627	170M8642	900	1400	795000	4200000	185	

* Watts loss provided at rated current.

Data Sheets: 170K8564 (Size 1*), 170K8566 (Size 1), 170K8568 (Size 2), 170K8570 (Size 3)

Square Body Fuses

DIN 43 653

1250V - 1300V (IEC/UL) / 50-1400A

Specifications

Description: Square body DIN 43 653 stud mount high speed fuses, for the protection of DC common bus, DC drives, power converters/rectifiers and reduced voltage starters.

Ratings:

- Volts: — 1250Vac (IEC)
- 1300Vac (UL)

Amps: — 50-1400A

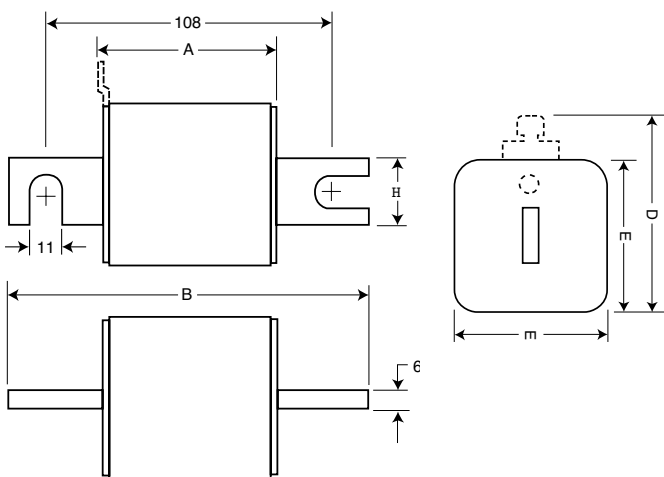
IR: — 100kA RMS Sym

Operating Class: aR

Agency Information: CE, Designed and tested to IEC 60269: Part 4, UL Recognized. Consult Cooper Bussmann for UL Recognition/CSA Component Acceptance status.

Catalog Numbers: See next page

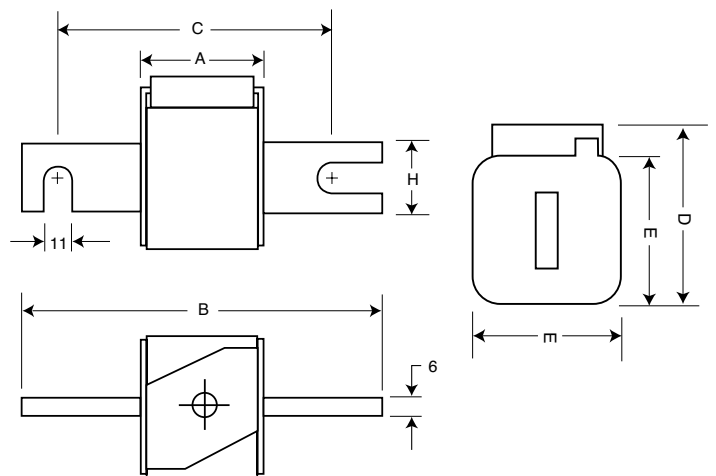
Dimensions (mm):



Type -/110, -TN/110

Size	A	B	D**	E	H
1*	80	138	58	45	20
1	80	138	66	53	25
2	80	138	75	61	25
3	81	139	90	76	30

**clip on Microswitch.
1mm = 0.0394" / 1" = 25.4mm



Type -KN/110.

Size	A	B	D	E	H
1*	80	138	60	45	20
1	80	138	69	53	25
2	80	138	77	61	25
3	81	139	92	76	30

1mm = 0.0394" / 1" = 25.4mm



Square Body Fuses

DIN 43 653

1250V - 1300V (IEC/UL) / 50-1400A

Catalogue Numbers:

Catalogue Numbers			Fuse Size	Electrical Characteristics				
-/110 Visual Indicator	-TN/110 Type T Indicator for Micro	-KN/110 Type K Indicator for Micro		Rated Current RMS-Amps	I ² t (A ² Sec)			Watts Loss
					Pre-arc	Clearing at 1000V	Clearing at 1250V	
170M3138	170M3188	170M3238	1*	50	135	815	1100	15
170M3139	170M3189	170M3239		63	215	1300	1750	20
170M3140	170M3190	170M3240		80	420	2500	3350	25
170M3141	170M3191	170M3241		100	750	4450	5950	30
170M3142	170M3192	170M3242		125	1450	9000	11500	35
170M3143	170M3193	170M3243		160	2600	16000	21000	40
170M3144	170M3194	170M3244		200	5150	31000	41000	45
170M3145	170M3195	170M3245		250	9200	54500	73000	55
170M3146	170M3196	170M3246		315	18500	115000	150000	60
170M3147	170M3197	170M3247		350	27000	165000	220000	65
170M3148	170M3198	170M3248	400	53000	265000	335000	70	
170M4138	170M4188	170M4238	1	160	1900	11500	15500	45
170M4139	170M4189	170M4239		200	3800	22500	30000	50
170M4140	170M4190	170M4240		250	7750	46000	61500	60
170M4141	170M4191	170M4241		315	15000	90000	120000	65
170M4142	170M4192	170M4242		350	20000	125000	165000	70
170M4143	170M4193	170M4243		400	29500	175000	235000	75
170M4144	170M4194	170M4244		450	42000	250000	335000	80
170M4145	170M4195	170M4245		500	69500	340000	435000	85
170M4146	170M4196	170M4246		550	95000	465000	590000	95
170M4147	170M4197	170M4247		†630	130000	660000	860000	100
170M5138	170M5188	170M5238	2	250	6500	38500	51500	65
170M5139	170M5189	170M5239		280	9350	55500	74500	70
170M5140	170M5190	170M5240		315	13000	77500	105000	75
170M5141	170M5191	170M5241		350	16500	97500	135000	80
170M5142	170M5192	170M5242		400	23000	140000	180000	85
170M5143	170M5193	170M5243		450	34000	205000	270000	90
170M5144	170M5194	170M5244		500	48000	285000	380000	95
170M5145	170M5195	170M5245		550	62000	370000	495000	100
170M5146	170M5196	170M5246		630	115000	575000	730000	110
170M5147	170M5197	170M5247		700	160000	795000	1050000	115
170M5148	170M5198	170M5248	800	245000	1200000	1550000	120	
170M5149	170M5199	170M5249	†900	360000	1750000	2300000	125	
170M5150	170M5200	170M5250	†1000	480000	2350000	3050000	135	
170M6138	170M6188	170M6238	3	315	9500	58000	77500	85
170M6139	170M6189	170M6239		350	13500	81500	110000	90
170M6140	170M6190	170M6240		400	19500	120000	160000	95
170M6141	170M6191	170M6241		450	31000	185000	245000	100
170M6142	170M6192	170M6242		500	39000	235000	310000	105
170M6143	170M6193	170M6243		550	55000	325000	435000	110
170M6144	170M6194	170M6244		630	83500	495000	665000	115
170M6145	170M6195	170M6245		700	115000	705000	940000	120
170M6146	170M6196	170M6246		800	205000	995000	1300000	125
170M6147	170M6197	170M6247		900	305000	1500000	1900000	130
170M6148	170M6198	170M6248	1000	450000	2150000	2750000	135	
170M6149	170M6199	170M6249	1100	575000	2800000	3600000	140	
170M6150	170M6200	170M6250	†1250	810000	3950000	5100000	145	
170M6151	170M6201	170M6251	†1400	1250000	6000000	7850000	150	

†Rated voltage (IEC) 1100V.

- Watts loss provided at rated current.

Data Sheets: 170K6630 (Size 1*), 170K6632 (Size 1), 170K6634 (Size 2), 170K6636 (Size 3)

Square Body Fuses

DIN 43 620 - Full Range (gR)
690V (IEC) / 10-800A

Specifications

Description: Square body DIN 43 620 blade style high speed fuses. Full range protection fuses providing both overload and short-circuit protection.

Ratings:

Volts: — 690Vac (IEC)

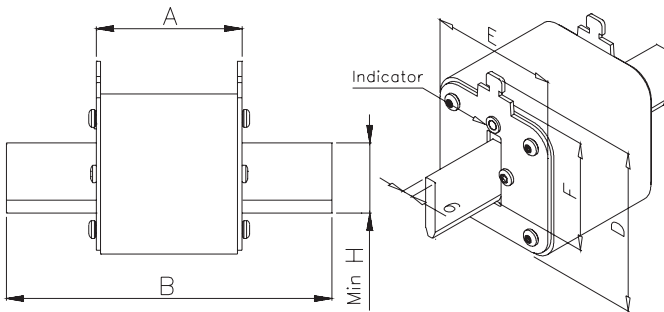
Amps: — 10-800A

IR: — 200kA RMS Sym.

Operating Class: gR

Agency Information: CE, Designed and tested to IEC 60269: Part 4.

Dimensions (mm):



Type DIN 00, DIN 1, DIN 2, DIN 3

Size	A	B	Max D	Max E	F	Min H
00	49	78.5	60	30	35	15
1	68	135	66	52	40	20
2	68	150	74	60	48	25
3	68	150	89	75	60	32

1 mm = 0.0394" 1" = 25.4 mm



Catalogue Numbers:

Catalogue Numbers	Fuse Size	Electrical Characteristics			
		RMS Amp Rating*	I ² t (A ² Sec)		Watts Loss
			Pre-arc	Clearing at 690V	
170M2691	00	10	3.8	20	3.5
170M2692		16	7.2	38	5.5
170M2693		20	13	70	6
170M2694		25	24	125	8
170M2695		32	53	275	9
170M2696		40	95	490	10
170M2697		50	185	1000	11
170M2698		63	345	1800	14
170M2699		80	695	3600	16
170M2700		100	1250	6650	19
170M2701	125	2300	12000	23	
170M2702	160	4350	22500	29	
170M4176	1	50	135	705	12
170M4177		63	245	1300	15
170M4178		80	500	2600	17
170M4179		100	950	4850	20
170M4180		125	1850	9500	23
170M4181		160	3450	18000	28
170M4182		200	6750	34500	31
170M4183		250	13500	70500	35
170M4184		315	26000	135000	41
170M4185		350	34000	175000	45
170M4186	400	48500	250000	48	
170M5881	2	200	5650	29000	33
170M5882		250	10000	52500	40
170M5883		315	19500	105000	46
170M5884		350	26000	135000	50
170M5885		400	39500	205000	53
170M5886		450	55500	290000	59
170M5887		500	73000	375000	66
170M5888		550	100000	515000	70
170M5889		630	150000	770000	79
170M6080		3	350	23000	120000
170M6081	400		34000	175000	59
170M6082	450		48500	250000	62
170M6083	500		64000	330000	67
170M6084	550		84500	435000	70
170M6085	630		125000	645000	85
170M6086	700		160000	840000	93
170M6087	800		245000	1300000	99

*The RMS amp rating of this fuse range is given with open fuse bases connected to copper conductors according to IEC 60269, Part 1, table 10. When used in enclosed fuse bases/disconnects, derating factors have to be observed. Please contact Cooper Bussmann for application assistance.

Data sheets: 170K6412 (Size 00), 170K6416 (Size 1), 170K6418 (Size 2), 170K6420 (Size 3)

Square Body Fuses

DIN 43 620 - Dual Indicator Fuses 690V (IEC) / 10 – 1600A

Specifications

Description: Square Body DIN 43 620 blade style high speed fuses with dual indicator system: one indicator in the fuse body and other in the metallic end plate. Interchangeable with existing high speed DIN 43620 fuses for protection of UPS, soft starters, solid state relays, variable speed drives, rectifiers and inverters.

Ratings:

Volts: — 690Vac

Amps: — 10-1600A

IR: — 200kA RMS Sym.

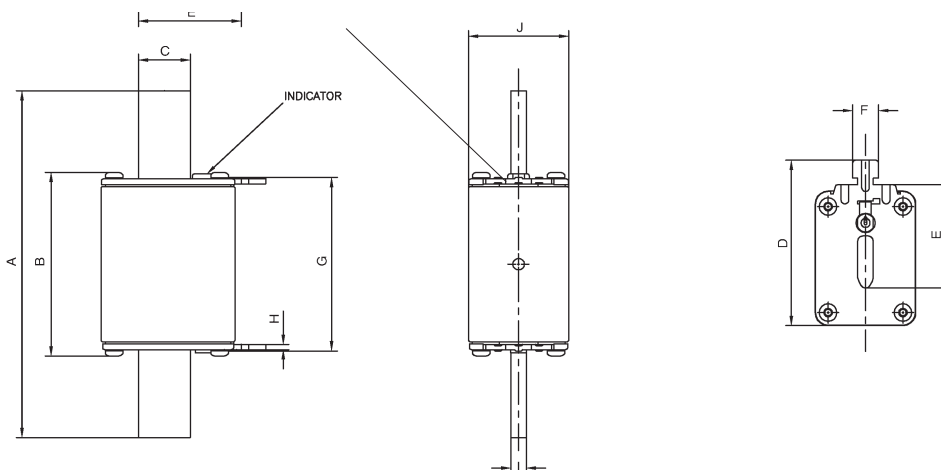


Operating Class: gR (10-32A, 50-63A) , aR (40A, 80-1600A)

Agency Information: CE, IEC 60629 Part 4, UL Recognised, CSA.

Catalogue Numbers: See next page

Dimensions (mm):



Size	A	B	C	D	E	F	G	H	I	J
000	78,5	53	15	52	35	10	49,7	1,5	6	20,5
00	78,5	53	15	59	35	10	49,7	2	6	30
1	135	71,4	20	64	40	10	67,5	2	6	40
2	150	71,4	25,1	72	48	10	67,5	2	6	54
3	150	72,4	32	87	60	10	68,5	2,5	6	71

Square Body Fuses

DIN 43 620 - Dual Indicator Fuses
690V (IEC) / 10 – 1600A

Catalogue Numbers:

Size	Catalogue Numbers	Electrical Characteristics				
		Rated Voltage (V)	Rated Current RMS-Amp	I ² t (A ² Sec)		Watt Loss (W)(*)
				Pre-arc	Clearing at 690V	
000	170M1558D	690	10	4	27	2.5
	170M1559D	690	16	7	51	4
	170M1560D	690	20	11.5	82.5	5
	170M1561D	690	25	19	140	6
	170M1562D	690	32	40	285	7
	170M1563D	690	40	65	490	8.5
	170M1564D	690	50	115	815	9.5
	170M1565D	690	63	215	1550	11.5
	170M1566D	690	80	380	2700	15
	170M1567D	690	100	695	4950	16.5
	170M1568D	690	125	1180	8250	21.5
	170M1569D	690	160	2300	16500	25
	170M1570D	690	200	4350	31000	29.5
	170M1571D	690	250	7900	56000	35.5
00	170M1572D	690	315	12000	84500	45
1	170M3808D	690	40	40	285	4
	170M3809D	690	50	78	550	4.5
	170M3810D	690	63	120	850	6.5
	170M3811D	690	80	185	1350	8.5
	170M3812D	690	100	360	2600	10
	170M3813D	690	125	550	3900	11
	170M3814D	690	160	1150	8250	12
	170M3815D	690	200	2300	16500	12.5
	170M3816D	690	250	4350	31000	16
	170M3817D	690	315	7300	52000	20
	170M3818D	690	350	10000	73000	21.5
	170M3819D	690	400	16000	115000	23
	170M4863D	690	450	21500	155000	26.5
	170M4864D	690	500	27000	190000	28.5
170M4865D	690	550	33500	240000	33	
170M4866D	690	630	48500	345000	37.5	
170M4867D	690	700	69500	495000	39	
2	170M5808D	690	400	11000	79000	29
	170M5809D	690	450	16000	115000	32
	170M5810D	690	500	21500	155000	34
	170M5811D	690	550	29000	215000	36
	170M5812D	690	630	41000	295000	42
	170M5813D	690	700	60500	430000	43
	170M5814D	690	800	86000	610000	48
	170M5820D	690	900	125000	895000	52
	170M5816D	690	1000	180000	1300000	53
	170M5817D	690	1100	245000	1750000	56
3	170M6808D	690	500	14000	99500	43
	170M6809D	690	550	19500	140000	44
	170M6810D	690	630	31000	220000	45
	170M6811D	690	700	45000	320000	46
	170M6812D	690	800	69500	490000	48
	170M6813D	690	900	100000	720000	50
	170M6814D	690	1000	140000	985000	56
	170M6892D	690	1100	190000	1400000	57
	170M8554D	690	1250	300000	2150000	61
	170M8555D	690	1400	380000	2700000	70
	170M8556D	690	1500	470000	3350000	72
	170M8557D	690	1600	585000	4150000	74

(*) Given at max. loading current, please refer to datasheet.

Data Sheets: 170K6386 (Size 000), 170K6388 (Size 1), 170K6390 (Size 2), 170K6392 (Size 3)

Square Body Fuses

DIN 43 620

1000V (IEC): 20–225A

Specifications

Description: Square body DIN 43 620 blade style high speed fuses for the protection of DC common bus, DC drives, power converters/rectifiers and reduced voltage starters.

Ratings:

Volts: — 1000Vac

Amps: — 20-225A

IR: — 125kA RMS Sym.



Operating Class: aR

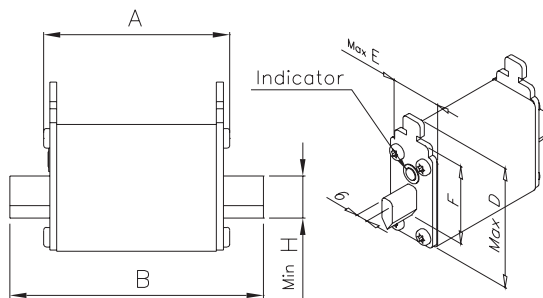
Agency Information: CE, Designed and tested to IEC 60269: Part 4, UL Recognized.

Catalogue Numbers:

Cat. Numbers	Fuse Size	Electrical Characteristics				
		Rated Voltage	Rated Current RMS Amps	I ² t (A ² Sec)		Watts Loss
				Pre-arc	Clearing at Rated Voltage	
170M2673	00	1000	20	15	110	8.5
170M2674		1000	25	28.5	210	9.5
170M2675		1000	32	53	390	11
170M2676		1000	35	69	500	12
170M2677		1000	40	105	760	13
170M2678		1000	50	215	1550	14
170M2679		1000	63	380	2750	16
170M2680		1000	80	815	5900	18
170M2681		1000	100	1550	11500	21
170M2682		1000	125	3000	22000	23
170M2683		1000	160	6250	45000	26
170M2684		900	200	12000	86500	31
170M2685		900	225	18000	115000	33

Data Sheet : 170K8506

Dimensions (mm):



Size	A	B	Max D	Max E	F	G	Min H
DIN 00	49	78.5	60	30	35	6	15

1mm = 0.0394" / 1" = 25.4mm

Square Body Fuses

French Style

690V - 700V (IEC/UL) / 40-1500A

Specifications

Description: Square body French Style high speed fuses for the protection of DC common bus, DC drives, power converters/rectifiers and reduced voltage starters.

Ratings:

Volts: — 690Vac (IEC)

— 700Vac (UL)

Amps: — 40-1500A

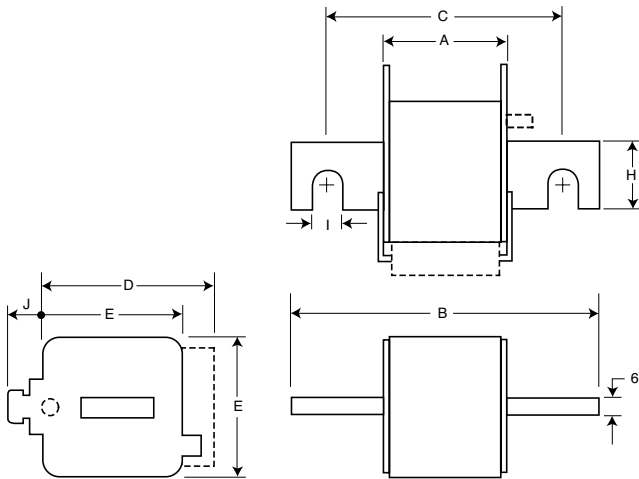
IR: — 200kA RMS Sym

Operating Class: aR

Agency Information: CE, Designed and tested to IEC 60269: Part 4, UL Recognized.

Catalogue Numbers: See next page

Dimensions (mm):



Type -E/-, -EKN/-

Size	A	B	C	D	E	H	I	J
1*	50	102	76	59	45	18	9	13
1	50	111	86	69	53	25	11	11
2	50	126	91	77	61	30	13	12
3	51	126	91	92	76	36	13	13

1mm = 0.0394" / 1" = 25.4mm



Square Body Fuses

French Style

690V - 700V (IEC/UL) / 40-1500A

Catalogue Numbers:

Catalogue Numbers		Fuse Size	Electrical Characteristics			
-E/ Type T Indicator For Micro	-EKN/ Type K Indicator for Micro		Rated Current RMS-Amps	I ² t (A ² Sec)		Watts Loss
				Pre-arc	Clearing at 660V	
170M3308	170M3358	1*	40	40	270	9
170M3309	170M3359		50	77	515	11
170M3310	170M3360		63	115	770	14
170M3311	170M3361		80	185	1250	18
170M3312	170M3362		100	360	2450	21
170M3313	170M3363		125	550	3700	26
170M3314	170M3364		160	1100	7500	30
170M3315	170M3365		200	2200	15000	35
170M3316	170M3366		250	4200	28500	40
170M3317	170M3367		315	7000	46500	50
170M3318	170M3368		350	10000	68500	55
170M3319	170M3369		400	15000	105000	60
170M3320	170M3370		450	21000	140000	65
170M3321	170M3371		500	27000	180000	70
170M4308	170M4358	1	200	1650	11500	45
170M4309	170M4359		250	3100	21000	55
170M4310	170M4360		315	6200	42000	58
170M4311	170M4361		350	8500	59000	60
170M4312	170M4362		400	13500	91500	65
170M4313	170M4363		450	17000	120000	70
170M4314	170M4364		500	25000	170000	72
170M4315	170M4365		550	34000	230000	75
170M4316	170M4366		630	52000	350000	80
170M4317	170M4367		700	69500	465000	85
170M4318	170M4368	800	105000	725000	95	
170M5308	170M5358	2	400	11000	74000	65
170M5309	170M5359		450	15500	105000	70
170M5310	170M5360		500	21500	145000	75
170M5311	170M5361		550	28000	190000	80
170M5312	170M5362		630	41000	275000	90
170M5313	170M5363		700	60500	405000	95
170M5314	170M5364		800	86000	575000	105
170M5315	170M5365		900	125000	840000	110
170M5316	170M5366		1000	180000	1250000	115
170M6308	170M6358	3	500	14000	95000	95
170M6309	170M6359		550	19500	135000	100
170M6310	170M6360		630	31000	210000	105
170M6311	170M6361		700	44500	300000	110
170M6312	170M6362		800	69500	465000	115
170M6313	170M6363		900	100000	670000	120
170M6314	170M6364		1000	140000	945000	125
170M6315	170M6365		1100	190000	1300000	130
170M6316	170M6366		1250	290000	1950000	140
170M6317	170M6367		1400	370000	2450000	155
170M6318	170M6368		1500	460000	3100000	160

Data Sheets: 170K6314 (Size 1*), 170K6316 (Size 1), 170K6318 (Size 2), 170K6320 (Size 3)

Square Body Fuses

US Style

690V - 700V (IEC/UL) / 40-2000A

Specifications

Description: Square body US Style high speed fuses for the protection of DC common bus, DC drives, power converters/rectifiers and reduced voltage starters.

Ratings:

Volts: — 690Vac (IEC)

— 700Vac (UL)

Amps: — 40-2000A

IR: — 200kA RMS Sym

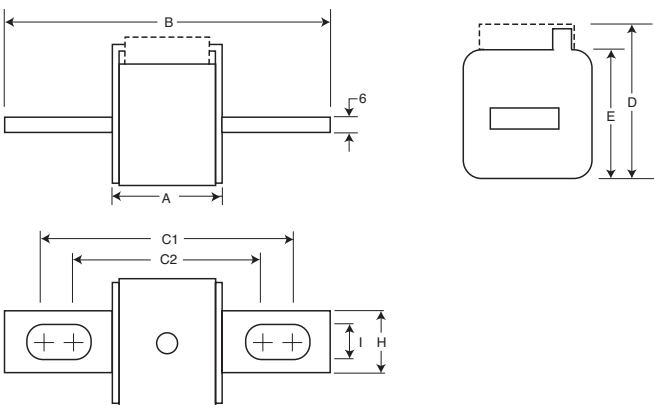


Operating Class: aR

Agency Information: CE, Designed and tested to IEC 60269: Part 4, UL Recognized. Consult Cooper Bussmann for UL Recognition/CSA Component Acceptance status.

Catalogue Numbers: See next page

Dimensions (mm):



Type -FU/-, -FKE/-, FU/115-, -FKE/115

Size	A	B	B**	C1	C1**	C2	C2**	D	E	H	I
1*	50	110	148	85	123	72	110	59	45	20	10
1	50	136	157	104	126	78	100	69	53	25	14
2	50	135	159	105	125	78	99	77	61	25	14
3	51	135	155	106	125	77	97	92	76	36	16

**Valid for fuses type -FU/115 & -FKE/115.

1mm = 0.0394" / 1" = 25.4mm

Square Body Fuses

US Style

690V - 700V (IEC/UL) / 40-2000A

Catalogue Numbers:

Catalogue Numbers				Fuse Size	Electrical Characteristics			
-FU/ Without Indicator	-FKE/ Type K Indicator for Micro	-FU/115 Without Indicator	-FKE/115 Type K Indicator for Micro		Rated Current RMS-Amps	I ² t (A ² Sec)		Watts Loss
						Pre-arc	Clearing at 660V	
170M3608	170M3658	170M3708	170M3758	1*	40	40	270	9
170M3609	170M3659	170M3709	170M3759		50	77	515	11
170M3610	170M3660	170M3710	170M3760		63	115	770	14
170M3611	170M3661	170M3711	170M3761		80	185	1250	18
170M3612	170M3662	170M3712	170M3762		100	360	2450	21
170M3613	170M3663	170M3713	170M3763		125	550	3700	26
170M3614	170M3664	170M3714	170M3764		160	1100	7500	30
170M3615	170M3665	170M3715	170M3765		200	2200	15000	35
170M3616	170M3666	170M3716	170M3766		250	4200	28500	40
170M3617	170M3667	170M3717	170M3767		315	7000	46500	50
170M3618	170M3668	170M3718	170M3768		350	10000	68500	55
170M3619	170M3669	170M3719	170M3769		400	15000	105000	60
170M3620	170M3670	170M3720	170M3770		450	21000	140000	65
170M3621	170M3671	170M3721	170M3771		500	27000	180000	70
170M3622	170M3672	170M3722	170M3772		550	34000	230000	75
170M3623	170M3673	170M3723	170M3773		630	48500	325000	80
170M4608	170M4658	170M4708	170M4758		1	200	1650	11500
170M4609	170M4659	170M4709	170M4759	250		3100	21000	55
170M4610	170M4660	170M4710	170M4760	315		6200	42000	58
170M4611	170M4661	170M4711	170M4761	350		8500	59000	60
170M4612	170M4662	170M4712	170M4762	400		13500	91500	65
170M4613	170M4663	170M4713	170M4763	450		17000	120000	70
170M4614	170M4664	170M4714	170M4764	500		25000	170000	72
170M4615	170M4665	170M4715	170M4765	550		34000	230000	75
170M4616	170M4666	170M4716	170M4766	630		52000	350000	80
170M4617	170M4667	170M4717	170M4767	700		69500	465000	85
170M4618	170M4668	170M4718	170M4768	800		105000	725000	95
170M4619	170M4669	170M4719	170M4769	900		155000	1050000	100
170M5608	170M5658	170M5708	170M5758	2	400	11000	74000	65
170M5609	170M5659	170M5709	170M5759		450	15500	105000	70
170M5610	170M5660	170M5710	170M5760		500	21500	145000	75
170M5611	170M5661	170M5711	170M5761		550	28000	190000	80
170M5612	170M5662	170M5712	170M5762		630	41000	275000	90
170M5613	170M5663	170M5713	170M5763		700	60500	405000	95
170M5614	170M5664	170M5714	170M5764		800	86000	575000	105
170M5615	170M5665	170M5715	170M5765		900	125000	840000	110
170M5616	170M5666	170M5716	170M5766		1000	180000	1250000	115
170M5617	170M5667	170M5717	170M5767		†1100	245000	1600000	120
170M5618	170M5668	170M5718	170M5768	†1250	365000	2400000	130	
170M6608	170M6658	170M6708	170M6758	3	500	14000	95000	95
170M6609	170M6659	170M6709	170M6759		550	19500	135000	100
170M6610	170M6660	170M6710	170M6760		630	31000	210000	105
170M6611	170M6661	170M6711	170M6761		700	44500	300000	110
170M6612	170M6662	170M6712	170M6762		800	69500	465000	115
170M6613	170M6663	170M6713	170M6763		900	100000	670000	120
170M6614	170M6664	170M6714	170M6764		1000	140000	945000	125
170M6615	170M6665	170M6715	170M6765		1100	190000	1300000	130
170M6616	170M6666	170M6716	170M6766		1250	290000	1950000	140
170M6617	170M6667	170M6717	170M6767		1400	370000	2450000	155
170M6618	170M6668	170M6718	170M6768		1500	460000	3100000	160
170M6619	170M6669	170M6719	170M6769		1600	580000	3900000	160
170M6620	170M6670	170M6720	170M6770		†1800	880000	†5250000	165
170M6621	170M6671	170M6721	170M6771		†2000	1150000	†6350000	175

†Rated voltage (IEC) 600V.

‡Rated voltage (IEC) 550V.

Data Sheets: 170K6314 (Size 1*), 170K6316 (Size 1), 170K6318 (size 2), 170K6320 (Size 3)

Square Body Fuses

US Style

1000V (IEC) / 50-1400A

Specifications

Description: Square body US Style high speed fuses for the protection of DC common bus, DC drives, power converters/rectifiers and reduced voltage starters.



Ratings:

Volts: — 1000Vac

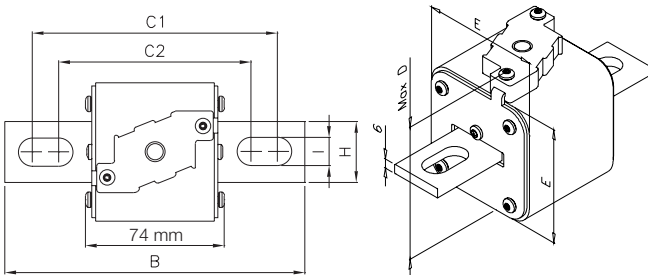
Amps: — 50-1400A

IR: — 125kA RMS Sym.

Operating Class: aR

Agency Information: CE, Designed and tested to IEC 60269: Part 4, UL Recognized.

Dimensions (mm):



Type -FKE/115

Size	B	C1	C2	D	E	H	I
1*FKE/115	156	130	101	59	45	20	10
1FKE/115	160	127	102	69	53	25	14
2FKE/115	160	127	102	77	61	25	14
3FKE/115	159	128	101	92	76	36	16

1mm = 0.0394" / 1" = 25.4mm

Catalogue Numbers:

Catalogue Numbers -FKE/115 Type K Indicator for Micro	Fuse Size	Electrical Characteristics			
		Rated Current RMS-Amps	I ² t (A ² Sec)		Watts Loss
			Pre-arc	Clearing at 1000V	
170M3531	1*	50	135	815	20
170M3532		63	215	1300	25
170M3533		80	460	2750	30
170M3534		100	860	5100	35
170M3535		125	1450	8600	40
170M3536		160	2850	17500	45
170M3537		200	4950	29500	48
170M3538		250	9550	57000	50
170M3539		315	21500	130000	60
170M3540		350	29000	175000	65
170M3541	400	42000	250000	70	
170M4531	1	160	2200	13500	40
170M4532		200	4150	24500	45
170M4533		250	7750	46000	52
170M4534		315	16500	98500	60
170M4535		350	21500	130000	65
170M4536		400	31000	185000	70
170M4537		450	44500	265000	80
170M4538		500	63000	375000	85
170M4539		550	84500	500000	90
170M4540		630	125000	755000	98
170M5531	2	250	6750	40000	65
170M5532		315	13500	81500	75
170M5533		350	16500	99000	80
170M5534		400	26000	155000	85
170M5535		450	35500	210000	90
170M5536		500	49500	295000	95
170M5537		550	66000	390000	100
170M5538		630	93500	555000	110
170M5539	700	130000	770000	115	
170M5540	800	195000	1200000	125	
170M8531	3	315	9200	54500	90
170M8532		350	13000	77500	95
170M8533		400	19000	115000	105
170M8534		450	27000	160000	107
170M8535		500	37500	225000	110
170M8536		550	52000	310000	115
170M8537		630	82500	490000	120
170M8538		700	115000	700000	125
170M8539		800	170000	1050000	135
170M8540		900	250000	1500000	145
170M8541		1000	340000	2050000	150
170M8542		1100	460000	2750000	155
170M8543		1250	575000	3400000	175
†170M8544		1400	795000	4200000*	185

† Rated voltage 900V.

Watts loss provided at rated current.

Data Sheets: 170K8564 (Size1*), 170K8566 (Size 1), 170K8568 (Size 2), 170K8570 (Size 3)

Square Body Fuses

US Style

1250V - 1300V (IEC/UL) / 50-1400A

Specifications

Description: Square body US Style high speed fuses for the protection of DC common bus, DC drives, power converters/rectifiers and reduced voltage starters.



Ratings:

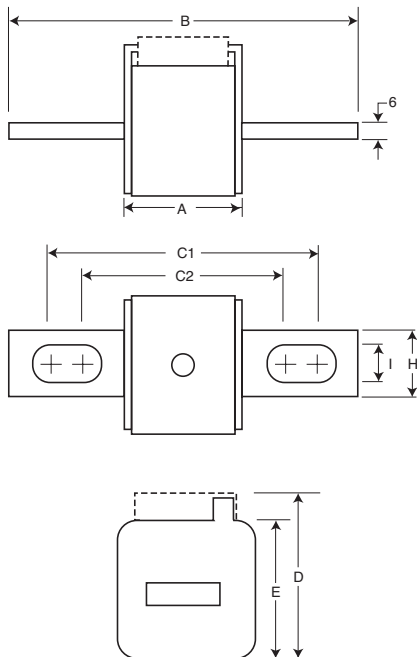
- Volts: — 1250Vac (IEC)
- 1300Vac (UL)

- Amps: — 50-1400A
- IR: — 100kA RMS Sym.

Operating Class: aR

Agency Information: CE, Designed and tested to IEC 60269: Part 4, UL Recognized. Consult Cooper Bussmann for UL Recognition/CSA Component Acceptance status.

Dimensions (mm):



Type -FU/115, -FKE/115

Size	B	C1	C2	D	E	H	I
1*	156	130	101	59	45	20	10
1	160	127	102	69	53	25	14
2	160	127	102	77	61	25	14
3	159	128	101	92	76	36	16

1mm = 0.0394" / 1" = 25.4mm

Catalogue Numbers:

Catalogue Numbers		Size	Electrical Characteristics				
-FU/115 Without Indicator	-FKE/115 Type K Indicator for Micro		Rated Current RMS-Amps	I ² t (A ² Sec)			Watts Loss
				Pre-arc	Clearing at 1000V	Clearing at 1250V	
170M3688	170M3738	1*	50	135	815	1100	15
170M3689	170M3739		63	215	1300	1750	20
170M3690	170M3740		80	420	2500	3350	25
170M3691	170M3741		100	750	4450	5950	30
170M3692	170M3742		125	1450	9000	11500	35
170M3693	170M3743		160	2600	16000	21000	40
170M3694	170M3744		200	5150	31000	41000	45
170M3695	170M3745		250	9200	54500	73000	55
170M3696	170M3746		315	18500	115000	150000	60
170M3697	170M3747		350	27000	165000	220000	65
170M4688	170M4738	1	160	1900	11500	15500	45
170M4689	170M4739		200	3800	22500	30000	50
170M4690	170M4740		250	7750	46000	61500	60
170M4691	170M4741		315	15000	90000	120000	65
170M4692	170M4742		350	20000	125000	165000	70
170M4693	170M4743		400	29500	175000	235000	75
170M4694	170M4744		450	42000	250000	335000	80
170M4695	170M4745		†500	69500	340000		85
170M4696	170M4746		†550	95000	465000		95
170M4697	170M4747		†630	130000	660000		100
170M5688	170M5738	2	250	6500	38500	51500	65
170M5689	170M5739		280	9350	55500	74500	70
170M5690	170M5740		315	13000	77500	105000	75
170M5691	170M5741		350	16500	97500	135000	80
170M5692	170M5742		400	23000	140000	180000	85
170M5693	170M5743		450	34000	205000	270000	90
170M5694	170M5744		500	48000	285000	380000	95
170M5695	170M5745		550	62000	370000	495000	100
170M5696	170M5746		630	115000	575000	730000	110
170M5697	170M5747		†700	160000	795000		115
170M5698	170M5748	†800	245000	1200000		120	
170M5699	170M5749	†900	360000	1750000		125	
170M5700	170M5750	†1000	480000	2350000		135	
170M6688	170M6738	3	315	9500	58000	77500	85
170M6689	170M6739		350	13500	81500	110000	90
170M6690	170M6740		400	19500	120000	160000	95
170M6691	170M6741		450	31000	185000	245000	100
170M6692	170M6742		500	39000	235000	310000	105
170M6693	170M6743		550	55000	325000	435000	110
170M6694	170M6744		630	83500	495000	665000	115
170M6695	170M6745		700	115000	705000	940000	120
170M6696	170M6746		800	205000	995000	1300000	125
170M6697	170M6747		900	305000	1500000	1900000	130
†170M6698	†170M6748	†1000	450000	2150000		135	
†170M6699	†170M6749	†1100	575000	2800000		140	
†170M6700	†170M6750	†1250	810000	3950000		145	
†170M6701	†170M6751	†1400	1250000	6000000		150	

†Rated voltage (IEC) 1100.
‡Rated voltage (IEC) 1000V.
‡ UL Recognition at 1000V.

Data Sheets: 170K6630 (Size 1*), 170K6632 (Size1), 170K6634 (Size 2), 170K6636 (Size 3)

Square Body Fuses

Flush End Contact

690V - 700V (IEC/UL) / 25-400A

Specifications

Description: Square body flush end contact high speed fuses for the protection of DC common bus, DC drives, power converters/rectifiers and reduced voltage starters.

Ratings:

- Volts: — 690Vac (IEC)
- Amps: — 25-400A
- IR: — 200kA RMS Sym.

Operating Class: aR

Agency Information: CE, Designed and tested to IEC 60269: Part 4, UL Recognized.

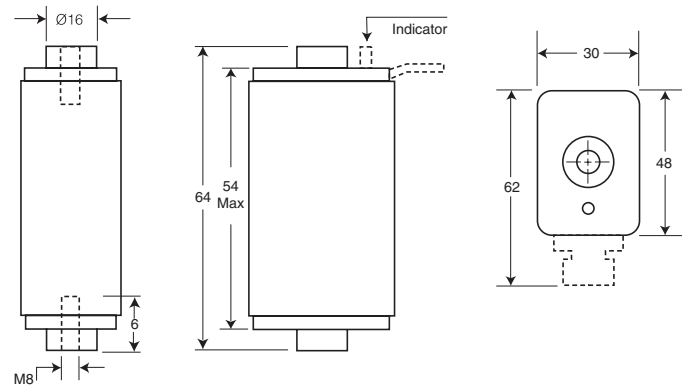
Catalogue Number



Dimensions (mm):

Catalogue Numbers		Fuse Size	Electrical Characteristics			
00B/60 Visual Indicator	00BTN/60 Type T Indicator for Micro		Rated Current RMS-Amps	I ² t (A ² Sec)		Watts Loss
				Pre-arc	Clearing at 660V	
170M2708	170M2758	00	25	19	130	6
170M2709	170M2759		32	28.5	195	7
170M2710	170M2760		40	50	360	9
170M2711	170M2761		50	95	640	10
170M2712	170M2762		63	170	1200	12
170M2713	170M2763		80	310	2100	15
170M2714	170M2764		100	620	4150	20
170M2715	170M2765		125	1000	6950	25
170M2716	170M2766		160	1900	13000	30
170M2717	170M2767		200	3400	23000	35
170M2718	170M2768		250	6250	42000	45
170M2719	170M2769		315	10000	68500	55
170M2720	170M2770		350	13500	91500	60
170M2721	170M2771		400	18000	125000	70

Data Sheets: 170K6312



Dimensions:

Square Body Fuses

Flush End Contact

690V - 700V (IEC/UL) / 40-2000A

Specifications

Description: Square body flush end contact high speed fuses for the protection of DC common bus, DC drives, power converters/rectifiers and reduced voltage starters.



Ratings:

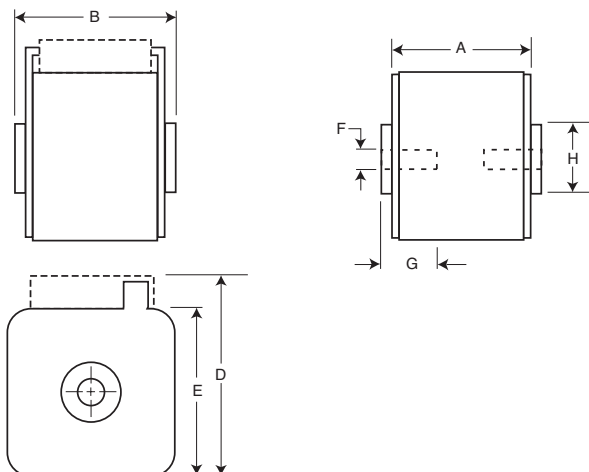
- Volts: — 690Vac (IEC)
- 700Vac (UL)
- Amps: — 40-2000A
- IR: — 200kA RMS Sym.

Operating Class: aR

Agency Information: CE, Designed and tested to IEC 60269: Part 4, UL Recognized. Consult Cooper Bussmann for UL Recognition / CSA Component Acceptance Status.

Catalogue Numbers: See next page

Dimensions (mm):



Type -B/-, -BKN/-, -G/-, -GKN/-

Size	A	B	D	E	F	F** (in)	G	H
1*	50	51	59	45	M8	5/16" - 18 UNC-2B	5	N17
1	50	51	69	53	M8	5/16" - 18 UNC-2B	8	N20
2	50	51	77	61	M10	3/8" - 16 UNC-2B	10	N24
3	51	53	92	76	M12	1/2" - 13 UNC-2B	10	N30

**Valid for fuses type -G/- & -GKN/-.
 NB: B = 65 for: Size 2, 1100-1250A
 Size 3, 1600-2000A

Square Body Fuses

Flush End Contact

690V - 700V (IEC/UL) / 40-2000A

Catalogue Numbers:

Catalogue Numbers				Fuse Size	Electrical Characteristics			
-B/- Visual Indicator	-BKN/- Type K Indicator for Micro	-G/- Visual Indicator	-GKN/- Type K Indicator for Micro		Rated Current RMS-Amps	I ² t (A ² Sec)		Watts Loss
						Pre-arc	Clearing at 660V	
170M3408	170M3458	170M3508	170M3558	1*	40	40	270	9
170M3409	170M3459	170M3509	170M3559		50	77	515	11
170M3410	170M3460	170M3510	170M3560		63	115	770	14
170M3411	170M3461	170M3511	170M3561		80	185	1250	18
170M3412	170M3462	170M3512	170M3562		100	360	2450	21
170M3413	170M3463	170M3513	170M3563		125	550	3700	26
170M3414	170M3464	170M3514	170M3564		160	1100	7500	30
170M3415	170M3465	170M3515	170M3565		200	2200	15000	35
170M3416	170M3466	170M3516	170M3566		250	4200	28500	40
170M3417	170M3467	170M3517	170M3567		315	7000	46500	50
170M3418	170M3468	170M3518	170M3568		350	10000	68500	55
170M3419	170M3469	170M3519	170M3569		400	15000	105000	60
170M3420	170M3470	170M3520	170M3570		450	21000	140000	65
170M3421	170M3471	170M3521	170M3571		500	27000	180000	70
170M3422	170M3472	170M3522	170M3572		550	34000	230000	75
170M3423	170M3473	170M3523	170M3573		630	48500	325000	80
170M4408	170M4458	170M4508	170M4558	1	200	1650	11500	45
170M4409	170M4459	170M4509	170M4559		250	3100	21000	55
170M4410	170M4460	170M4510	170M4560		315	6200	42000	58
170M4411	170M4461	170M4511	170M4561		350	8500	59000	60
170M4412	170M4462	170M4512	170M4562		400	13500	91500	65
170M4413	170M4463	170M4513	170M4563		450	17000	120000	70
170M4414	170M4464	170M4514	170M4564		500	25000	170000	72
170M4415	170M4465	170M4515	170M4565		550	34000	230000	75
170M4416	170M4466	170M4516	170M4566		630	52000	350000	80
170M4417	170M4467	170M4517	170M4567		700	69500	465000	85
170M4418	170M4468	170M4518	170M4568		800	105000	725000	95
170M4419	170M4469	170M4519	170M4569	900	155000	1050000	100	
170M5408	170M5458	170M5508	170M5558	2	400	11000	74000	65
170M5409	170M5459	170M5509	170M5559		450	15500	105000	70
170M5410	170M5460	170M5510	170M5560		500	21500	145000	75
170M5411	170M5461	170M5511	170M5561		550	28000	190000	80
170M5412	170M5462	170M5512	170M5562		630	41000	275000	90
170M5413	170M5463	170M5513	170M5563		700	60500	405000	95
170M5414	170M5464	170M5514	170M5564		800	86000	575000	105
170M5415	170M5465	170M5515	170M5565		900	125000	840000	110
170M5416	170M5466	170M5516	170M5566		1000	180000	1250000	115
170M5417	170M5467	170M5517	170M5567		†1100	245000	1600000	120
170M5418	170M5468	170M5518	170M5568		†1250	365000	2400000	130
170M6408	170M6458	170M6508	170M6558	3	500	14000	95000	95
170M6409	170M6459	170M6509	170M6559		550	19500	135000	100
170M6410	170M6460	170M6510	170M6560		630	31000	210000	105
170M6411	170M6461	170M6511	170M6561		700	44500	300000	110
170M6412	170M6462	170M6512	170M6562		800	69500	465000	115
170M6413	170M6463	170M6513	170M6563		900	100000	670000	120
170M6414	170M6464	170M6514	170M6564		1000	140000	945000	125
170M6415	170M6465	170M6515	170M6565		1100	190000	1300000	130
170M6416	170M6466	170M6516	170M6566		1250	290000	1950000	140
170M6417	170M6467	170M6517	170M6567		1400	370000	2450000	155
170M6418	170M6468	170M6518	170M6568		1500	460000	3100000	160
170M6419	170M6469	170M6519	170M6569		1600	580000	3900000	160
170M6420	170M6470	170M6520	170M6570		†1800	880000	†5250000	165
170M6421	170M6471	170M6521	170M6571	‡2000	1150000	‡6350000	175	

†Rated voltage (IEC) 600V.
‡Rated voltage (IEC) 550V.
* Watts loss provided at rated current.

Data Sheets: 170K6314 (Size 1*), 170K6316 (Size 1), 170K6318 (Size 2), 170K6320 (Size 3).

Square Body Fuses

Flush End Contact

1000V (IEC) / 50–1400A

Specifications

Description: Square body flush end contact high speed fuses for the protection of DC common bus, DC drives, power converters/rectifiers and reduced voltage starters.

Ratings:

Volts: — 1000Vac (IEC)

Amps: — 50-1400A

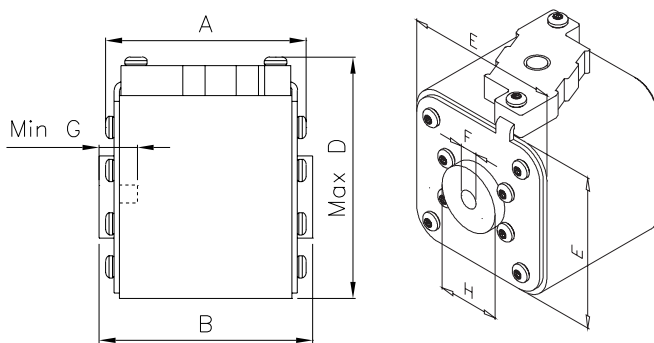
IR: — 125kA RMS Sym.

Operating Class: aR

Agency Information: CE, Designed and tested to IEC 60269: Part 4, UL Recognized for sizes 2 & 3 only.

Catalogue Numbers: See next page

Dimensions (mm):



Type –BKN/- and –GKN/-

Size	A	B	Max D	E	F	F** (in)	Min G	H
1*BKN/75+GKN/75	72.5	74	61	43	M8	$\frac{5}{16}$ " – 18 UNC-2B	5	17.5
1BKN/75+GKN/75	73.2	74	69	52	M8	$\frac{5}{16}$ " – 18 UNC-2B	8	20
2BKN/75+GKN/75	73.2	74.4	77	59	M10	$\frac{3}{8}$ " – 16 UNC-2B	10	24
3BKN/75+GKN/75	73.3	75.4	92	74	M12	$\frac{1}{2}$ " – 13 UNC-2B	10	30
3BKN/90+GKN/90	80.3	91.4	92	74	M12	$\frac{1}{2}$ " – 13 UNC-2B	10	30

** Valid for fuses type –GKN/-.



Square Body Fuses

Flush End Contact

1000V / 50–1400A

Catalogue Numbers:

Catalogue Numbers		Electrical Characteristics						
-BKN/ Type K Indicator for Micro	-GKN/ Type K Indicator for Micro	Fuse Size	Rated Voltage	Rated Current RMS-Amps	I ² t (A ² Sec)		Watts Loss	
					Pre-arc	Clearing at Rated Voltage		
170M3951	170M3921	1*	1000	50	135	815	20	
170M3952	170M3922		1000	63	215	1300	25	
170M3953	170M3923		1000	80	460	2750	30	
170M3954	170M3924		1000	100	860	5100	35	
170M3955	170M3925		1000	125	1450	8600	40	
170M3956	170M3926		1000	160	2850	17500	45	
170M3957	170M3927		1000	200	4950	29500	48	
170M3958	170M3928		1000	250	9550	57000	50	
170M3959	170M3929		1000	315	21500	130000	60	
170M3960	170M3930		1000	350	29000	175000	65	
170M3961	170M3931		1000	400	42000	250000	70	
170M4951	170M4921		1	1000	160	2200	13500	40
170M4952	170M4922			1000	200	4150	24500	45
170M4953	170M4923	1000		250	7750	46000	52	
170M4954	170M4924	1000		315	16500	98500	60	
170M4955	170M4925	1000		350	21500	130000	65	
170M4956	170M4926	1000		400	31000	185000	70	
170M4957	170M4927	1000		450	44500	265000	80	
170M4958	170M4928	1000		500	63000	375000	85	
170M4959	170M4929	1000		550	84500	500000	90	
170M4960	170M4930	1000		630	125000	755000	98	
170M5952	170M5922	2	1000	250	6750	40000	65	
170M5953	170M5923		1000	315	13500	81500	75	
170M5954	170M5924		1000	350	16500	99000	80	
170M5955	170M5925		1000	400	26000	155000	85	
170M5956	170M5926		1000	450	35500	210000	90	
170M5957	170M5927		1000	500	49500	295000	95	
170M5958	170M5928		1000	550	66000	390000	100	
170M5959	170M5929		1000	630	93500	555000	110	
170M5960	170M5930		1000	700	130000	770000	115	
170M5961	170M5931		1000	800	195000	1200000	125	
170M8600	170M8500	3	1000	315	9200	54500	90	
170M8601	170M8501		1000	350	13000	77500	95	
170M8602	170M8502		1000	400	19000	115000	105	
170M8603	170M8503		1000	450	27000	160000	107	
170M8604	170M8504		1000	500	37500	225000	110	
170M8605	170M8505		1000	550	52000	310000	115	
170M8606	170M8506		1000	630	82500	490000	120	
170M8607	170M8507		1000	700	115000	700000	125	
170M8608	170M8508		1000	800	170000	1050000	135	
170M8609	170M8509		1000	900	250000	1500000	145	
170M8610	170M8510		1000	1000	340000	2050000	150	
170M8611	170M8511		1000	1100	460000	2750000	155	
†170M8612	†170M8512		1000	1250	575000	3400000	175	
†170M8613	†170M8513		900	1400	795000	4200000	185	

† Overall length is 90mm, for all other fuses the overall length is 75mm.
Watts loss provided at rated current.

Microswitch ordered separately.

Data Sheets: 170K8564 (Size1*), 170K8566 (Size 1), 170K8568 (Size 2), 170K8570 (Size 3)

Square Body Fuses

Flush End Contact

1250V - 1300V (IEC/UL) / 50-1400A

Specifications

Description: Square body flush end contact high speed fuses for the protection of DC common bus, DC drives, power converters/rectifiers and reduced voltage starters.

Ratings:

Volts: — 1250Vac (IEC)

— 1300Vac (UL)

Amps: — 50-1400A

IR: — 100kA RMS Sym.

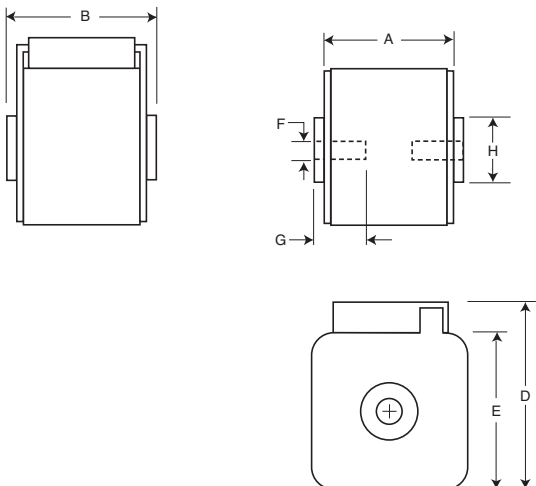


Operating Class: aR

Agency Information: CE, Designed and tested to IEC 60269: Part 4, UL Recognized. Consult Cooper Bussmann for UL Recognition/CSA Component Acceptance status.

Catalogue Numbers: See next page.

Dimensions (mm):



Type -BKN/-, -GKN/-

Size	Type	A	B	D	E	F	F** (in)	G	H
1*	BKN + GKN/75	74	75	59	45	M8	5/16" - 18 UNC-2B	5	Ø17
1*	BKN/80	80	81	59	45	M8		5	Ø17
1	BKN + GKN/75	74	75	69	53	M8	5/16" - 18 UNC-2B	8	Ø20
1	BKN/80	80	81	69	53	M8		8	Ø20
2	BKN + GKN/75	74	75	77	61	M10	3/8" - 16 UNC-2B	10	Ø24
2	BKN/80	80	81	77	61	M10		10	Ø24
2	BKN + GKN/90	80	91	77	61	M10	3/8" - 16 UNC-2B	10	Ø24
3	BKN + GKN/75	74	76	92	76	M12	1/2" - 13 UNC-2B	10	Ø30
3	BKN/80	81	83	92	76	M12		10	Ø30
3	BKN + GKN/90	81	91	92	76	M12	1/2" - 13 UNC-2B	10	Ø30

**Valid for fuses type -GKN/-.
1mm = 0.0394" / 1" = 25.4mm

Square Body Fuses

Flush End Contact

1250V - 1300V (IEC/UL) / 50-1400A

Catalogue Numbers:

Catalogue Numbers					Fuse Size	Electrical Characteristics				
-BKN/75 Type K Indicator for Micro	-BKN/80 Type K Indicator for Micro	-BKN/90 Type K Indicator for Micro	-GKN/75 Type K Indicator for Micro	-GKN/90 Type K Indicator for Micro		Rated Current RMS- Amps	I ² t (A ² Sec)			Watts Loss
							Pre-arc	Clearing at 1000V	Clearing at 1250V	
170M3388	170M3438		170M3488		1*	50	135	815	1100	15
170M3389	170M3439		170M3489			63	215	1300	1750	20
170M3390	170M3440		170M3490			80	420	2500	3350	25
170M3391	170M3441		170M3491			100	750	4450	5950	30
170M3392	170M3442		170M3492			125	1450	9000	11500	35
170M3393	170M3443		170M3493			160	2600	16000	21000	40
170M3394	170M3444		170M3494			200	5150	31000	41000	45
170M3395	170M3445		170M3495			250	9200	54500	73000	55
170M3396	170M3446		170M3496			315	18500	115000	150000	60
170M3397	170M3447		170M3497			350	27000	165000	220000	65
	170M3448				400	53000	265000	335000	70	
170M4388	170M4438		170M4488		1	160	1900	11500	15500	45
170M4389	170M4439		170M4489			200	3800	22500	30000	50
170M4390	170M4440		170M4490			250	7750	46000	61500	60
170M4391	170M4441		170M4491			315	15000	90000	120000	65
170M4392	170M4442		170M4492			350	20000	125000	165000	70
170M4393	170M4443		170M4493			400	29500	175000	235000	75
170M4394	170M4444		170M4494			450	42000	250000	335000	80
†170M4395	170M4445		†170M4495			500	69500	340000	435000	85
‡170M4396	170M4446		‡170M4496			550	95000	465000	590000	95
‡170M4397	†170M4447		‡170M4497			630	130000	660000		100
170M5388	170M5438		170M5588		2	250	6500	38500	51500	65
170M5389	170M5439		170M5589			280	9350	55500	74500	70
170M5390	170M5440		170M5590			315	13000	77500	105000	75
170M5391	170M5441		170M5591			350	16500	97500	135000	80
170M5392	170M5442		170M5592			400	23000	140000	180000	85
170M5393	170M5443		170M5593			450	34000	205000	270000	90
170M5394	170M5444	170M5494	170M5594	170M5644		500	48000	285000	380000	95
170M5395	170M5445	170M5495	170M5595	170M5645		550	62000	370000	495000	100
†170M5396	170M5446	170M5496	†170M5596	170M5646		630	115000	575000	730000	110
‡170M5397	†170M5447	170M5497	‡170M5597	170M5647		700	160000	795000	1050000	115
‡170M5398	‡170M5448	170M5498	‡170M5598	170M5648	800	245000	1200000	1550000	120	
		170M5499		170M5649	†900	360000	1750000		125	
		170M5500		170M5650	†1000	480000	2350000		135	
170M6338	170M6538		170M6588		3	315	9500	58000	77500	85
170M6339	170M6539		170M6589			350	13500	81500	110000	90
170M6340	170M6540		170M6590			400	19500	120000	160000	95
170M6341	170M6541		170M6591			450	31000	185000	245000	100
170M6342	170M6542		170M6592			500	39000	235000	310000	105
170M6343	170M6543		170M6593			550	55000	325000	435000	110
170M6344	170M6544	170M6494	170M6594	170M6644		630	83500	495000	665000	115
170M6345	170M6545	170M6495	170M6595	170M6645		700	115000	705000	940000	120
†170M6346	170M6546	170M6496	†170M6596	170M6646		800	205000	995000	1300000	125
‡170M6347	†170M6547	170M6497	‡170M6597	170M6647		900	305000	1500000	1900000	130
‡170M6348	†170M6548	170M6498	‡170M6598	170M6648	1000	450000	2150000	2750000	135	
‡170M6349	‡170M6549	170M6499	‡170M6599	170M6649	1100	575000	2800000	3600000	140	
		170M6500		170M6650	†1250	810000	3950000		145	
		170M6501		170M6651	†1400	1250000	6000000		150	

†Rated voltage (IEC) 1100V.
‡Rated voltage (IEC) 1000V.

Data Sheets: 170K6630 (Size 1*), 170K6632 (Size 1), 170K6634 (Size 2), 170K6636 (Size 3)

Square Body Fuses

Flush End Contact - Size 4

690V : 1000 – 4000A

Specifications

Description: High speed square body fuses, for the protection of the power rectifier section of the equipment.



Ratings:

Volts: — 690Vac

Amps: — 1000-4000A

IR: — 200kA RMS Sym.

Operating Class: aR

Agency Information: CE, Designed and tested to IEC

60269: Part 4, UL Recognized.

Catalogue Numbers:

Fuse Size	Catalogue Number				Electrical Characteristics				
	B/65 Visual Indicator	-BKN/65 Type K Indicator	-G/65 Visual Indicator	-GKN/65 Type K Indicator	Rated Voltage (V)	Rated Current RMS-Amp	I^2t (A ² Sec)		Watts Loss (W)
							Pre-arc	Clearing at 660V	
4	170M7058	170M7078	170M7098	170M7118	690	1000	76000	505000	175
	170M7059	170M7079	170M7099	170M7119		1250	145000	965000	195
	170M7060	170M7080	170M7100	170M7120		1400	205000	1400000	205
	170M7061	170M7081	170M7101	170M7121		1600	305000	2050000	220
	170M7062	170M7082	170M7102	170M7122		2000	600000	3950000	245
	170M7063	170M7083	170M7103	170M7123		2500	1200000	7800000	275
	170M7064	170M7084	170M7104	170M7124		3000	2000000	13500000	305
	170M7065	170M7085	170M7105	170M7125		3500	3250000	22000000	325
	170M7066	170M7086	170M7106	170M7126		600	4000	4700000	28000000+

+ Clearing at 600V

Data Sheet: 170K6328

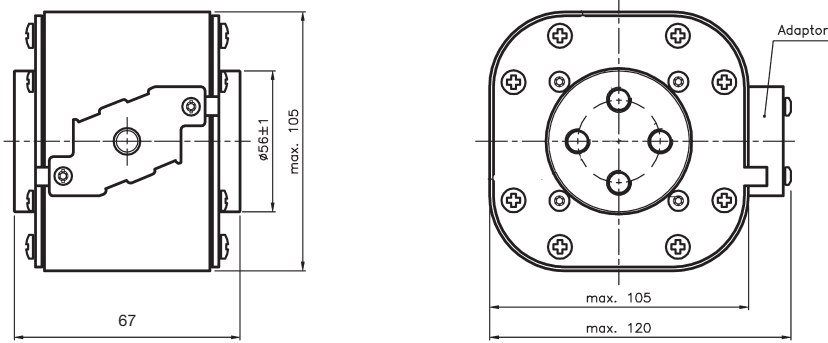
Square Body Fuses

Flush End Contact - Size 4

690V : 1000 – 4000A

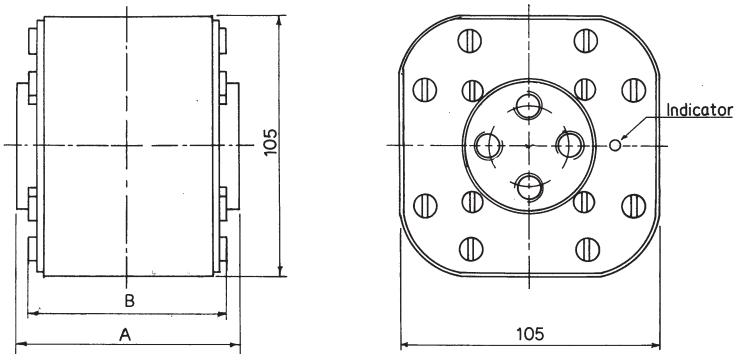
Dimensions (mm):

Type –BKN/65 , -GKN/65



	PCD	Thread
GKN/65	Ø 38.1	UNC 1/2" - 13
BKN/65	Ø 33	M-10

Type –B/65 , -G/65



	PCD	Thread
G/65	Ø38,1	UNC 1/2" - 13
B/65	Ø 33	M-10

Square Body Fuses

Flush End Contact - Size 4 1000V (IEC) : 1000 – 3200A

Specifications

Description: High speed square body fuses, for the protection of the power rectifier section of the equipment.

Ratings:

- Volts: — 1000Vac
- Amps: — 1000-3200A
- IR: — 125kA RMS Sym.

Operating Class: aR

Agency Information: CE, designed and tested according to IEC 60269: Part 4.



Catalogue Numbers:

Fuse Size	Catalogue Number		Electrical Characteristics				Watt Loss (W)
	-BKN/95 Type K Indicator	-SBKN/90 Type K Indicator	Rated Voltage (V)	Rated Current RMS-Amp	I ² t (A ² Sec)		
					Pre-arc	Clearing at 1000V	
4		170M7542	1000	1000	180000	1100000	195
		170M7031		1100	250000	1500000	200
	170M7636	170M7548		1500	600000	3600000	250
	170M7639	170M7034		1700	850000	5000000	260
	170M7661	170M7053		1800	1000000	5950000	265
	170M7963	170M7544		2000	1450000	8600000	270
	170M7090	170M7035		2200	2000000	12000000	280
	170M7640	170M7036		2500	3000000	18000000	295
	170M7658	170M7037		2700	3700000	22000000	310
	170M7962	170M7156		3000	4700000	28000000	380

Data Sheet: 170K8520, 170K8520-R

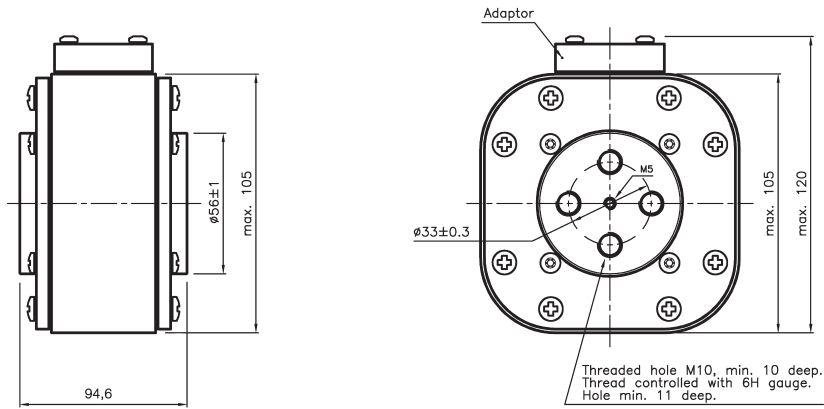
Square Body Fuses

Flush End Contact - Size 4

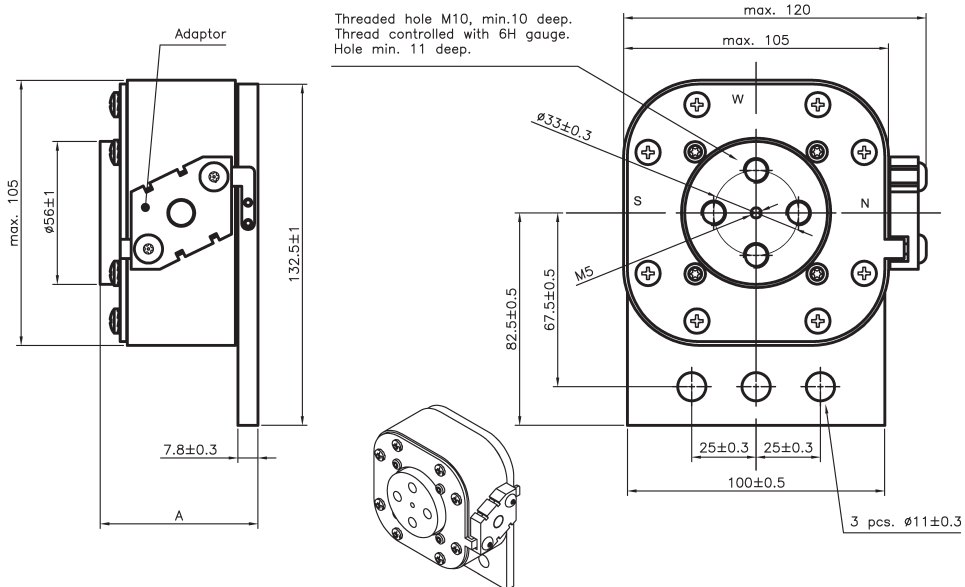
1000V : 1000 – 3200A

Dimensions (mm):

Type 4BKN/95



Type 4SBKN/95



Square Body Fuses

Flush End Contact - Size 4 1250V (IEC) / 1400 – 2500A

Specifications

Description: High speed square body fuses, for the protection of the power rectifier section of the equipment.

Ratings:

- Volts: — 1250Vac
- Amps: — 1400-2500A
- IR: — 125kA RMS Sym.

Operating Class: aR

Agency Information: CE, designed and tested according to IEC 60269 Part 4.

Catalogue Numbers:



Fuse Size	Catalogue Number		Electrical Characteristics				Watt Loss (W)
	-BKN/105 Type K Indicator	-SBKN/105 Type K Indicator	Rated Voltage (V)	Rated Current RMS-Amp	I ² t (A ² Sec)		
					Pre-arc	Clearing at 1250V	
4	170M7217	170M7512	1250	1400	800000	5000000	195
	170M7597	170M7510		1500	1000000	6200000	200
	170M7676	170M7511		1700	1400000	8700000	220
	170M7532	170M7976		1800	1700000	11000000	225
	170M7633	170M7513		2000	2300000	14500000	235
	170M7592	170M7546		2200	3100000	19500000	245
	170M7107	170M7516		2400	4000000	25000000	255
	170M7595	170M7978		2500	4500000	28000000	260

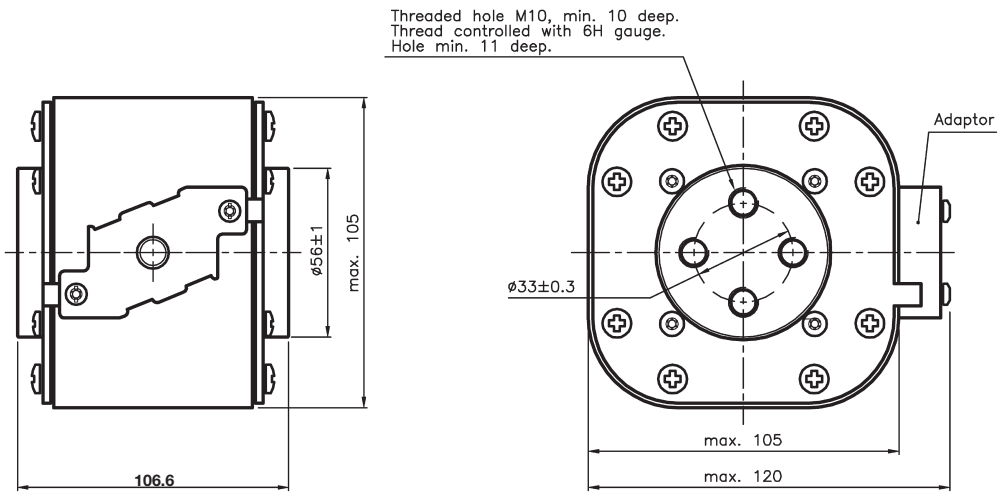
Data Sheet: 170K6640 , 170K6642

Square Body Fuses

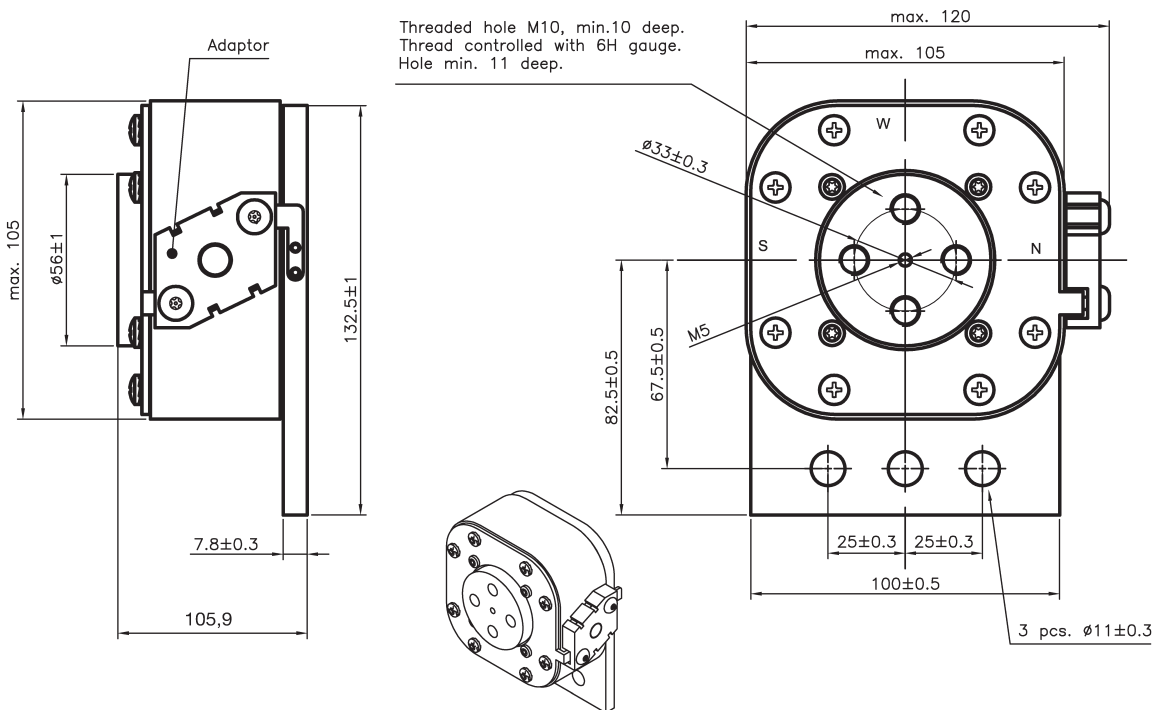
Flush End Contact - Size 4
1250V (IEC) / 1400 – 2500A

Dimensions (mm):

Type 4BKN/105



Type 4SBKN/105



Square Body Fuses

Flush End Contact - Size 23

660V (IEC) / 1000 – 4000A

Specifications

Description: High speed square body fuses, for the protection of the power rectifier section of the equipment.



Ratings:

Volts: — 660Vac

Amps: — 1000-4000A

IR: — 300kA RMS Sym.

Operating Class: aR

Agency Information: CE, designed and tested according to IEC 60269 Part 4.

Catalogue Numbers:

Fuse Size	Catalogue Number						Electrical Characteristics					
	-BU/55 Visual Indicator	-BKE/55 Type K Indicator	-BKN/55 Type K Indicator	-GU/55 Visual Indicator	-GKE/55 Type K Indicator	-GKN/55 Type K Indicator	Rated Voltage (V)	Rated Current RMS-Amp	I ² t (A ² Sec)		Watt Loss (W)	
										Pre-arc		Clearing at 660V
23	170M6858	170M6898	170M6878	170M6918	170M6958	170M6938	660	1000	79,000	530,000	170.0	
	170M6859	170M6899	170M6879	170M6919	170M6959	170M6939		1100	95,000	635,000	185.0	
	170M6860	170M6900	170M6880	170M6920	170M6960	170M6940		1250	155,000	1,050,000	190.0	
	170M6861	170M6901	170M6881	170M6921	170M6961	170M6941		1400	200,000	1,350,000	210.0	
	170M6862	170M6902	170M6882	170M6922	170M6962	170M6942		1500	240,000	1,650,000	215.0	
	170M6863	170M6903	170M6883	170M6923	170M6963	170M6943		1600	315,000	2,150,000	220.0	
	170M6864	170M6904	170M6884	170M6924	170M6964	170M6944		1800	450,000	3,050,000	230.0	
	170M6865	170M6905	170M6885	170M6925	170M6965	170M6945		2000	625,000	4,200,000	240.0	
	170M6866	170M6906	170M6886	170M6926	170M6966	170M6946		2200	805,000	5,400,000	255.0	
	170M6867	170M6907	170M6887	170M6927	170M6967	170M6947		2500	1,250,000	8,350,000	265.0	
	170M6868	170M6908	170M6888	170M6928	170M6968	170M6948		3000	2,250,000	15,500,000	285.0	
	170M6869	170M6909	170M6889	170M6929	170M6969	170M6949		600	3500	3,450,000	21,000,000	315.0
	170M6870	170M6910	170M6890	170M6930	170M6970	170M6950		550	4000	5,000,000	27,500,000	340.0

Data Sheet: 170K6326

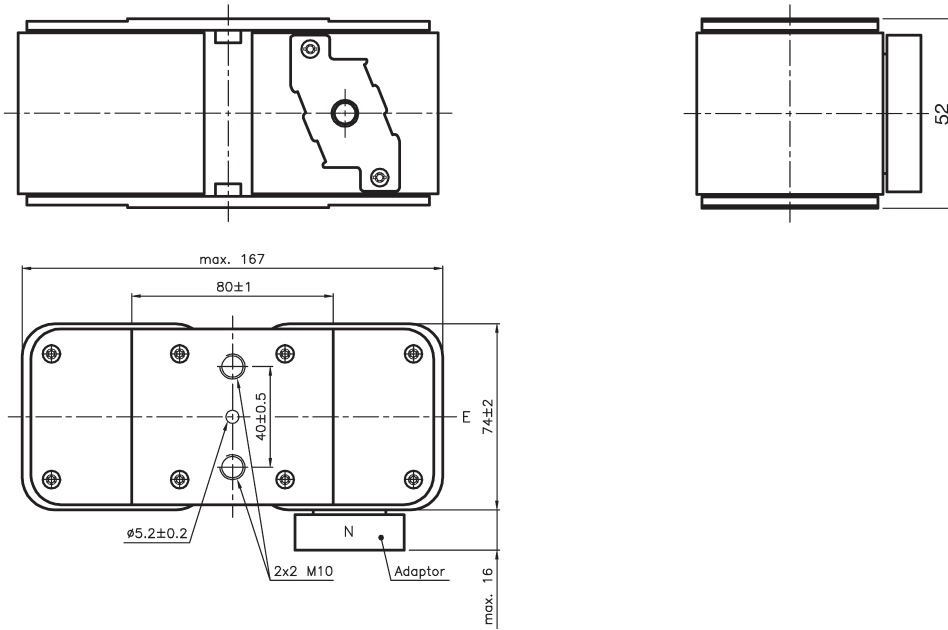
Square Body Fuses

Flush End Contact - Size 23

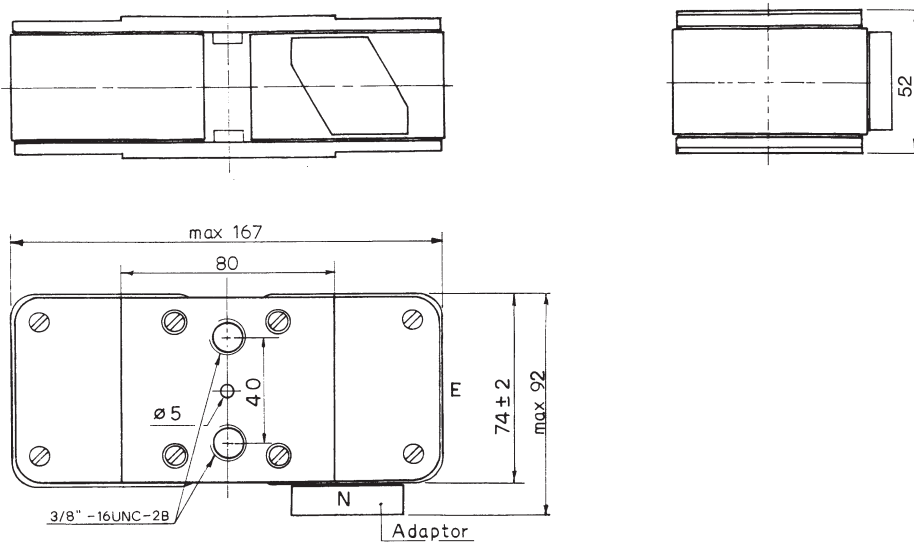
660V (IEC) / 1000 – 4000A

Dimensions (mm):

Type – BU/55, -BKE/55 , -BKN/55



Type –GU/55, -GKE/55, -GKN/55



Square Body Fuses

Flush End Contact - Size 23

1250V (IEC) / 1000 – 4000A

Specifications

Description: High speed square body fuses, for the protection of the power rectifier section of the equipment.

Ratings:

Volts: — 1250Vac

Amps: — 630-2800A

IR: — 125kA RMS Sym.



Operating Class: aR

Agency Information: CE, designed and tested according to IEC 60269 Part 4.

Catalogue Numbers:

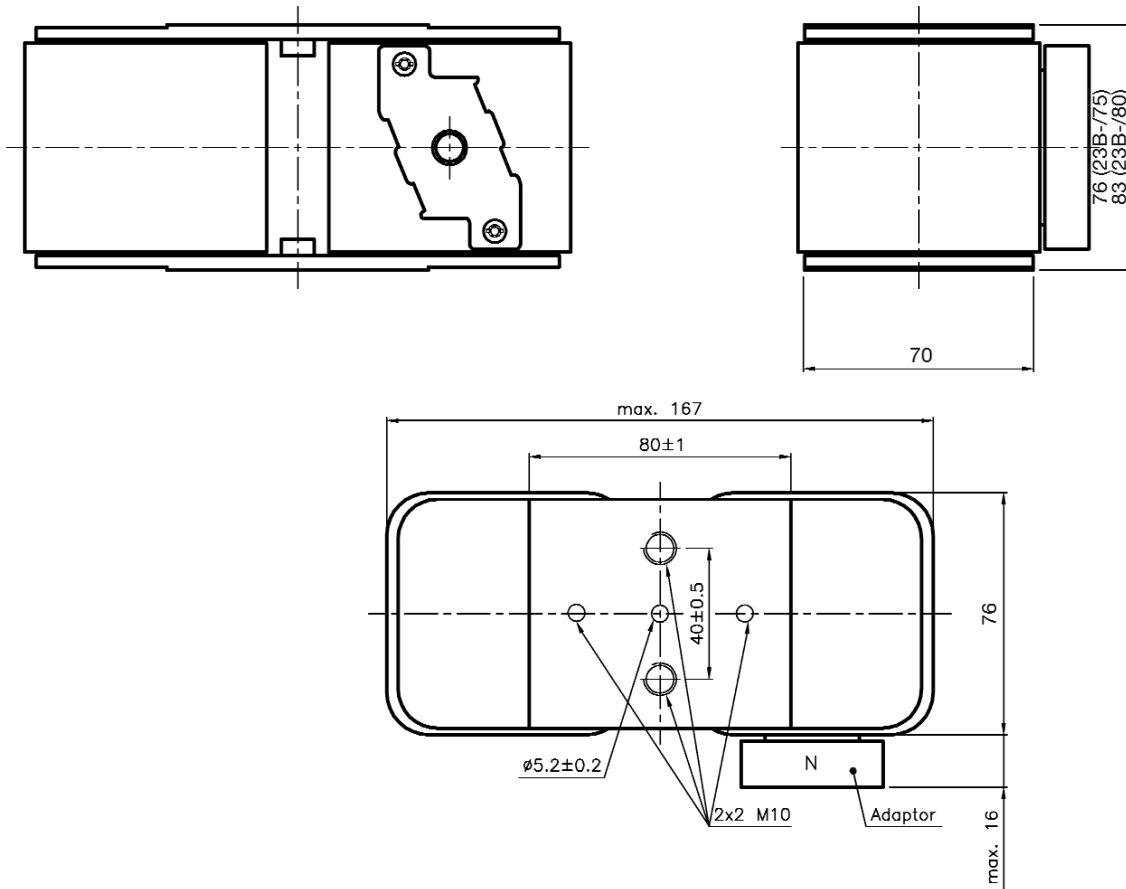
Fuse Size	Catalogue Number						Electrical Characteristics				
	-BU/75 without Indicator	-BKE/75 Type K Indicator	-BKN/75 Type K Indicator	-BU/80 without Indicator	-BKE/80 Type K Indicator	-BKN/80 Type K Indicator	Rated Voltage (V)	Rated Current RMS-Amp	I ² t (A ² Sec)		Watts Loss (W)
									Pre-arc	Clearing at 1250V	
23	170M6775	170M6795	170M6785				1250	630	38000	310000	170
	170M6776	170M6796	170M6786					700	54000	440000	180
	170M6777	170M6797	170M6787					800	78000	640000	190
	170M6805	170M6807	170M6806					900	120000	980000	200
	170M6778	170M6798	170M6788					1000	155000	1250000	210
	170M6779	170M6799	170M6789					1100	220000	1750000	220
	170M6780	170M6800	170M6790					1250	330000	2700000	230
	170M6781	170M6801	170M6791					1400	460000	3800000	240
	170M6782	170M6802	170M6792					1600	820000	5200000	250
	170M6783	170M6803	170M6793					1800	1200000	7600000	260
				170M6784	170M6804	170M6794		2000	1800000	11000000	270
				170M6815	170M6833	170M6827		2200	2300000	14500000	280
				170M6816	170M6834	170M6828	1100	2500	3200000	†16000000	290
				170M6817	170M6835	170M6829		2800	5000000	†24000000	300

† A²s @ 1000V
Data Sheet: 170K6638

Square Body Fuses

Flush End Contact - Size 23
 1250V (IEC) / 1000 – 4000A

Dimensions (mm):



Square Body Fuses

Flush End Contact - Size 24

690V (IEC) / 2000 – 7500A

Specifications

Description: High speed square body fuses, for the protection of the power rectifier section of the equipment.

Ratings:

Volts: — 690Vac

Amps: — 2000-7500A

IR: — 300kA RMS Sym.



Operating Class: aR

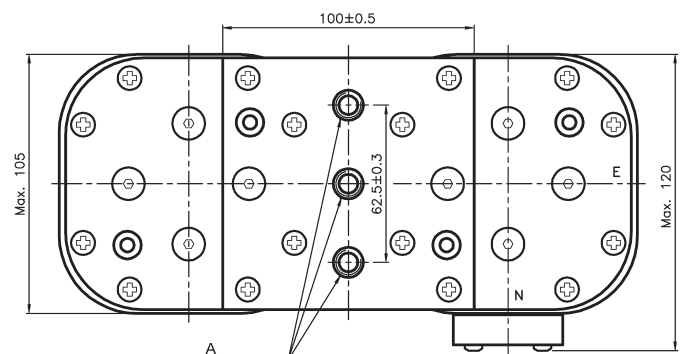
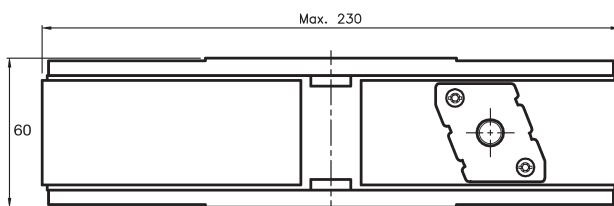
Agency Information: CE, designed and tested according to IEC 60269:Part 4.

Catalogue Numbers:

Fuse Size	Catalogue Number				Electrical Characteristics					
	-BU/60 without Indicator	-BKN/60 Type K Indicator	-GU/60 without Indicator	-GKN/60 Type K Indicator	Rated Voltage (V)	Rated Current RMS-Amp	I ² t (A ² Sec)		Watts Loss (W)	
							Pre-arc	Clearing at 660V		
24	170M7138	170M7158	170M7198	170M7218	690	2000	340000	2300000	340	
	170M7139	170M7159	170M7199	170M7219		2500	650000	4350000	390	
	170M7140	170M7160	170M7200	170M7220		3000	1100000	7300000	430	
	170M7141	170M7161	170M7201	170M7221		3500	1800000	12000000	460	
	170M7142	170M7162	170M7202	170M7222		4000	2700000	18000000	490	
	170M7143	170M7163	170M7203	170M7223		4500	3800000	25500000	520	
	170M7144	170M7164	170M7204	170M7224		5000	5450000	36500000	540	
	170M7145	170M7165	170M7205	170M7225		5500	7400000	49500000	560	
	170M7146	170M7166	170M7206	170M7226		6000	9600000	64000000	580	
	170M7147	170M7167	170M7207	170M7227		6500	12500000	83000000	600	
	170M7148	170M7168	170M7208	170M7228		7000	15000000	100000000	630	
	170M7149	170M7169	170M7209	170M7229		500	7500	18500000	†93000000	660

† A²s @ 500V
Data Sheet: 170K6332

Dimensions (mm):



Size	A
24BKN	2x3 M12
24GKN	2x3 1/2" 16UNC-2B

Square Body Fuses

Flush End Contact - Size 24

1000V (IEC) / 2000 – 5000A

Specifications

Description: High speed square body fuses, for the protection of the power rectifier section of the equipment.

Ratings:

Volts: — 1000Vac

Amps: — 2000-5000A

IR:— 300kA RMS Sym.

Operating Class: aR

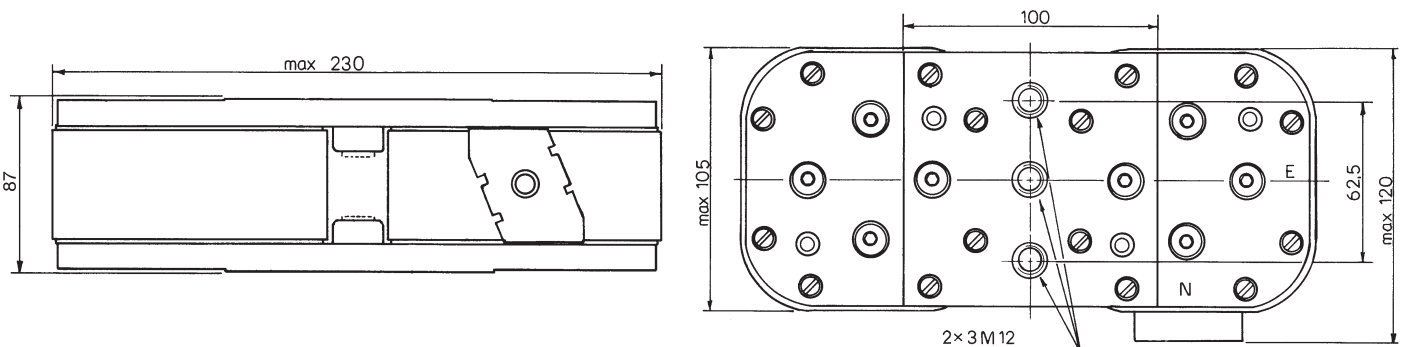
Agency Information: CE, designed and tested according to IEC 60269 Part 4.

Catalogue Numbers:

Fuse Size	Cat. Number -BKN/85 Type K Indicator	Electrical Characteristics				Watt Loss (W)
		Rated Voltage (V)	Rated Current RMS-Amp	I^2t (A ² Sec)		
				Pre-arc	Clearing at 1000V	
24	170M7608	1000	2000	885000	5700000	345
	170M7680		3000	2900000	19000000	430
	170M7567		3200	3300000	20000000	440
	170M7568		3500	4500000	27000000	450
	170M7569		4000	6800000	40000000	475
	170M7498		4200	8000000	47500000	485
	170M7488		4500	10000000	59000000	495
	170M7622		5000	14000000	82500000	540

Data Sheet: 170K7540, 170K8514

Dimensions (mm):



Square Body Fuses

Flush End Contact - Size 5

1000V - 2000V / 1800 - 5000A

Specifications

Description: High speed fuses for protection or isolation for components such as diodes, silicon controlled rectifiers (SCRs), Gate Turn-Off Thyristors (GTOs) and IGBTs. Typical applications include AC and DC drives, high-power rectifiers.

Ratings:

Volts: — 1000V - 2000V

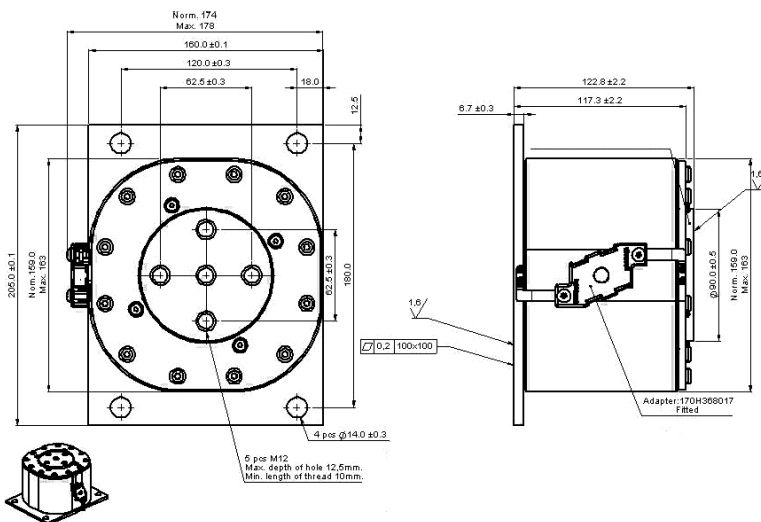
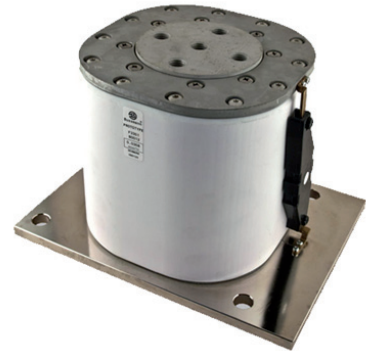
Amps: — 1800A - 5000A

IR: — 300kA RMS Sym. Estimated, 197kA Tested

Operating Class: aR

Agency Information: Consult Cooper Bussmann,

bulehighspeedtechnical@cooperindustries.com



This dimension drawing is an example of the range of size 5 fuse links available.

Drive Fuse

DFJ Series – Class J

600V / 1 – 600A

Specifications

Description: High speed fuses that provide maximum protection for AC and DC drives and controllers. The DFJ fuse has the lowest I²t of any branch circuit fuse to protect power semiconductor devices that utilize diodes, GTOs, SCRs and SSRs. The DFJ fuses combines the performance of high speed semiconductor fuses and the convenience of Class J branch circuit fuses, allowing the use of readily available Class J fuse blocks, holders and switches.

Ratings:

Volts: – 600Vac / 450Vdc

Amps: – 1- 600A

IR: – 200kA RMS Sym., 100kAdc

Operating Class: UL branch circuit protection -aR, (IEC-gG)

Agency Information: UL Listed , Std.248-8, Class J, Guide JDDZ, File E4273 CSA Certified, C22.2 No. 248.8, Class 1422-02, File 53787 Meets NEC branch circuit protection.

Catalogue Numbers:

Fuse Type	Catalogue Number	Rated Voltage (V)	Rated Current A
DFJ	DFJ-1	660Vac 450Vdc	1
	DFJ-2		2
	DFJ-3		3
	DFJ-4		4
	DFJ-5		5
	DFJ-6		6
	DFJ-8		8
	DFJ-10		10
	DFJ-12		12
	DFJ-15		15
	DFJ-20		20
	DFJ-25		25
	DFJ-30		30
	DFJ-35		35
	DFJ-40		40
	DFJ-45		45
	DFJ-50		50
	DFJ-60		60
	DFJ-70		70
	DFJ-80		80
	DFJ-90		90
	DFJ-100		100
	DFJ-110		110
	DFJ-125		125
	DFJ-150		150
	DFJ-175		175
	DFJ-200		200
	DFJ-225		225
DFJ-250	250		
DFJ-300	300		
DFJ-350	350		
DFJ-400	400		
DFJ-450	450		
DFJ-500	500		
DFJ-600	600		

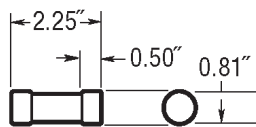


Drive Fuse

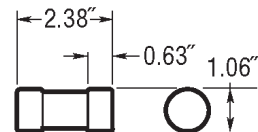
DFJ Series – Class J

600V / 1 – 600A

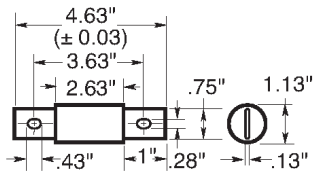
Dimensions (in):



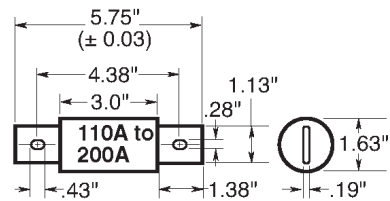
1A to 30A



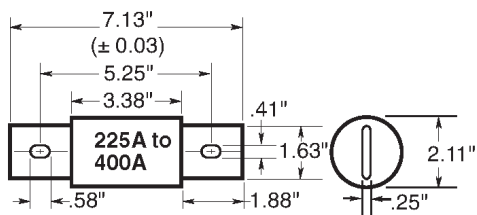
35A to 60A



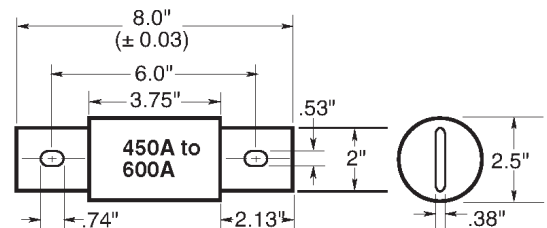
70A to 100A



110A to 200A



225A to 400A



450A to 600A

IGBT Fuses

IGBT Fuses

690Vac - 750Vdc / 25 - 630A

Specifications

Description: High speed fuses for the protection of IGBT modules, optimized for use in IGBT inverter circuits with DC-link voltages up to 750Vdc. Low inductance $\leq 15\text{nH}$.

Ratings:

Volts: — 690Vac / 750Vdc - Tested at 863Vdc according to IEC 60269-4.

— 700Vac / 800Vdc - Tested at 800Vdc according to UL 248-1

Amps: — 25-630A

IR: — 200kA RMS Sym.

— 50kA dc (1ms tc)

Operating Class: aR

Agency Information: UL DC recongnized, 800Vdc L/R 1mS. min.

Catalogue Numbers:



Fuse Size	Cat. Number		Electrical Characteristics			Watt Loss (W)
	-FU/70	Rated Voltage (V)	Rated Current RMS-Amp	I^2t (A ² Sec)		
				Pre-arc	Clearing at 690V	
000	170M1750	690	25	25.0	135.0	12.0
	170M1751		32	45.0	240.0	13.0
	170M1752		40	75.0	395.0	14.0
	170M1753		50	135.0	695.0	16.0
	170M1754		63	260.0	1350.0	17.0
	170M1755		80	460.0	2350.0	20.0
	170M1756		100	795.0	4000.0	25.0
	170M1757		125	1300.0	6800.0	29.0
	170M1758		160	2550.0	13500.0	34.0
	170M1759		200	4350.0	22000.0	40.0
	170M1760		250	7400.0	37500.0	48.0
	170M1761		315	12500.0	65000.0	60.0
	170M1762		350	17000.0	88000.0	65.0
	230		170M1770	690	100	380
170M1771		125	645		3300	42
170M1772		160	1350		7000	47
170M1773		200	2550		13500	54
170M1774		250	4950		25000	62
170M1775		315	9350		47500	72
170M1776		350	12000		61000	78
170M1777		400	18500		94500	80
170M1778		450	27000		140000	85
170M1779		500	37500		190000	90
170M1780		550	48500		245000	95
170M1781	630	69500	355000	105		

Data Sheet: Size 000 - 170K6422

Size 230 - 170K6426

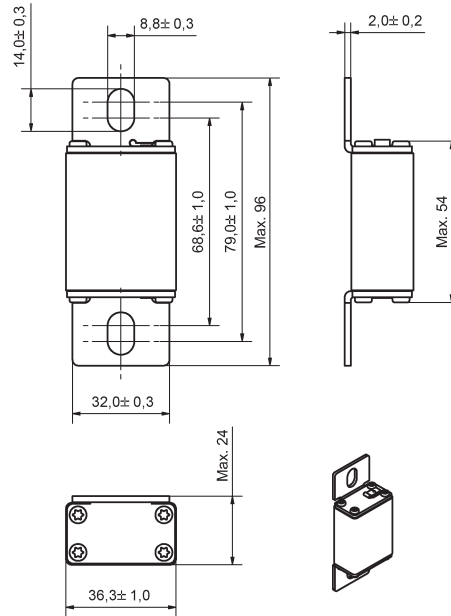
IGBT Fuses

IGBT Fuses

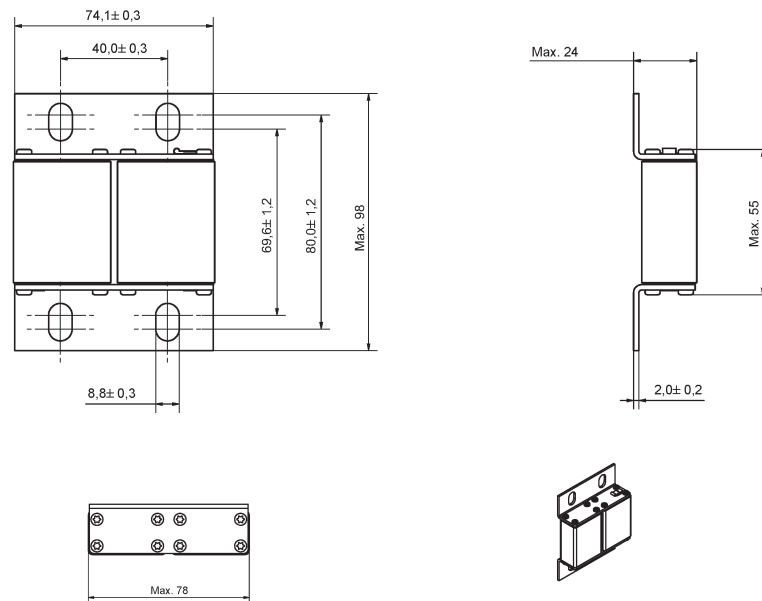
690Vac / 750Vdc / 25 - 630A

Dimensions (mm):

Size 000



Size 230



IGBT Fuses

IGBT Fuses

1000Vac - 1000Vdc / 25 - 500A

Specifications

Description: High speed fuses for the protection of IGBT modules, optimized for use in IGBT inverter circuits with DC-link voltages up to 1000Vdc. Low inductance $\leq 20\text{nH}$.

Ratings:

- Volts: — 1000Vac / 1000Vdc - Tested at 1150Vdc according to IEC 60269-4
- 1000Vac / 1000Vdc - Tested at 1000Vdc according to UL 248-1
- Amps: — 25-500A
- IR: — 100kA RMS Sym.
- 50kA dc (1ms tc)



Operating Class: aR

Agency Information: UL DC recongnized, 1000Vdc L/R 1mS. min.

Catalogue Numbers:

Fuse Size	Cat. Number		Electrical Characteristics			
	-FU/90	Rated Voltage (V)	Rated Current RMS-Amp	I^2t (A ² Sec)		Watt Loss (W)
				Pre-arc	Clearing at 1000V	
000		1000	25	19	95	14
	170M1803		32	34	170	17
	170M1804		40	61	300	20
	170M1805		50	135	675	21
	170M1806		63	245	1200	22
	170M1807		80	505	2500	27
	170M1808		100	1050	5150	32
	170M1809		125	1900	9500	34
	170M1810		160	4050	20000	37
	170M1811		200	8500	42000	43
	170M1812		225	12000	59000	45
	170M1813		250	16000	79500	48
	230		170M1824	100	600	3050
170M1825		125	1200	6050	42	
170M1826		160	2550	13000	48	
170M1827		200	4650	23000	55	
170M1828		250	9300	45500	62	
170M1829		315	18500	91500	68	
170M1830		350	24500	125000	75	
170M1831		400	37500	185000	80	
170M1832		450	52000	260000	85	
170M1833		500	69500	340000	90	

Data Sheet: Size 000 - 170K6680

Size 230 - 170K6682

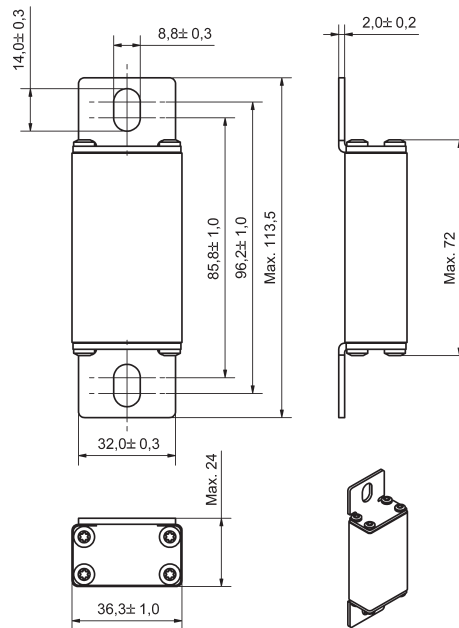
IGBT Fuses

IGBT Fuses

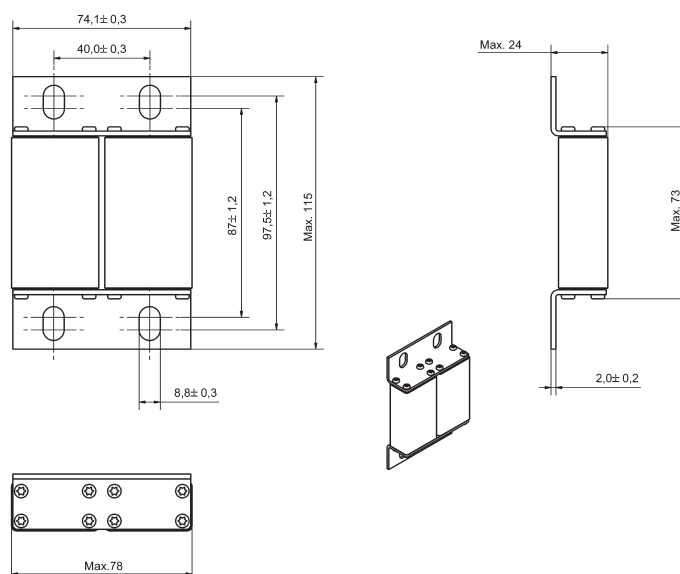
1000Vac - 1000Vdc / 25 - 500A

Dimensions (mm):

Size 000



Size 230



DC Fuses

DC Fuses

750Vdc / 63 - 500A

Specifications

Description: High speed fuses for the protection of DC circuits in equipment.

Ratings:

Volts: — 750Vdc

Amps: — 63-500A

IR: — 750Vdc IR : 100kA, L/R = 100 ms

— 1000Vdc IR : 100kA, L/R = 40 ms

Operating Class: gR

Agency Information: Consult Cooper Bussmann

Catalogue Numbers:

Fuse Size	Catalogue Numbers		Electrical Characteristics		
	-BK/130	-EK/-	Rated Voltage (Vdc)	Rated Current RMS-Amp	Watt Loss (W)
1*	170E3577	170E3583	750	63	10.0
	170E3578	170E3584		80	13.0
	170E3579	170E3585		100	16.0
	170E3580	170E3586		125	21.0
	170E3581	170E3587		160	26.0
1	170E5417	170E5420		200	37.0
	170E5418	170E5421		250	46.0
2	170E8335	170E8345		250	47.0
	170E8336	170E8346		315	57.0
	170E8337	170E8347		400	73.0
3	170E9681	170E9685	500	91.0	

Data Sheet: Size 1*: 170K3620
 Size 1: 170K3622
 Size 2: 170K3624
 Size 3: 170K3626
 Microswitch: 170H0069, 170H3027 (gold)



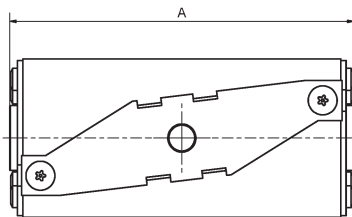
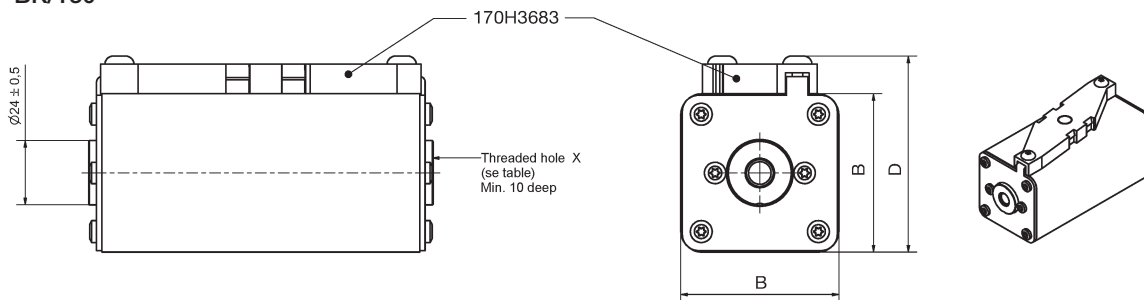
DC Fuses

DC Fuses

750Vdc / 63 - 500A

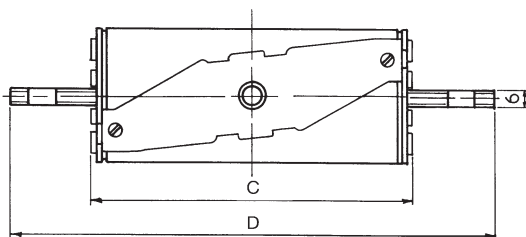
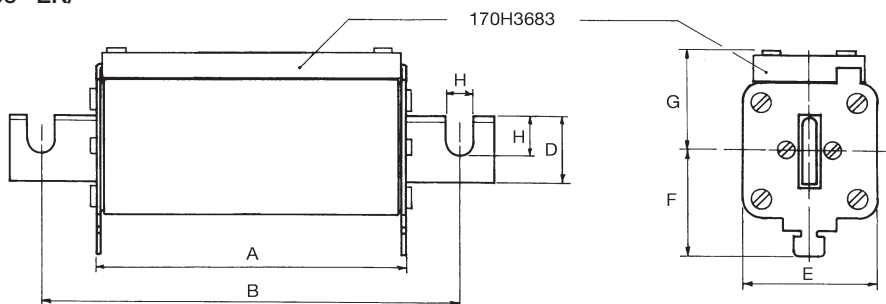
(mm):

Type -BK/130



Size/Type	A	B	D
1* BK/130	129	43	61
1 BK/130	130	51	69
2 BK/130	130	59	77
3 BK/130	131	74	90

Type -EK/-



Size/Type	A	B	C	D	E	F	G	H	I	J
1* EK/155	124	156	129	180	43	36	41	9	9	18
1 EK/165	124	166	129	191	51	37	41	11	14	25
2 EK/170	124	170	129	205	59	42	48	13	21	30
3 EK/170	125	170	130	206	74	51	56	13	20	36

DC Fuses

DC Fuses

1200Vdc / 160 - 420A

Specifications

Description: High speed fuses that provides superior protection in light and heavy harsh DC traction applications as 1200Vdc and below circuits, and as DC link/power converters.

Ratings:

Volts: – 1200Vdc

Amps: – 160-420A

IR: – 1200Vdc = 100kA L/R: 15mS

Operating Class: aR

Agency Information: Consult Cooper Bussmann

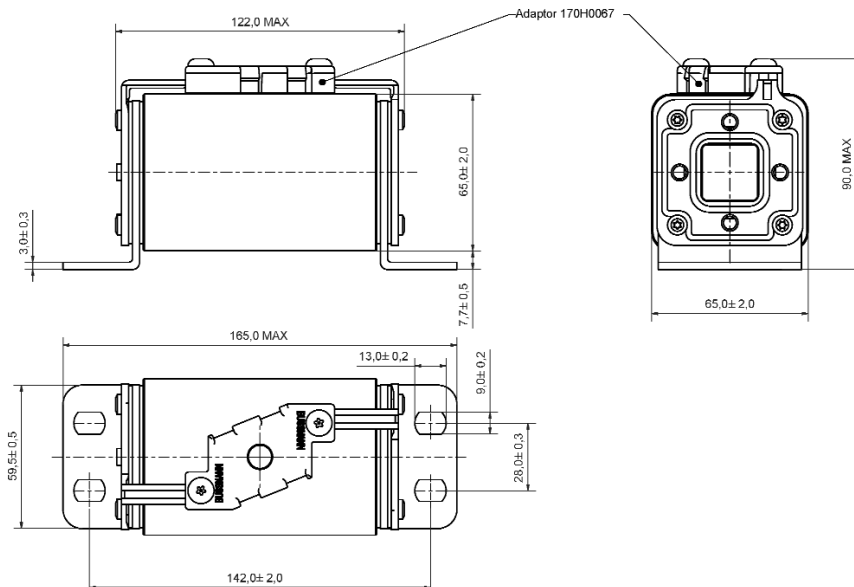
Catalogue Numbers:



Fuse Type	Cat. Numbers -SKNB/140 Type K Indicator	Rated Voltage (Vdc)	Rated Current RMS-Amp	Electrical Characteristics		Watts Loss (W)
				Max Ft (A²Sec) @ 1000V DC		
				L/R = 15ms	L/R = 45ms	
2SKN / 140	170F8230	1200	160	12000	20000	75.0
	170F8231		200	20000	35000	85.0
	170F8232		250	43000	75000	94.0
	170F8233		315	87000	150000	104.0
	170F8234		400	180000	310000	120.0
	170F8235		420	215000	375000	122.0

Data Sheet: 170K5520
Microswitch: 170H0069, 170H3027 (gold)

Dimensions (mm):



DC Fuses

DC Fuses

2000Vdc / 10 - 125A

Specifications

Description: High speed fuses for the protection of DC circuits in equipment.

Ratings:

Volts: — 2000Vdc

Amps: — 10-125A

IR: — 30kA-L/R=30mS (gR)

— 60kA-L/R=25mS (aR)

Operating Class: gR, aR

Agency Information: Consult Cooper Bussmann

Catalogue Numbers:

Operating Class: gR

IR= 30kA - L/R =30mS

Fuse Type	Cat. Number	Electrical Characteristics		
	-SKN/246 Type K Indicator	Rated Voltage (Vdc)	Rated Current RMS-Amp	Watt Loss (W)
1*SKN/246	170E3976	2000	10	7
	170E3970		16	11
	170E3950		20	13
	170E3951		25	17
	170E3952		32	22
	170E3953		40	27
	170E3954		50	34
	170E3955		63	43
	170E3956		80	50

Data Sheet: 170K4538
Microswitch: 170H0239, 170H3030 (gold)

Operating Class: aR

IR= 60kA - L/R =25mS

Fuse Type	Cat. Number	Electrical Characteristics		
	-SKN/246 Type K Indicator	Rated Voltage (Vdc)	Rated Current RMS-Amp	Watt Loss (W)
1*SKN/246	170E3937	2000	20	13
	170E3938		25	16
	170E3939		32	20
	170E3940		40	25
	170E3941		50	32
	170E3942		63	40
	170E3943		80	51
	170E3944		100	64
	170E3945		125	80

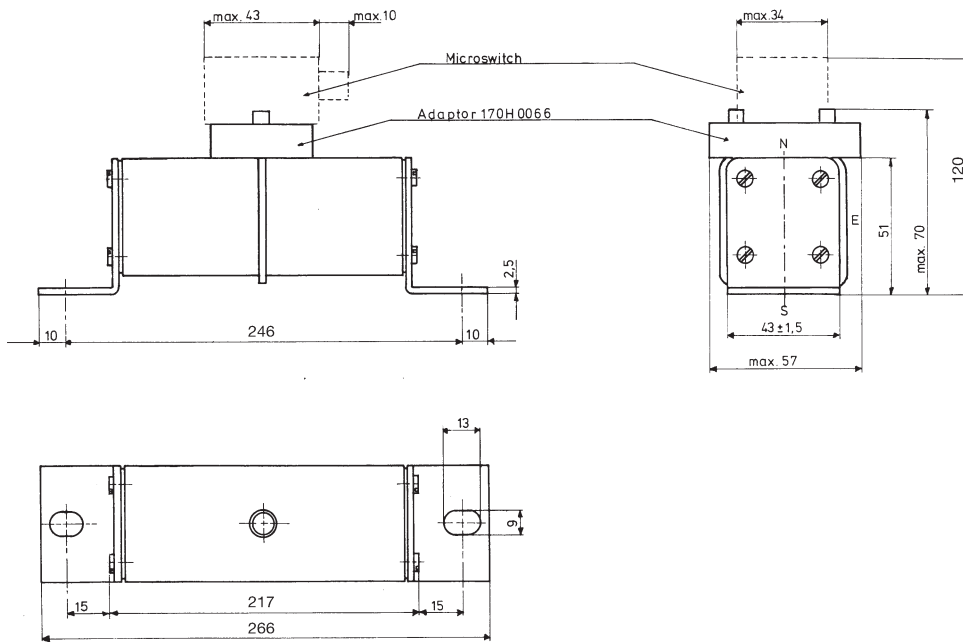
Data Sheet: 170K4900
Microswitch: 170H0239, 170H3030 (gold)



DC Fuses

DC Fuses
2000Vdc / 10 - 125A

Dimensions (mm):



DC Fuses

DC Fuses

4000Vdc / 20 - 450A

Specifications

Description: High speed fuses for the protection of the DC circuits in equipment.

Ratings:

Volts: — 4000Vdc

Amps: — 20-450A

IR: — 60kA-L/R = 25mS

Operating Class: aR

Agency Information: Consult Cooper Bussmann

Catalogue Numbers:



Fuse Type	Cat. Numbers		Electrical Characteristics	
	-SKN/394 Type K Indicator	Rated Voltage (Vdc)	Rated Current RMS-Amp	Watts Loss (W)
1*SKN/394	170E3914	4000	20	23
	170E3915		25	28
	170E3916		32	34
	170E3917		40	45
	170E3918		50	57
	170E3919		63	72
	170E3984		80	91
	170E3933		100	114
	170E3922		125	143
2 SKN/394	170E8882	4000	160	182
	170E8883		200	228
	170E8884		250	285
2//2SKN/394	170E8885	4000	315	360
	170E8886		350	400
	170E8887		400	455
	170E8888		450	515

Data Sheet: Size 1* - 170K6600
 Size 2 & 2// - 170K6604
 Microswitch: 170H3036

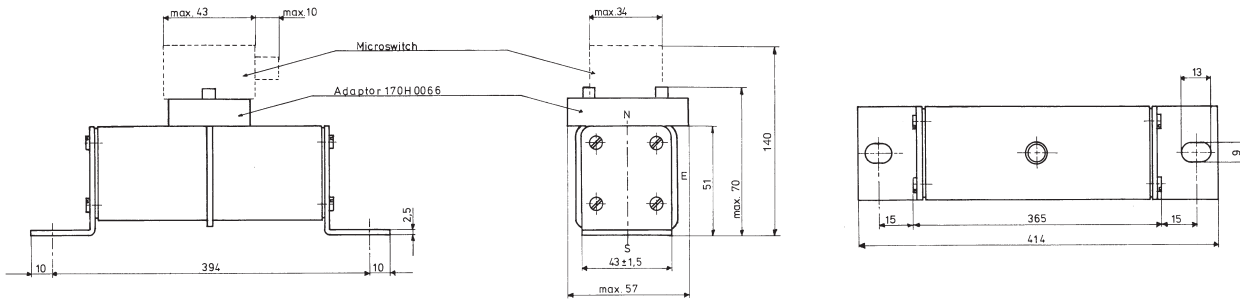
DC Fuses

DC Fuses

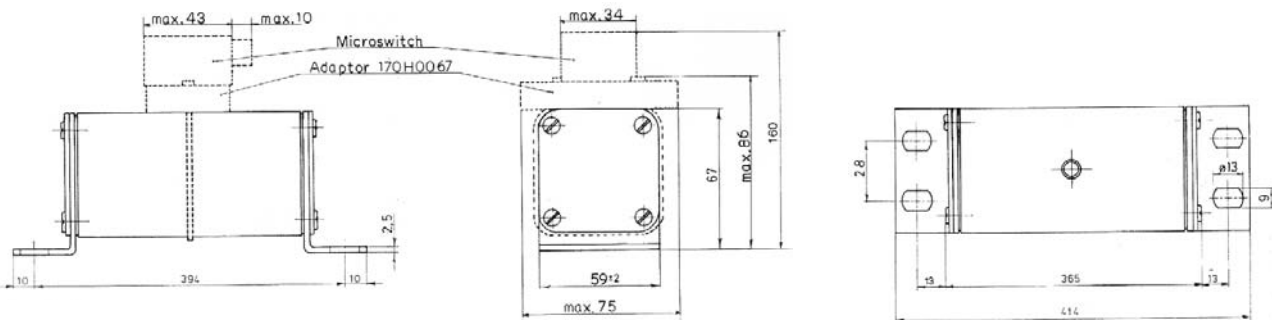
4000Vdc / 20 - 450A

Dimensions (mm):

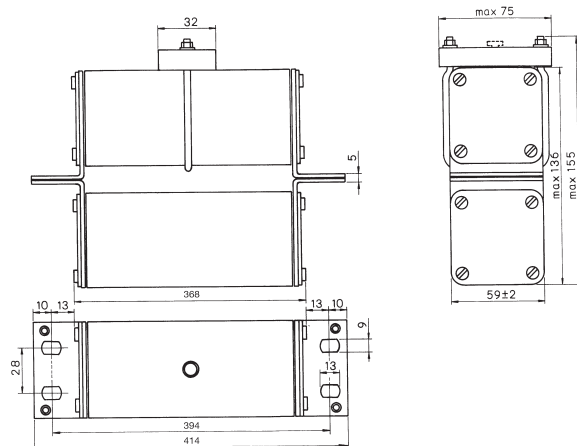
Type 1*SKN/394



Type 2SKN/394



Type 2//SKN/394



Traction Fuses

FWK - Traction Fuses

750Vdc / 5-30A (20 x 127mm)

35-60A (25 x 146mm)

Specifications

Description: ferrule style high speed fuses for light rail applications as auxiliary power and distribution circuits and equipment.

Ratings:

Volts: — 750Vdc (Time constant = 10-15mS)

Amps: — 5-60A

IR: — 50kA RMS Sym.



Operating Class: gR

Agency Information: Consult Cooper Bussmann

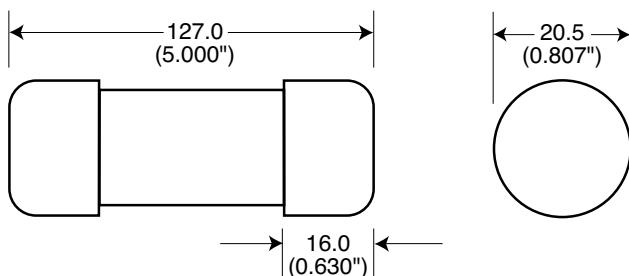
Catalogue Numbers:

Cat. Number	Fuse Size	Electrical Characteristics		
		Rated Current RMS-Amp	I ² t (A ² Sec)	
			Pre-arc	Clearing at 750Vdc
FWK-5A20F	20x127mm (¹³ / ₁₆ " x 5")	5	8,5	16
FWK-8A20F		8	50	100
FWK-10A20F		10	95	200
FWK-15A20F		15	100	240
FWK-20A20F		20	125	315
FWK-25A20F		25	400	1100
FWK-30A20F	25x146mm (1" x 5 ³ / ₄ ")	30	800	2600
FWK-35A20F		35	1300	4300
FWK-40A20F		40	1600	5300
FWK-50A20F		50	3100	12000
FWK-60A20F	60	5900	24000	

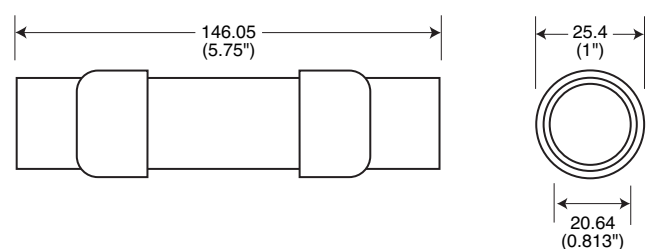
Data Sheets: 720039, 35785031

Dimensions - mm (in):

5-30A



35-60A



Traction Fuses

KC36 - Traction Fuses

750Vdc / 5 - 60A

Specifications

Description: High speed fuses for traction applications.

Ratings:

Volts: — 750Vdc

Amps: — 5-60A

IR: — Consult Cooper Bussmann



Operating Class: gR

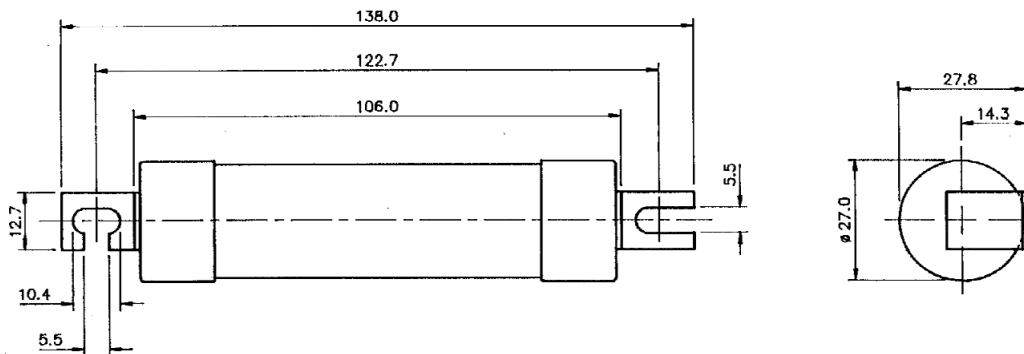
Agency Information: Consult Cooper Bussmann

Catalogue Numbers:

Fuse Type	Catalogue Number	Electrical Characteristics			
		Rated Voltage (Vdc)	Rated Current RMS-Amp	I ² t (A ² Sec)	
				Pre-arc	Clearing at 750Vdc
KC36	5KC36	750	5	8.5	16
	8KC36		8	50	100
	10KC36		10	95	200
	15KC36		15	100	240
	20KC36		20	125	315
	25KC36		25	400	1100
	30KC36		30	800	2600
	35KC36		35	1300	4300
	40KC36		40	1600	5300
	50KC36		50	3100	12000
60KC36	60	5900	24000		

Data Sheet: KC36

Dimensions:



Traction Fuses

LRC750 - Traction Fuses

750Vdc / 30 - 50A

Specifications

Description: High speed fuses for traction applications.

Ratings:

Volts: — 750Vdc

Amps: — 30-50A

IR: — Consult Cooper Bussmann

Operating Class: gR

Agency Information: Consult Cooper Bussmann

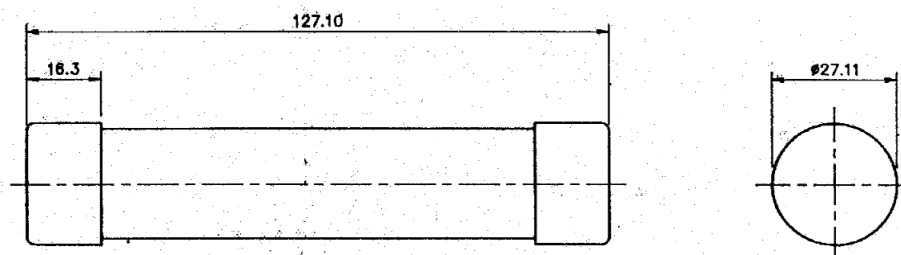
Catalogue Numbers:



Fuse Type	Cat. Number	Electrical Characteristics				Watt Loss (W)
		Rated Voltage (Vdc)	Rated Current RMS-Amp	I^2t (A ² Sec)		
				Pre-arc	Clearing at 750Vdc	
LRC750	30LRC750	750	30	700	2250	4.5
	40LRC750		40	1800	5300	5.8
	50LRC750		50	3100	12000	9.4

Data Sheet: LRC750

Dimensions (mm):



Traction Fuses

170E Series - Traction Fuses 750Vdc / 63 - 500A

Specifications

Description: High speed fuses for heavy rail applications in main electrical feeds as catenary high wire or pantagraph high wire.

Ratings:

Volts: — 750Vdc

Amps: — 63-500A

IR: — 750Vdc-IR:100kA, L/R= 100mS
1000Vdc-IR:100kA, L/R= 40mS

Operating Class: gR

Agency Information: Consult Cooper Bussmann

Catalogue Numbers:



Fuse Size	Catalogue Numbers		Electrical Characteristics		
	-BK/130	-EK/-	Rated Voltage (Vdc)	Rated Current RMS-Amp	Watts Loss (W)
1*	170E3577	170E3583	750	63	10.0
	170E3578	170E3584		80	13.0
	170E3579	170E3585		100	16.0
	170E3580	170E3586		125	21.0
	170E3581	170E3587		160	26.0
1	170E5417	170E5420		200	37.0
	170E5418	170E5421		250	46.0
2	170E8335	170E8345		250	47.0
	170E8336	170E8346		315	57.0
	170E8337	170E8347		400	73.0
3	170E9681	170E9685	500	91.0	

Data Sheet: Size 1*: 170K3620
Size 1: 170K3622
Size 2: 170K3624
Size 3: 170K3626
Microswitch: 170H0069, 170H3027 (gold)

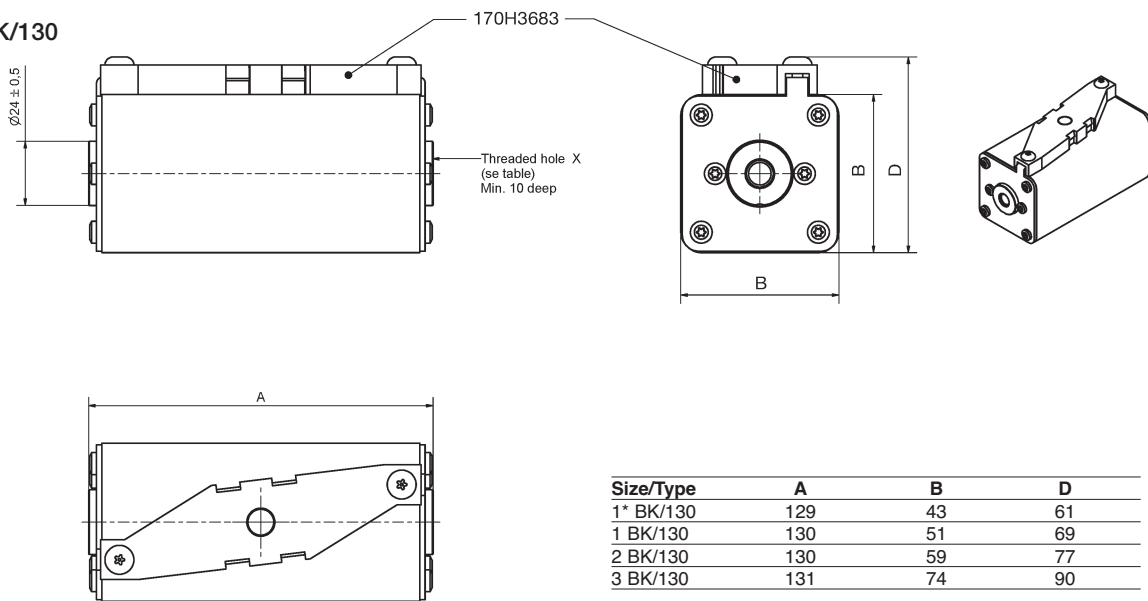
Traction Fuses

170E Series - Traction Fuses

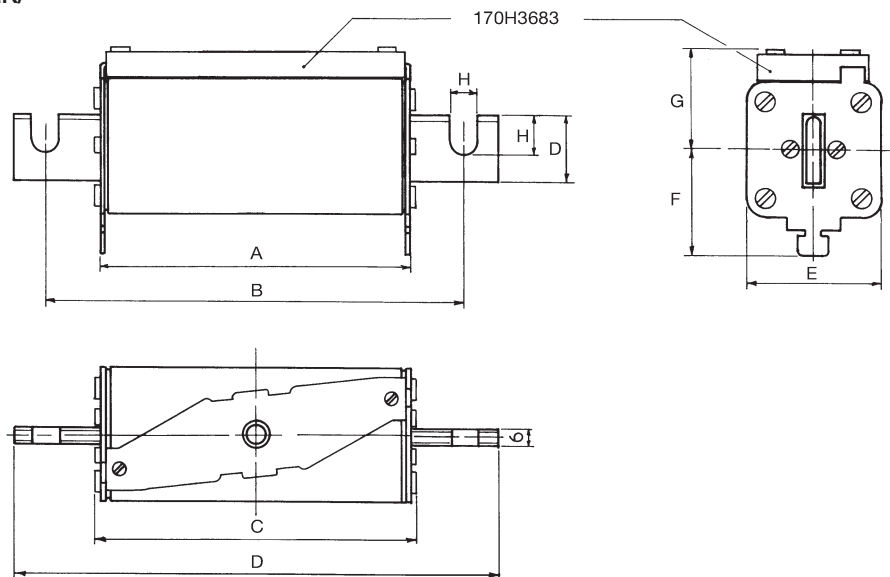
750Vdc / 63 - 500A

Dimensions (mm):

Type -BK/130



Type -EK/-



Traction Fuses

FWL - Traction Fuses

1000Vdc / 20 - 30A

Specifications

Description: Ferrule style high speed fuses for light applications as in auxiliary power and distribution equipment, and for heavy rail applications as in instrumentation and control circuits equipment.

Ratings:

Volts: — 1000Vdc

Amps: — 2-30A

IR: — 50kA @ 1000Vdc (15ms)



Operating Class: gR

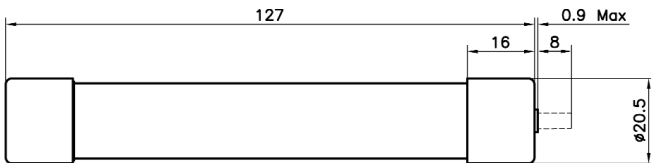
Agency Information: Consult Cooper Bussmann

Catalogue Numbers:

Catalog Numbers	Catalogue Number with indicator	Fuse Size	Electrical Characteristics			
			Rated Current RMS-Amps	I ² t (A ² Sec)		Watts Loss
				Pre-arc	Clearing at 1000Vdc	
FWL-20A20F	FWL-20A20FI	20 x 127mm (¹³ / ₁₆ " x 5")	20	675	1550	5.9
FWL-25A20F	FWL-25A20FI		25	1200	2760	6.5
FWL-30A20F	FWL-30A20FI		30	1850	4300	7.5

Data Sheets: 720040, 35785109

Dimensions mm (in):



Traction Fuses

170F Series - Traction Fuses 1200Vdc / 160 - 420A

Specifications

Description: High speed fuses that provides superior protection in light and heavy harsh DC traction applications as 1200Vdc and below circuits, and as DC link/power converters.

Ratings:

Volts: — 1200Vdc

Amps: — 160-420A

IR: — 1200Vdc = 100kA L/R: 15mS

Operating Class: aR

Agency Information: Consult Cooper Bussmann

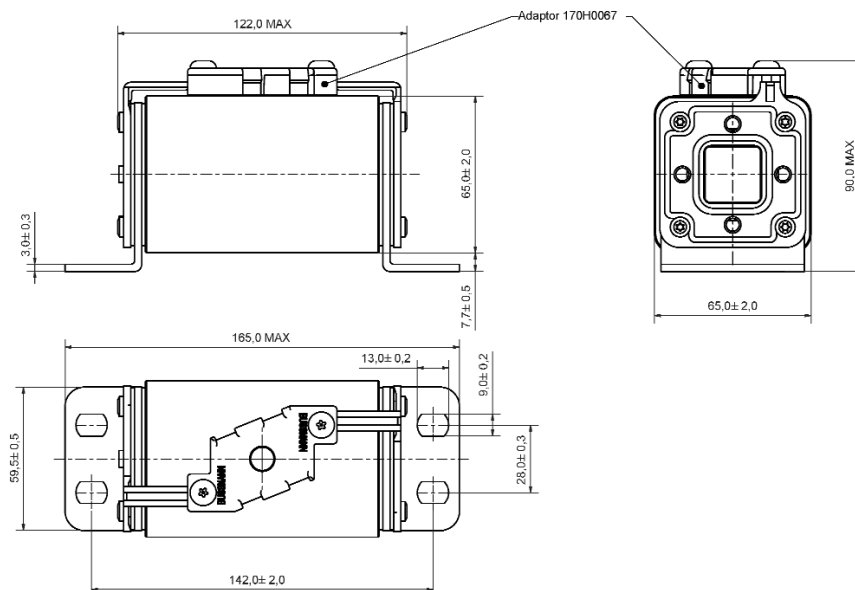
Catalogue Numbers:

Fuse Type	-SKNB/140 Type K Indicator	Electrical Characteristics				Watt Loss (W)
		Rated Voltage (Vdc)	Rated Current RMS-Amp	Max Pt (A ² Sec) @ 1000Vdc		
				L/R = 15ms	L/R = 45ms	
2SKN/140	170F8230	1200	160	12000	20000	75.0
	170F8231		200	20000	35000	85.0
	170F8232		250	43000	75000	94.0
	170F8233		315	87000	150000	104.0
	170F8234		400	180000	310000	120.0
	170F8235		420	215000	375000	122.0

Data Sheet: 170K5520
Microswitch: 170H0069, 170H3027 (gold)



Dimensions (mm):



Traction Fuses

NBC - Traction Fuses

1500Vdc / 25 - 200A

Specifications

Description: High speed fuses for heavy rail applications such as auxiliary and distribution equipment. Extremely low let through and very high DC voltage capacity in highly inductive load.

Ratings:

Volts: — 1500Vdc

Amps: — 25-200A

IR: — Consult Cooper Bussmann for interrupting rating and time constant capabilities.

Operating Class: gR

Agency Information: Consult Cooper Bussmann

Catalogue Numbers:



Fuse Type	Catalogue Numbers	Electrical Characteristics	
		Rated Voltage (Vdc)	Rated Current RMS-Amp
NBC	NBC25	1500	25
	NBC60		60
	NBC70		70
	NBC100		100
	NBC150		150
	NBC200		200

Dimensions: Consult Cooper Bussmann

Traction Fuses

RC Fuses

Specifications: Fuses for use in third rail systems.

Ratings:

Volts: – 750Vdc

Amps: – 200-400A

IR: – Consult Cooper Bussmann for interrupting rating and time constant capabilities.

Operating Class: Consult Cooper Bussmann

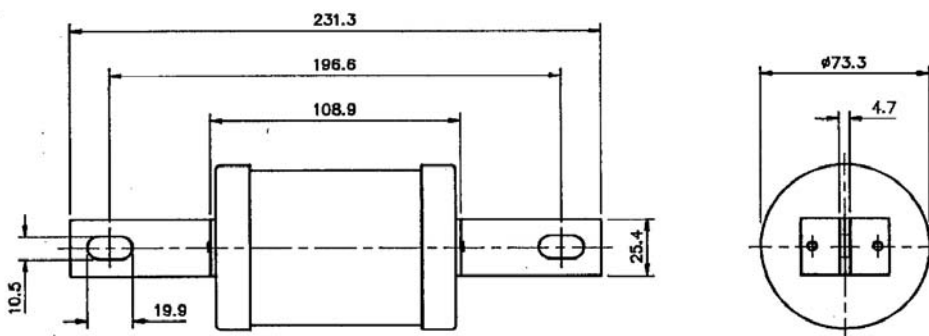
Agency Information: Consult Cooper Bussmann

Catalogue Numbers:

Fuse Type	Catalogue Numbers	Rated Voltage (Vdc)	Rated Current RMS-Amp	Pre-Arcing	Nom. Watts Loss
RC	200RC	750	200	85000	31
	250RC		250	225000	33
	300RC		300	340000	37
	350RC		350	530000	41
	400RC		400	756000	48

Data Sheets: RC.

Dimensions: Consult Cooper Bussmann



Traction Fuses

SF75 Series - Third Rail Collector Fuses

900Vdc / 160 - 1000A

Specifications: Fuses for use in third rail systems.

Ratings:

Volts: — 900Vdc

Amps: — 160-1000A

IR: — Consult Cooper Bussmann for interrupting rating and time constant capabilities.

Operating Class: Consult Cooper Bussmann

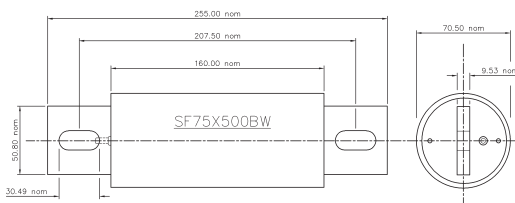
Agency Information: Consult Cooper Bussmann

Catalogue Numbers:

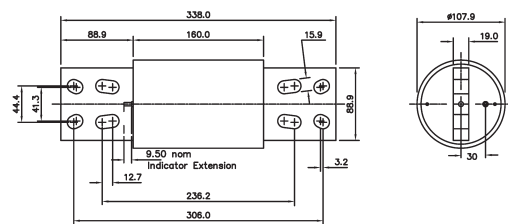
Fuse Type	Catalogue Numbers		Elec. Characteristics	
	Blade Contacts	Flush end Contact	Rated Voltage (Vdc)	Rated Current (A)
SF	SF75X160B		900	160
	SF75X250B			250
	SF75X500BW			320
	SF75X800BW	SF75X800BB		800
	SF100X1000	SF100X1000HP		1000

Dimensions (mm):

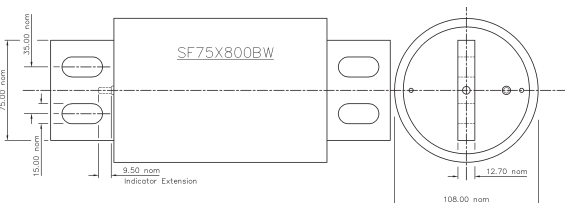
SF75X160B / SF75X250B / SF75X500BX



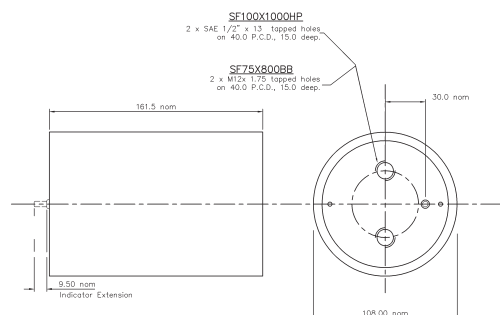
SF100X1000



SF75X800BW



SF75X800BB / SF100X1000HP



Traction Fuses

Collector Fuses

1000Vdc / 63 - 500A

Specifications

Description: High speed fuses for heavy rail applications as main electrical feeders.

Ratings:

Volts: — 1000Vdc

Amps: — 450-1000A

IR: — Consult Cooper Bussmann for interrupting rating and time constant capabilities.

Operating Class: gR

Agency Information: Consult Cooper Bussmann

Catalogue Numbers:

Fuse Type	Catalogue Number	Electrical Character.	
		Rated Voltage (Vdc)	Rated Current RMS-Amp
KBN	KBN-450S	1000	450
KBS	KBS-450C		450
KBO	KBO-800		800
KVX	KVX-1000		1000
KVY	KVY-700		700
KVY	KVY-1000		1000



Dimensions: Consult Cooper Bussmann

Photovoltaic Protection Fuses

PV

1000Vdc / 1 – 15A

Specifications

Description: A range of 10x38mm fuse links specifically designed for protecting photovoltaic strings. These fuse links are capable of interrupting low overcurrents associated with faulted photovoltaic string arrays (reverse current, multi-array fault).

Ratings:

- Volts: – 1000Vdc
- Amps: – 1-15A
- IR: – 33kADC
 - L/R : under 1mS
 - Min Interrupting : 1.3 x I_n

Operating class: gR (PV)

Agency Information: Consult Cooper Bussmann

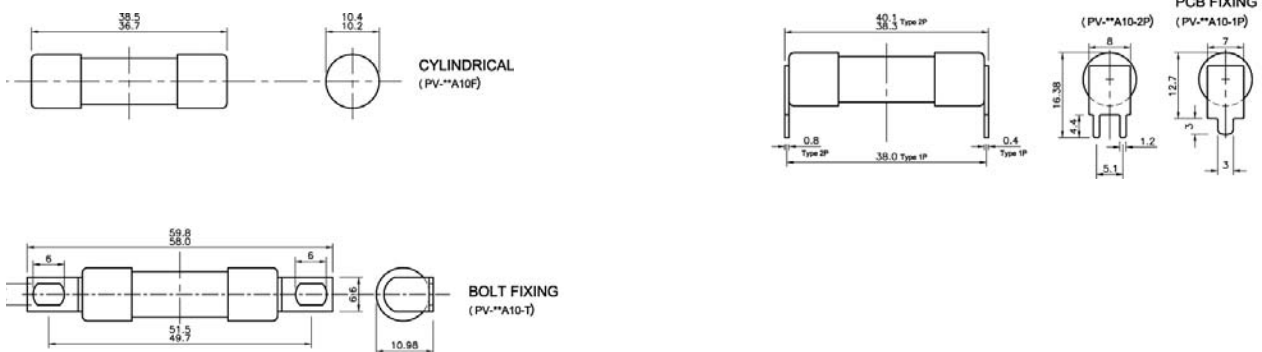
Catalogue Numbers:



Catalogue Number				Current Rating Amps.	Energy Integrals (A²s)		Power Loss (W)	
Cylindrical	Bolt Fixing	PCB Fixing			Pre-Arcing	Total at 1000Vdc	0.8 I _n	I _n
		Single Pin	Double Pin					
PV-1A10F	PV-1A10-T	PV-1A10-1P	PV-1A10-2P	1	0.15	0.4	0.2	1.5
PV-2A10F	PV-2A10-T	PV-2A10-1P	PV-2A10-2P	2	1.2	3.4	0.2	1.0
PV-3A10F	PV-3A10-T	PV-3A10-1P	PV-3A10-2P	3	4	11	0.3	1.3
PV-4A10F	PV-4A10-T	PV-4A10-1P	PV-4A10-2P	4	9.5	26	0.4	1.3
PV-5A10F	PV-5A10-T	PV-5A10-1P	PV-5A10-2P	5	19	50	0.4	1.6
PV-6A10F	PV-6A10-T	PV-6A10-1P	PV-6A10-2P	6	30	90	0.4	1.8
PV-8A10F	PV-8A10-T	PV-8A10-1P	PV-8A10-2P	8	3	32	1.2	2.1
PV-10A10F	PV-10A10-T	PV-10A10-1P	PV-10A10-2P	10	7	70	1.2	2.3
PV-12A10F	PV-12A10-T	PV-12A10-1P	PV-12A10-2P	12	12	120	1.5	2.7
PV-15A10F	PV-15A10-T	PV-15A10-1P	PV-15A10-2P	15	22	220	1.7	2.9

Data Sheet: 720110

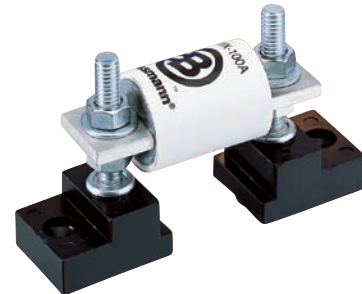
Dimensions (mm):



Fuse Bases for North American, British and Square Body Fuses

Modular Style

Specifications: Cooper Bussmann offers a comprehensive line of fuse bases that provide the user with design and manufacturing flexibility. Two identical half bases make up a Cooper Bussmann® modular fuse base. These “split” units can be panel mounted any distance apart to accommodate any length fuse.

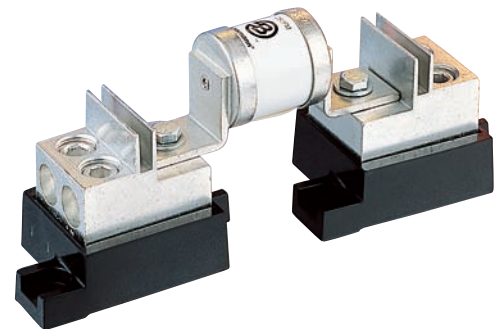


Stud Type: The simpler design is the C5268 series modular fuse base. With this design, the fuse terminal and cable (with termination) are mounted on the same stud, minimizing labor needed for installation. The stud type base is available in the configurations shown in the table below.

Stud Type - Catalogue Numbers:

Catalogue Numbers	Max. Fuse Amp Rating	Stud Height (in)	Stud Dia. & Threads
C5268-1	200	1.00	5/16"-18
C5268-2	200	1.75	5/16"-18
C5268-3	200	0.75	5/16"-18
C5268-4	100	1.00	1/4"-20
C5268-5	100	1.75	1/4"-20

Connector Type: Cooper Bussmann also offers a modular style fuse base that utilizes a tin-plated connector (for wire termination and heat dissipation) and a plated-steel stud (for fuse mounting). The connector type fuse base is available in the configurations shown below. Consult Cooper Bussmann for additional product details.



Connector Type - Catalogue Numbers:

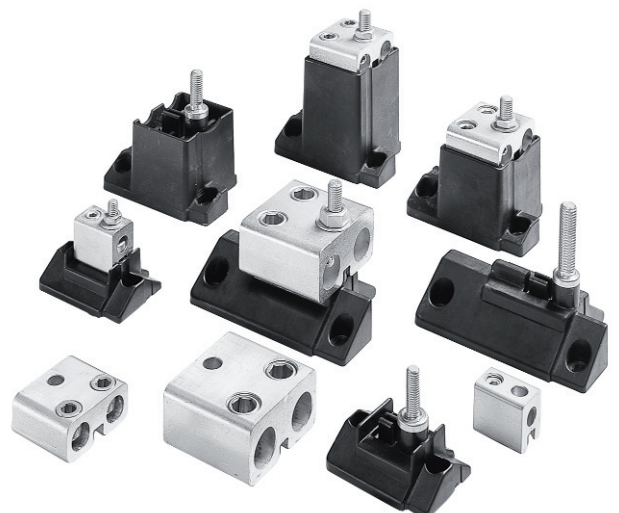
Catalogue Numbers	Max. Voltage	Max. Fuse Amp Rating
1BS101	600	100
1BS102	600	400
1BS103	600	400
1BS104	600	600

BH Series

BH fuse blocks provide a wide range of mounting configurations for Cooper Bussmann High speed (Semiconductor) fuses. BH fuse blocks have a Short-Circuit Current Rating of any installed fuse up to 200,000 RMS Sym.

Connector Type - Catalogue Numbers:

Catalogue Numbers	Max. Voltage	Max. Fuse Amp Rating
BH-0	700	100
BH-1	2500	400
BH-2	5000	600
BH-3	1250	700



Data Sheets: 1200, 1201, 1202, 1203

Fuse Bases for Square Body Fuses

Fixed Center Fuse Bases for DIN 43653 Fuses

Specifications: Fuse bases (blocks) for to use with DIN 43653 square body fuses with Centre distances of 80 and 110 mm. Available for sizes 000, 00, 1*, 1, ,2, 3.

Sizes 000 to 0 Fuse bases:

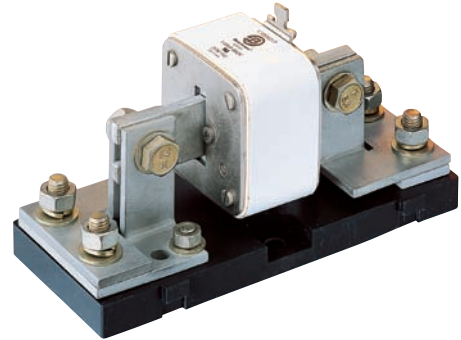
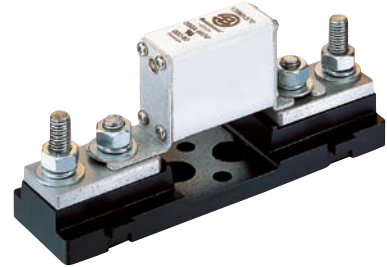
Catalogue Numbers	Max. Volts	Max. Fuse Amp Rating	Centre Distance	Fuse Sizes
170H1007	1000	400	80mm	00,000
170H1013	690	200	80mm	0000,000

Sizes 1* to 3:

Catalog Numbers	Max. Volts	Amp. Rating	Centre Distance
170H3003	1000	630	80mm
170H3004	1000	1250	80mm
170H3005	1400	630	110mm
170H3006	1400	1250	110mm

The fuse bases rated 1250A can also be used for size 3 fuses (690V, 1000V and 1250V). Fuses with higher rated current can be used if the maximum load current is derated according to the table below:

Fuse Amp Rating	Max. Amp Load in Fuse Base
1400	1325
1500	1400
1600	1500
1800	1650
2000	1800



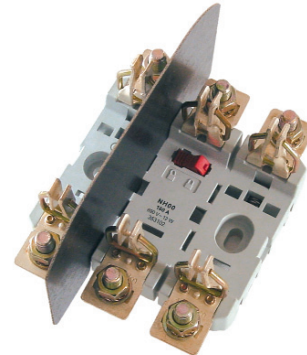
Fuse Bases for Square Body Fuses

Fuse Base for DIN 43620 Fuses

Sizes 000, 00, 1, 2

Specifications

Description: DIN 43620 fuse bases with thermoplastic bodies. DIN rail and screw mounting.



Ratings:

Volts: — 690Vac

Amps: — 160-400A

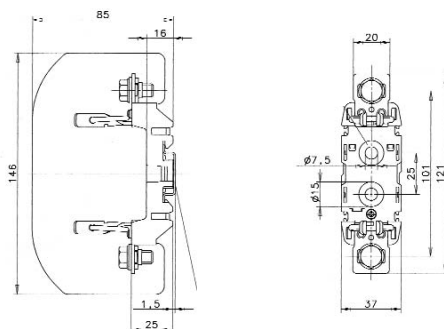
Agency Information: CE, IEC 60269, VDE 0636, DIN 43620

Catalogue Numbers:

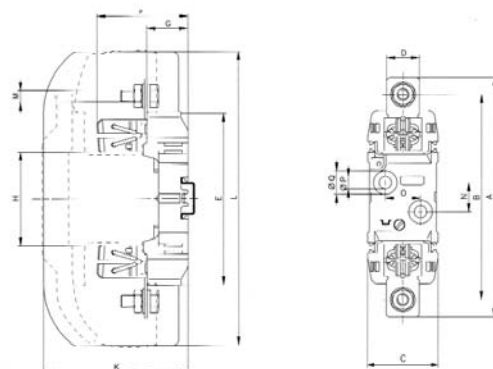
Fuse Size	Poles	Current (A)	Catalogue Numbers	
			Screw mounting	DIN Rail mounting
000 00	1	160A	SB00-S	SB00-D
0	1	160A	SB0-S	SB0-D
1	1	250A	SB1-S	SB1-D
2	1	400A	SB2-S	SB2-D

Dimensions (mm):

Sizes 000 to 00



Sizes 0 to 2



Fuse Size	A	B	C	D	E	F	G	H	K	L	M	N	O	P	Q
0	170	150	47	24	122	63	63	29	91.5	185	M8	25	-	7.5	15
1	200	175	60	28	148	77.5	35	80	123	250	M10	25	30	10.5	20.5
2	225	200	60	32	148	88	35	80	123	250	M12	25	30	10.5	20.5

Modular Fuse Holders for Ferrule Fuses

CHM Series

690Vac / 32A

Size: 10 x 38mm

Specifications

Description: Fuse holder for cylindrical industrial fuses for DIN rail mounting. Available with and without light indicator for fuse operation.

Ratings:

Volts: – 690Vac (IEC) / 690Vac/dc (UL)

Amps: – 32A (IEC) / 30A (UL)

Agency Information: IEC 60269-3, IEC 60947, UL Recognized, CSA Certified.



Catalogue Numbers:

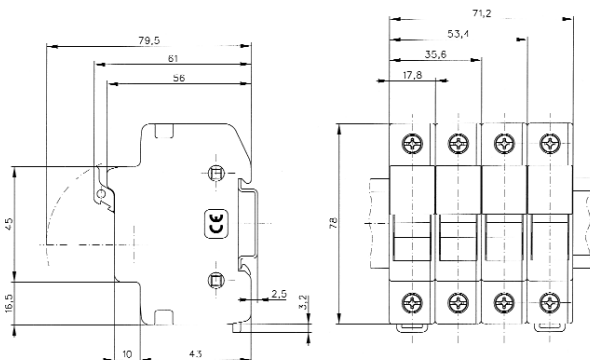
Fuse Size	Poles	Number of Modules	Catalogue Numbers		Current (A)	Voltage (V)	Unit Packing
			References without indicator	References with indicator			
10 x 38	Neutral	1	CHM1DNX	-	32	690	12
	1P	1	CHM1D	CHM1DI			12
	1P + N	1	CHM1DNS	CHM1DNSI			12
	1P + N	2	CHM1DN	CHM1DNI			6
	2P	2	CHM2D	CHM2DI			6
	3P	3	CHM3D	CHM3DI			4
	3P + N	3	CHM3DNS	CHM3DNSI			4
	3P + N	4	CHM3DN	CHM3DNI			3
	4P	4	CHM4D	CHM4DI			3

1 module = 17,5 mm

Accessories:

Description	Fuse Size	Catalogue Numbers	Unit Packing
Clips for assembly of multi-pole fuse holders	8 x 31 - 10 x 38	AL-D	12
Multi phase handle pin connector	8 x 31 - 10 x 38	CH810-HP	12

Dimensions (mm):

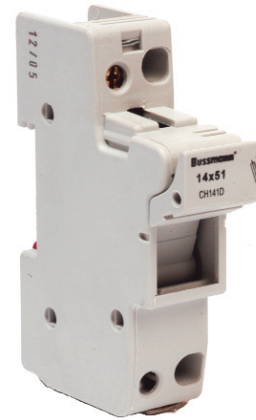


Modular Fuse Holders for Ferrule Fuses

CH Series

690Vac / 50 - 125A

Sizes: 14 x 51mm, 22 x 38mm



Specifications

Description: Fuse holders for cylindrical industrial fuses. DIN rail and screw mounting. Available with and without light indicator for fuse operation and with auxiliary contact for use with striker fuses. The auxiliary contact is available in two versions: detection of fuse operation or fuse presence.

Ratings:

Volts: — 690Vac

Amps: — 50A(14x51)-125A(22x58)

Agency Information: IEC 60269-3, IEC 60947, UL Recognized.

Catalogue Numbers:

Fuse Size	Poles	Number of Mod.	Catalogue Numbers without indicator	Catalogue Numbers with indicator	Catalogue Numbers with aux. contact		Current (A)	Voltage (Vac)
					Fuse operation/ presence and pre-disconnect	Fuse operation		
14 x 51	Neutral	1.5	CH141DNX		-	-	50	690
	1P	1.5	CH141D	CH141DI	CH141DMS-F	CH141DMS		
	1P + N	3	CH141DN	CH141DNI	-	-		
	2P	3	CH142D	CH142DI	-	-		
	3P	4.5	CH143D	CH143DI	CH143DMS-F	CH143DMS		
	3P + N	6	CH143DN	CH143DNI	CH143DNMS-F	CH143DNMS		
22 x 58	Neutral	2	CH221DNX		-	-	125	690
	1P	2	CH221D		-	CH221DMS		
	1P + N	4	CH221DN		-	-		
	2P	4	CH222D		-	-		
	3P	6	CH223D		-	CH223DMS		
	3P + N	8	CH223DN		-	CH22MDNMS		
	4P	8	CH224D		-	-		

1 module = 17,5 mm

Accessories:

Description	Fuse Size	Catalogue Numbers	Unit Packing
Clips for assembly of multi-pole fuse holders	14 x 51	AL-D	12
Multi phase handle pin connector	14 x 51	CH14-P	12
Auxiliary contact - 1-pole	14 x 51	CH14MS-1D	5
Auxiliary contact - 3-pole	14 x 51	CH14MS-3D	2

Modular Fuse Holders for Ferrule Fuses

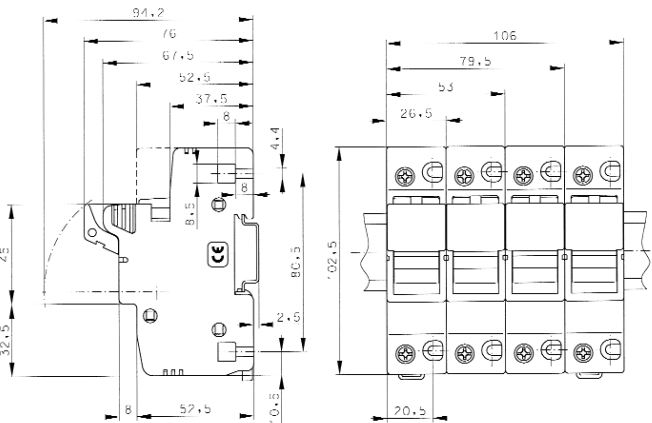
CH Series

690Vac / 50 - 125A

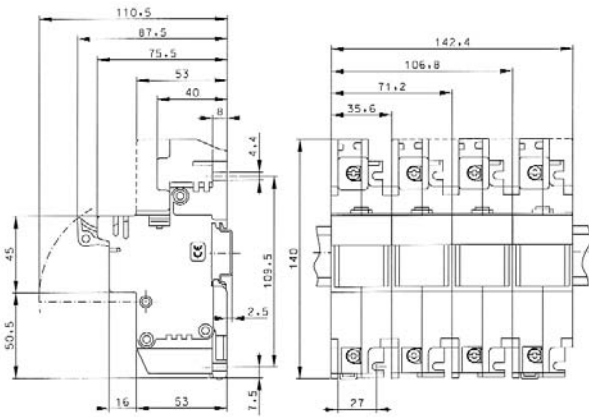
Sizes: 14 x 51mm, 22 x 38mm

Dimensions (mm):

14 x 51 mm



22 x 38 mm



Fuse Bases for Ferrule Fuses

BM Series

600Vac / 30A

Size: 10 x 38mm

Specifications: Fuse blocks for cylindrical industrial fuses.
Screw mounting.

Ratings:

- Volts: — 600Vac
- Amps: — 30A (box lug terminal)
- 20A (With quick connector terminal)

Agency Information: UL Recognized, UL 512, Guide IZTL2, File 14853 CSA Certified, C22.2 No.39, Class-6225-01, File 47235.



Catalogue Numbers:

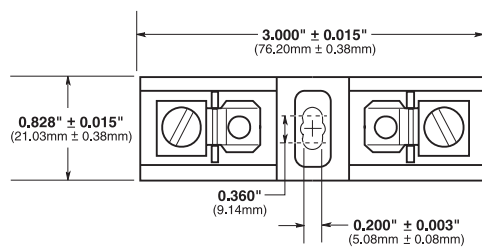
Fuse Size	Poles	Catalogue Number		
		Terminal Type		
		Screw w/ Quick Connector*	Pressure Plate w/ Quick Connector*	Box Lug
10 x 38	1	BM6031SQ	BM6031PQ	BM6031B
	2	BM6032SQ	BM6032PQ	BM6032B
	3	BM6033SQ	BM6033PQ	BM6033B

Data Sheet: 1104

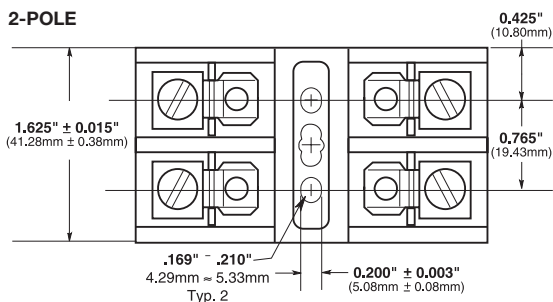
* size which quick connect is 1/4" and is rated at 20A max

Dimensions - in (mm):

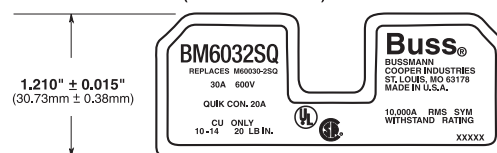
1-POLE



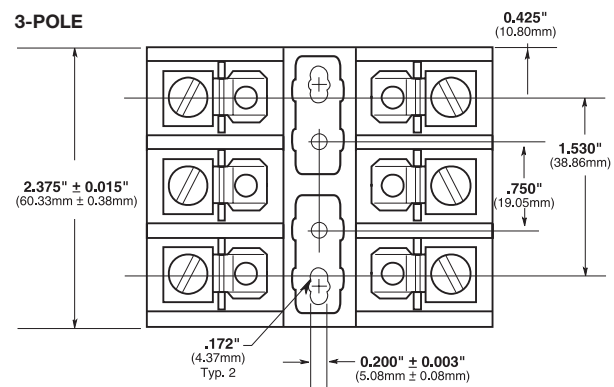
2-POLE



FUSEBLOCK LABEL (EXAMPLE SHOWN)



3-POLE



Fuse Bases for Ferrule Fuses

J70100 Series
700Vac / 100A
Size: 22 x 58mm

Specifications: Fuse blocks for cylindrical industrial fuses.
Screw mounting.

Ratings:

Volts: — 700Vac
Amps: — 100A



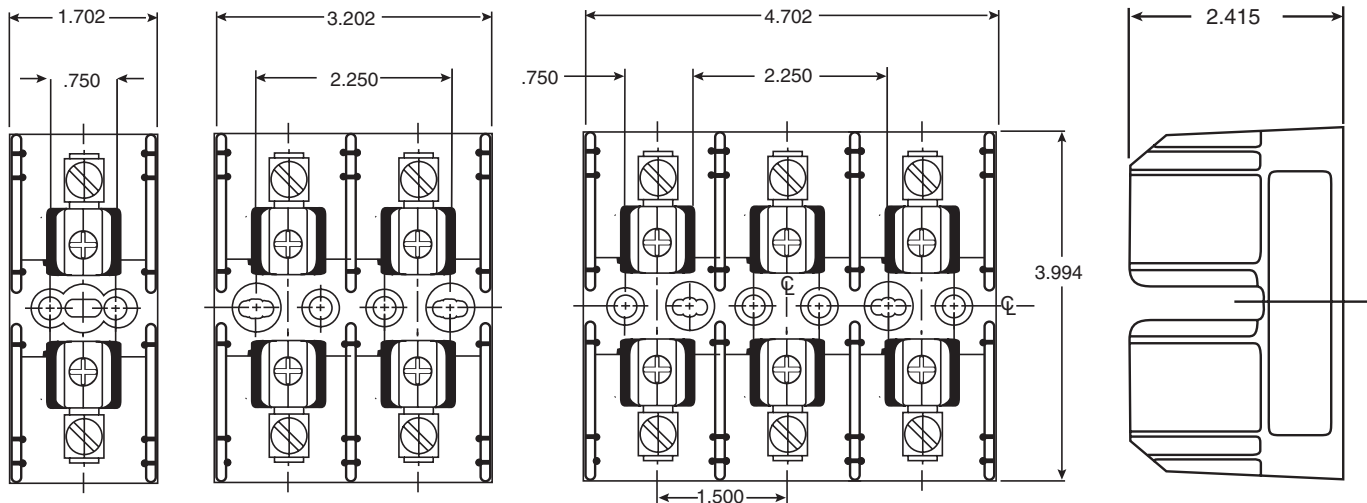
Agency Information: UL Recognized, Guide IZTL2, File 14853.

Catalogue Numbers:

Fuse Size	Poles	Catalogue Number
		Box Lug w/ Retaining Clip
22 x 58	1	J70100-1CR
	2	J70100-2CR
	3	J70100-3CR

Data Sheet: 1211

Dimensions (in):



Microswitches for Square Body Fuses

Indicator Systems

High speed square body fuses are available with three different indicator systems.

1. Visual Indicator

The indicator situated in one end plate is clearly visible as soon as the fuse has operated. The minimum voltage for operating the indicator is 20V.

2. Type T Indicator

The indicator is situated on one cover plate with a cover plate tag to accommodate an auxiliary switch. The minimum voltage for operating the indicator is 20V. A special low voltage indicator (1.5V) is available on request.

3. Type K Indicator

This indicator is situated on the fuse body. It is covered by an adapter for snap-on mounting of an auxiliary switch. The operating voltage of the indicator is 1.5V. As a matter of safety, the factory mounted adapter must not be removed from the fuse.



Microswitches

Specifications: High speed square body fuses with either Type T indicator or Type K indicator can be equipped with a microswitch. For remote electrical indication of fuse operations. All microswitches have one normally open and one normally closed contact.

Ratings:

Volts: — 250Vac

Amps: — 2A

Catalogue Numbers:

Catalogue Numbers	Terminals		Indicator Type
	6.3 x 0.8mm Lugs	2.8 x 0.5mm Lugs	
170H0235	X		T
170H0236	X		T
170H0237		X	T
170H0238		X	T
170H0069	X		K

Fuse Size	Catalogue Numbers								
	DIN 43 653		DIN 43 620		French Style		Flush End		US Style
	Type T	Type K	aR-Fuse	gR-Fuse & dual indicator	Type T	Type K	Type T	Type K	Type K
000	170H0236		170H0236	170H0236					
	170H0238		170H0238	170H0238					
00	170H0235		H0236	170H0236			170H0235		
	170H0237		H0238	170H0238			170H0237		
1*	170H0235	170H0069	170H0235		170H0236	170H0069		170H0069	170H0069
	170H0237		170H0237		170H0238				
1	170H0235	170H0069	H0235*	170H0236	170H0236	170H0069		170H0069	170H0069
	170H0237		H0237*	170H0238	170H0238				
2	170H0235	170H0069	170H0235	170H0236	170H0236	170H0069		170H0069	170H0069
	170H0237		170H0237	170H0238	170H0238				
3	170H0235	170H0069	170H0236	170H0236	170H0236	170H0069		170H0069	170H0069
	170H0237		170H0238	170H0236	170H0238				
4								170H0069	
23								170H0069	
24								170H0069	

DIN2(55x55), if DIN2 then use microswitch 170H0236, 170H0238

Microswitches for British BS88-4 Fuses

Trip-Indicators / Microswitches

Specifications: Trip-indicator fuse links are available for use in parallel with the main BS88-4 fuse links. They can either be attached to the associated fuse link or mounted separately in panel mounted fuse clips. A push-on adapter and microswitch attachment is available for use with the trip indicator to give the facility of remote indication.

Fuse ratings of 20A and below cannot usually accommodate a trip fuse-link in parallel.

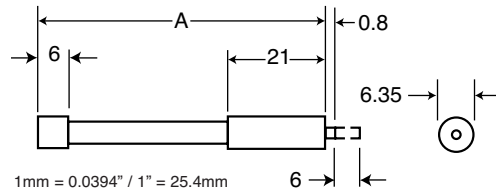


Catalogue Numbers: Trip-Indicator Pack

Fuse Type	Catalogue Number
ET	EC-600
EET	EC-600
FE	EC-600
FEE	EC-600
LET	EC-250
FM	MC-600
FMM	MC-600
LMT	MC-250
LMMT	MC-250

Dimension (mm) & Fuse Link Data

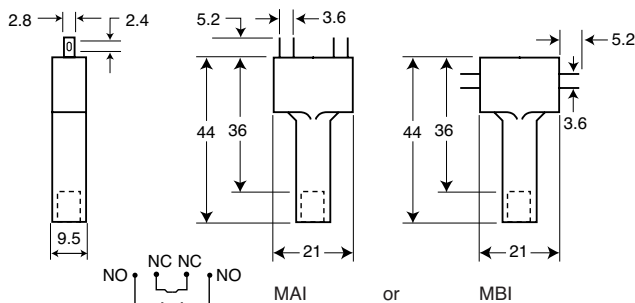
Fuse Type	Dim. "A" Max.	Voltage Rating
TI250	37,6	250
TI500	47,5	500
TI600	55,7	600
TI700	61,8	700
TI1100	98,4	1100
TI1500	120,8	1500
TI2000	147,5	2000
TI2500	198,3	2500



Catalogue Numbers – Microswitch / Adaptor

MAI, MBI, See dimensions for contact arrangements

Dimensions (mm):



Index

Catalogue Number	Page	Catalogue Number	Page	Catalogue Number	Page
170E3577 to 170E3581	70-71/ 80-81	170M4238 to 170M4247	32-33	170M6358 to 170M6368	38-39
170E3583 to 170E3587	70-71/ 80-81	170M4258 to 170M4269	28-29	170M6408 to 170M6421	45-46
170E3914 to 170E3922	75-76	170M4308 to 170M4318	38-39	170M6458 to 170M6471	45-46
170E3937 to 170E3945	73-74	170M4358 to 170M4368	38-39	170M6494 to 170M6501	49-50
170E3976 to 170E3956	73-74	170M4388 to 170M4397	49-50	170M6508 to 170M6521	45-46
170E5417 to 170E5418	70-71/ 80-81	170M4408 to 170M4419	45-46	170M6538 to 170M6549	49-50
170E5420 to 170E5421	70-71/ 80-81	170M4438 to 170M4447	49-50	170M6558 to 170M6571	45-46
170E8335 to 170E8337	70-71/ 80-81	170M4458 to 170M4469	45-46	170M6588 to 170M6599	49-50
170E8345 to 170E8347	70-71/ 80-81	170M4488 to 170M4497	49-50	170M6608 to 170M6621	40-41
170E8882 to 170E8888	75-76	170M4508 to 170M4519	45-46	170M6644 to 170M6651	49-50
170E9681	70-71/ 80-81	170M4531 to 170M4540	42	170M6658 to 170M6671	40-41
170E9685	70-71/ 80-81	170M4558 to 170M4569	45-46	170M6688 to 170M6701	43
170F8230 to 170F8235	72 / 83	170M4608 to 170M4619	40-41	170M6708 to 170M6721	40-41
170H0069	97	170M4658 to 170M4669	40-41	170M6738 to 470M6751	43
170H0235 to 170H0238	97	170M4688 to 170M4697	43	170M6758 to 170M6771	40-41
170H1007	90	170M4708 to 170M4719	40-41	170M6775 to 170M6783	59-60
170H1013	90	170M4738 to 170M4747	43	170M6784 to 170M6807	59-60
170H3003 to 170H3006	90	170M4758 to 170M4769	40-41	170M6808D to 170M6814D	35-36
170M1308 to 170M1322	27	170M4802 to 170M4815	30	170M6815 to 170M6817	59-60
170M1358 to 170M1372	27	170M4822 to 170M4835	30	170M6827 to 170M6829	59-60
170M1408 to 170M1422	27	170M4863D to 170M4867D	35-36	170M6833 to 170M6835	59-60
170M1558D to 170M1572D	35-36	170M4921 to 170M4930	47-48	170M6858 to 170M6870	57-58
170M1750 to 170M1762	66-67	170M4951 to 170M4960	47-48	170M6878 to 170M6890	57-58
170M1770 to 170M1781	66-67	170M4965 to 170M4974	31	170M6892D	35-36
170M1802 to 170M1813	68-69	170M4980 to 170M4989	31	170M6898 to 170M6910	57-58
170M1824 to 170M1833	68-69	170M5008 to 170M5018	28-29	170M6918 to 170M6930	57-58
170M2608 to 170M2621	27	170M5058 to 170M5068	28-29	170M6938 to 170M6950	57-58
170M2658 to 170M2671	27	170M5108 to 170M5118	28-29	170M6958 to 170M6970	57-58
170M2673 to 170M2685	37	170M5138 to 170M5150	32-33	170M7031	53-54
170M2691 to 170M2702	34	170M5158 to 170M5168	28-29	170M7034 to 170M7037	53-54
170M2708 to 170M2721	44	170M5188 to 170M5200	32-33	170M7053	53-54
170M2758 to 170M2771	44	170M5208 to 170M5218	28-29	170M7058 to 170M7066	51-52
170M3008 to 170M3023	28-29	170M5238 to 170M5250	32-33	170M7078 to 170M7086	51-52
170M3058 to 170M3073	28-29	170M5258 to 170M5268	28-29	170M7090	53-54
170M3108 to 170M3123	28-29	170M5308 to 170M5316	38-39	170M7098 to 170M7106	51-52
170M3138 to 170M3148	32-33	170M5358 to 170M5366	38-39	170M7107	55-56
170M3158 to 170M3173	28-29	170M5388 to 170M5398	49-50	170M7118 to 170M7126	51-52
170M3188 to 170M3198	32-33	170M5408 to 170M5418	45-46	170M7138 to 170M7149	61
170M3208 to 170M3223	28-29	170M5438 to 170M5448	49-50	170M7156	53-54
170M3238 to 170M3248	32-33	170M5458 to 170M5468	45-46	170M7158 to 170M7169	61
170M3258 to 170M3273	28-29	170M5494 to 170M5500	49-50	170M7198 to 170M7209	61
170M3308 to 170M3321	38-39	170M5508 to 170M5518	45-46	170M7217	55-56
170M3358 to 170M3371	38-39	170M5531 to 170M5540	42	170M7218 to 170M7229	61
170M3388 to 170M3397	49-50	170M5558 to 170M5568	45-46	170M7488	62
170M3408 to 170M3423	45-46	170M5588 to 170M5598	49-50	170M7498	62
170M3438 to 170M3448	49-50	170M5608 to 170M5618	40-41	170M7510 to 170M7513	55-56
170M3458 to 170M3473	45-46	170M5644 to 170M5650	49-50	170M7516	55-56
170M3488 to 170M3497	49-50	170M5658 to 170M5668	40-41	170M7532	55-56
170M3508 to 170M3523	45-46	170M5688 to 170M5700	43	170M7542	53-54
170M3531 to 170M3541	42	170M5708 to 170M5718	40-41	170M7544	53-54
170M3558 to 170M3573	45-46	170M5738 to 170M5750	43	170M7546	55-56
170M3608 to 170M3623	40-41	170M5758 to 170M5768	40-41	170M7548	53-54
170M3658 to 170M3673	40-41	170M5808D to 170M5817D	35-36	170M7567 to 170M7569	62
170M3688 to 170M3697	43	170M5881 to 170M5889	34	170M7592	55-56
170M3708 to 170M3723	40-41	170M5922 to 170M5931	47-48	170M7595	55-56
170M3738 to 170M3747	43	170M5952 to 170M5961	47-48	170M7597	55-56
170M3758 to 170M3773	40-41	170M5966 to 170M5975	31	170M7608	62
170M3808D to 170M3819D	35-36	170M5981 to 170M5990	31	170M7622	62
170M3921 to 170M3931	47-48	170M6008 to 170M6021	29	170M7633	55-56
170M3951 to 170M3961	47-48	170M6058 to 170M6071	28-29	170M7636	53-54
170M3965 to 170M3975	31	170M6080 to 170M6087	34	170M7639	53-54
170M3981 to 170M3991	31	170M6108 to 170M6121	29	170M7640	53-54
170M4008 to 170M4019	28-29	170M6138 to 170M6151	32-33	170M7658	53-54
170M4058 to 170M4069	28-29	170M6158 to 170M6171	29	170M7661	53-54
170M4108 to 170M4119	28-29	170M6188 to 170M6201	32-33	170M7676	55-56
170M4138 to 170M4147	32-33	170M6208 to 170M6221	29	170M7680	62
170M4158 to 170M4169	28-29	170M6238 to 170M6251	32-33	170M7962	53-54
170M4176 to 170M4186	34	170M6258 to 170M6271	28-29	170M7963	53-54
170M4188 to 170M4197	33	170M6308 to 170M6318	38-39	170M7976	55-56
170M4208 to 170M4219	28-29	170M6338 to 170M6349	49-50	170M7978	55-56

Index

Catalogue Number	Page	Catalogue Number	Page
170M8500 to 170M8513	47-48	MT	14-15
170M8531 to 170M8544	42	NBC	84
170M8554D to 170M8557D	35-36	PV	88
170M8600 to 170M8613	47-48	RC	85
170M8614 to 170M8627	31	SB00-D to SB2-D	91
170M8629 to 170M8642	31	SB00-S to SB2-S	91
1BS101 to 1BS104	89	SF100	86
AL-D	92 / 93	SF75	86
BH-0 to BH-3	89	TI	98
BM	95		
C5268-1 to C5268-5	89		
CH	93-94		
CH810-HP	92		
CHM	92		
CT	14-15		
DFJ	64-65		
EC-250	98		
EC-600	98		
EET	14-15		
ET	14-15		
FE	14-15		
FEE	14-15		
FM	14-15		
FMM	14-15		
FWA-1000AH to FWA-4000AH	4		
FWA-35A21F to FWA-60A21F	16		
FWA-500A to FWA-1000A	5		
FWA-5A10F to FWA-30A10F	16		
FWA-70B to FWA-400B	5		
FWC-1A10F to FWC-32A10F	20		
FWH-250A6F to FWH-030A6F	18		
FWH-1A14F to FWH-30A14F	19		
FWH-225A to FWH-1600A	7		
FWH-35B to FWH-200B	7		
FWJ-20A14F to FWJ-30A14F	24		
FWJ-35A to FWJ-2000A	11		
FWK-35A20F to FWK-60A20F	77		
FWK-35A25F to FWK-60A25F	23		
FWK-5A20F to FWK-30A20F	23 / 77		
FWL-20A20F to FWL-30A20F	25 / 82		
FWL-20A20FI to FWL-30A20FI	25 / 82		
FWP-10A14FI to FWP-50A14FI	21		
FWP-125A to FWP-1200A	10		
FWP-1A14F to FWP-50A14F	21		
FWP-20A22F to FWP-100A22F	22		
FWP-20A22FI to FWP-100A22FI	22		
FWP-5B to FWP-100B	10		
FWS-2A20F to FWS-15A20F	26		
FWS-2A20FI to FWS-15A20FI	26		
FWX-1000AH to FWX-2500AH	6		
FWX-1A14F to FWX-50A14F	17		
FWX-35A to FWX-800A	6		
J70100	96		
KAC	8		
KBC	9		
KBN-450S	87		
KBO-800	87		
KBS-450C	87		
KC36	78		
KVX-1000	87		
KVY-1000	87		
KVY-700	87		
LCT	12		
LET	12		
LMMT	13		
LMT	13		
LRC750	79		
MC-250	98		
MC-600	98		
MMT	14-15		

Cooper Bussmann® Products and Technical Expertise Delivered Worldwide

Customer Assistance

Customer Satisfaction Team

The Cooper Bussmann® Customer Satisfaction Team is available to answer questions regarding Cooper Bussmann products.

Calls can be made between:

Europe:

Monday-Thursday 7.30 am - 5.30 pm GMT

Friday 7.30 am - 5.00 pm GMT

The Customer Satisfaction Team can be reached via:

- Phone: 00 44 (0) 1509 882 600
- Fax: 00 44 (0) 1509 882 786
- E-mail: bulesales@cooperindustries.com

Application Engineering

Application Engineering assistance is available to all customers. The Application Engineering team is staffed by university-qualified electrical engineers who are available by phone with technical and application support

Europe:

Monday – Thursday 8.30 am – 4.30 pm GMT

Friday 8.30 am - 4.00 pm GMT

Application Engineering can be reached via phone, fax or email:

- Phone: 00 44 (0) 1509 882 699
- Fax: 00 44 (0) 1509 882 794
- E-mail: buletechnical@cooperindustries.com

Online Resources

Visit www.cooperbussmann.com for the following resources:

- Product cross reference
- Product Data Sheets
- Product Profiles
- Online catalogues for the latest United States and European Catalogues

United States:

Monday – Friday, 8:00 a.m. – 5:00 p.m. Central Time.

Application Engineering can be reached via phone, fax or email:

- Phone: 636-527-1270
- Fax: 636-527-1607
- E-mail: fusetech@cooperindustries.com