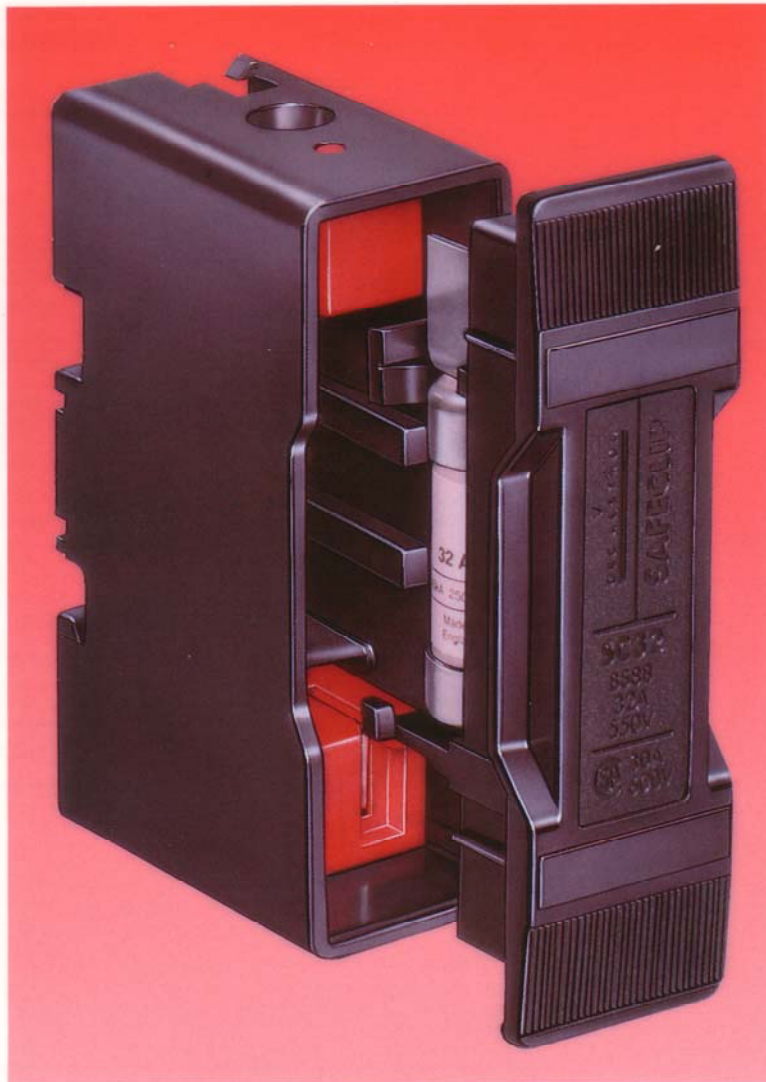


'SAFECLIP'

HRC Fuse holders and Fusebanks




LOW VOLTAGE EQUIPMENT

Phone: 0202/702031

Fax: 0202/702032

E-Mail: lwd@weutscheck.com

www.weutscheck.com

'SAFECLIP'

HRC fully shrouded Fuse holders and Fusebanks

Contents	Page
'SAFECLIP' Fuse holders	
List numbers	3
Accessories	4
Fuse links accommodated	4
Method of Cabling	4
Dimensions	5 & 6

'SAFECIP' HRC fully shrouded Fuse holders

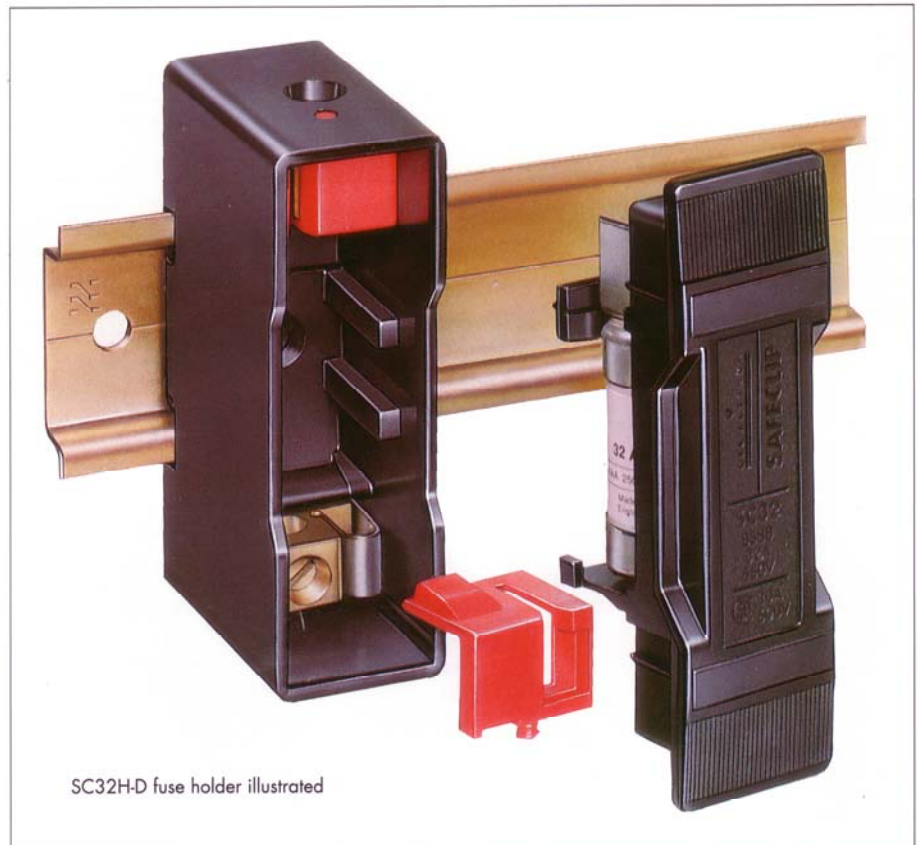
20 Amp, 240 Volt a.c.

32, 63 & 100 Amp, 550 Volt a.c.

125 Amp, 440 Volt a.c.

Complying fully with
BS 88: Parts 1 & 6: 1988 and the
16th Edition of the IEE Wiring
Regulations (BS 7671).

- Ideal contact and lower watts loss achieved by self-cleaning, self-aligning base contacts with stainless steel contact reinforcing stirrups.
- Strength and long life assured in fuse carriers moulded from tough flame retardant material.
- Unique clip-action terminal shrouds lowers installed cost of equipment.
- Downtime and maintenance costs minimised due to fuse link directly clipping in and out of the fuse carrier – no screws or tools required.
- Integral DIN-rail mounting feature on 32, 63 and 125 Amp front connected fuse holders enabling the fuse holder to be quickly mounted on standard DIN-rail without the use of tools.
- Full shrouding and complete compliance with the direct contact electric shock requirements of the 16th Edition of the IEE Wiring Regulations.
- Elimination of fuse carrier contacts allowing the fuse tags to fit directly and securely into the base contacts to ensure greater reliability and lower watts loss.



List numbers for ordering purposes

Rating	Type of connection	List number	Colours available
Amp	Front	SC20H	Black, White, Green
	Back	SC20P	Black, White, Green
	Busbar/Front	SC20BH	Black
32	Front	SC32H-D	Black, White, Green
	Back	SC32P	Black, White, Green
	Busbar/Front	SC32BH	Black
63	Front	SC63H-D	Black, White
	Back	SC63P	Black
	Busbar/Front	SC63BH	Black
100	Front	SC100H	Black
125	Front	SC125H-D	Black

Accessories

Accessory	Fuse holder Rating	List number
	Amp	
Sealing band	20	SCSB20/32
DIN-rail adaptor*	20	DIN-20/32
Adaptor carrier for fitting Type NS fuse links into SC63 fuse holder	32	SCA63CAR
Copper links	20	SSC-Link
	32	NSC-Link
	63	ESC-Link
	100	OSC-Link
Padlockable Inserts	32	SC32 Lock
	100	SC63 Lock

* SC32H - D, SC63H - D and SC125H - D have an integral DIN adaptor fitted as standard.

HRC fuse links accommodated

HRC fuse links complying with BS 88:1988 and ASTA Certified at 80 kA, 440 Volt a.c.



For prices refer to the current edition of publication FG/127

Fuse holder rating	Fuse link accommodated	
	List number prefix	Range of current ratings
Amp		Amp
20	SS*	2-20
32	NS	2-32 32M40*
	NS†	2-32
63	ES	40-63 63M80*
	TIA	2-32
	TIS	35-63
100	OS	80-100
	OS	100M125
125	XS	2-125*

* This range of fuse links is rated at 240 Volt and designed primarily for use in a.c. heating and lighting sub-circuits.

• NS32M40, ES63M80 and XS125 are rated at 415 Volt.

† To accommodate the 'NS' fuse link additional fuse carrier list number - SCA63 is required. This must be specified at the time of ordering.

Cabling details

(Front connected fuse holders)

- 1) Remove Red insulating terminal shrouds and loosen the exposed cable clamping screws.
- 2) Fit bared conductor end† into fuse base terminal, and tighten cable clamping screw to secure.
- 3) Replace clip action red insulating terminal shroud.

‡ IMPORTANT NOTE

If flexible cables are used, their relatively fine strands must be given increased protection by the use of thin wall copper ferrules over the conductor ends. The following should be taken into account:

- a) The inside diameter of the thin wall copper ferrule should match that of the bared conductor end as closely as possible.

b) The length of the thin wall copper ferrule should match that of the tunnel in the fuse holder base terminal.

- c) The wall thickness of the ferrule should be thin enough for the ferrule to be compressed by the tightening of the cable clamping screw. The flexible conductors will then be consolidated within the defined ferrule.

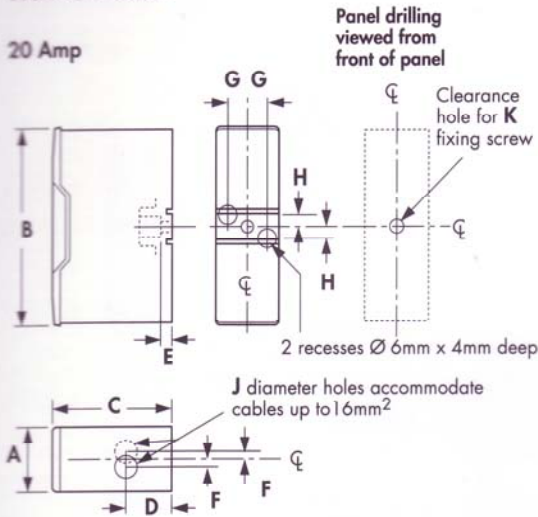
Dimensions

in millimetres

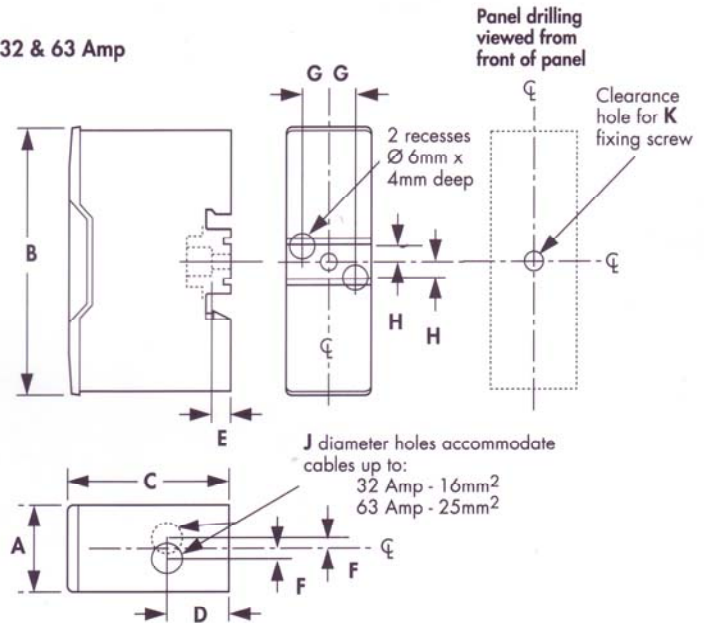
20, 32, 63, 100 & 125 Amp 'SAFECLIP' fuse holders

Front connected

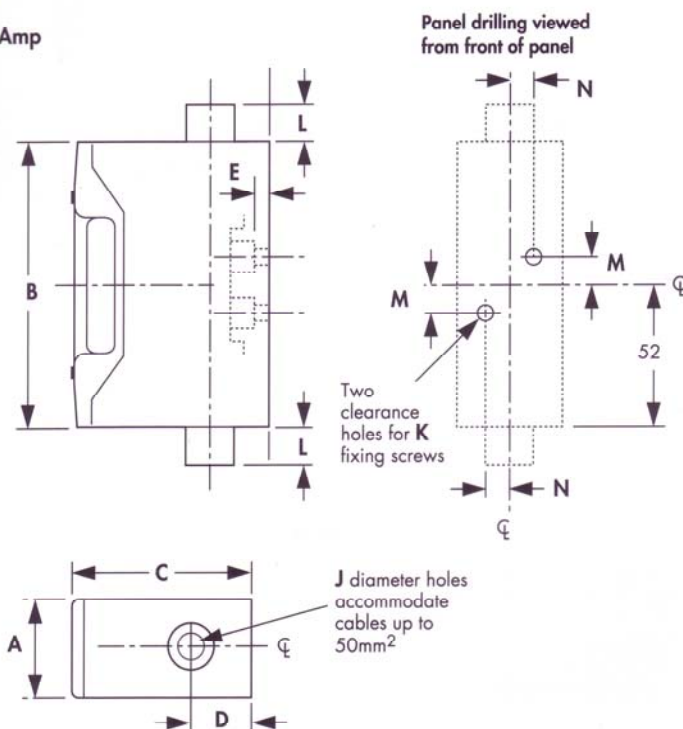
20 Amp



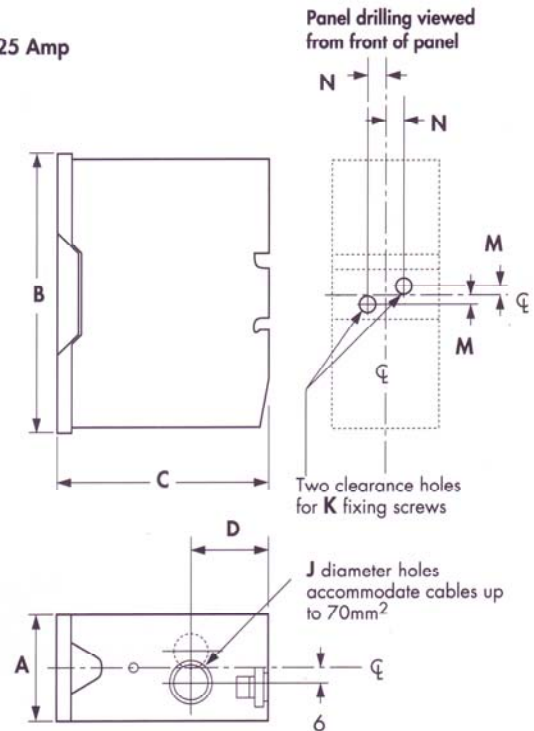
32 & 63 Amp



100 Amp



125 Amp

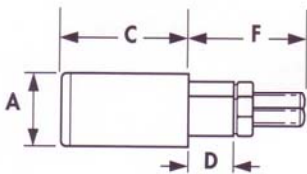
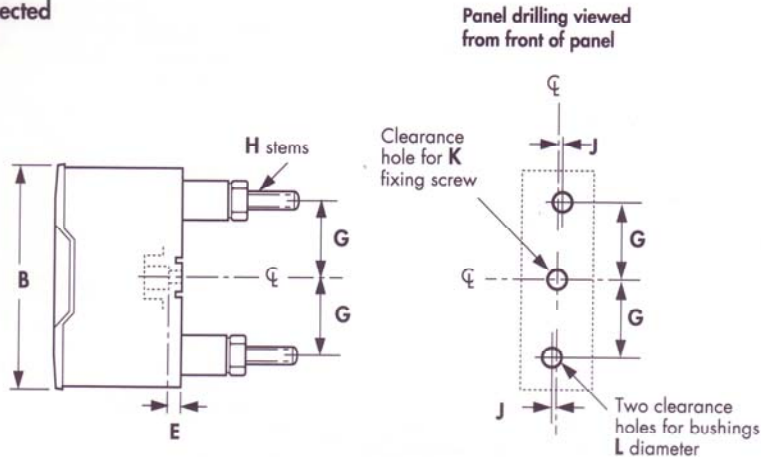


Rating	A	B	C	D	E	F	G	H	J	K	L	M	N
Amp													
20	25	71	47	18	5	2	8	5	6	M5	-	-	-
32	25	81	52	22	5	2	8	5	6	M5	-	-	-
63	30	96	58	24	5	6	8	5	8	M5	-	-	-
100	35	110	75	24	9	-	-	-	10	M5	15	3.0	6.0
125	40	108	84	33	-	-	-	-	14	M5	-	3.2	6.5

Dimensions
 in millimetres

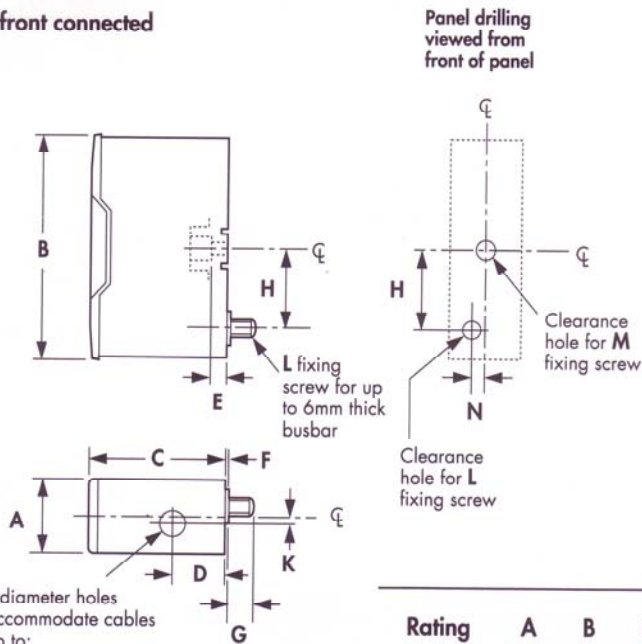
20, 32, 63 Amp 'SAFECLIP' fuse holders

Back connected



Rating	A	B	C	D	E	F	G	H	J	K	L
Amp											
20	25	71	47	16	5	40	22	M6	2	M5	14
32	25	81	47	16	5	40	27	M6	2	M5	14
63	30	96	53	16	5	51	32	M8	5	M5	17

Busbar/front connected



J diameter holes accommodate cables up to:
 20 & 32 Amp - 16mm²
 63 Amp - 25mm²

Rating	A	B	C	D	E	F	G	H	J	K	L	M	N
Amp													
20	25	71	47	18	5	1	12	23	6	2	M5	M5	4
32	25	81	47	18	5	1	12	29	6	2	M5	M5	4
63	30	96	53	16	5	1	13	33	8	5	M5	M5	6

Dieser Katalog wurde von LWD - Lieselotte Weutscheck, Distributor für G.E. Power Controls digitalisiert.

Fon: 0202/702031

Fax: 0202/702032

Mail: lwd@weutscheck.com

www.weutscheck.com



GEC ALSTHOM LOW VOLTAGE EQUIPMENT LIMITED

East Lancashire Road, Liverpool, England, L10 5HB

Tel: 0151 524 1122 - Fax: 0151 523 7007 - Telex: 627324 FGEAR G

Note: The Company's policy is one of continuous development and improvement of its products and, therefore, the right is reserved to supply products which may differ from those described and illustrated in this publication.

Copyright © 1995 GEC ALSTHOM LTD Publication IEF/402E (Supersedes IEF/402D) Printed in England 029550LP

Phone: 0202/702031

Fax: 0202/702032

E-Mail: lwd@weutscheck.com

www.weutscheck.com

This catalogue was digitalised by LWD - Lieselotte Weutscheck, Distributor for G.E. Power Controls.