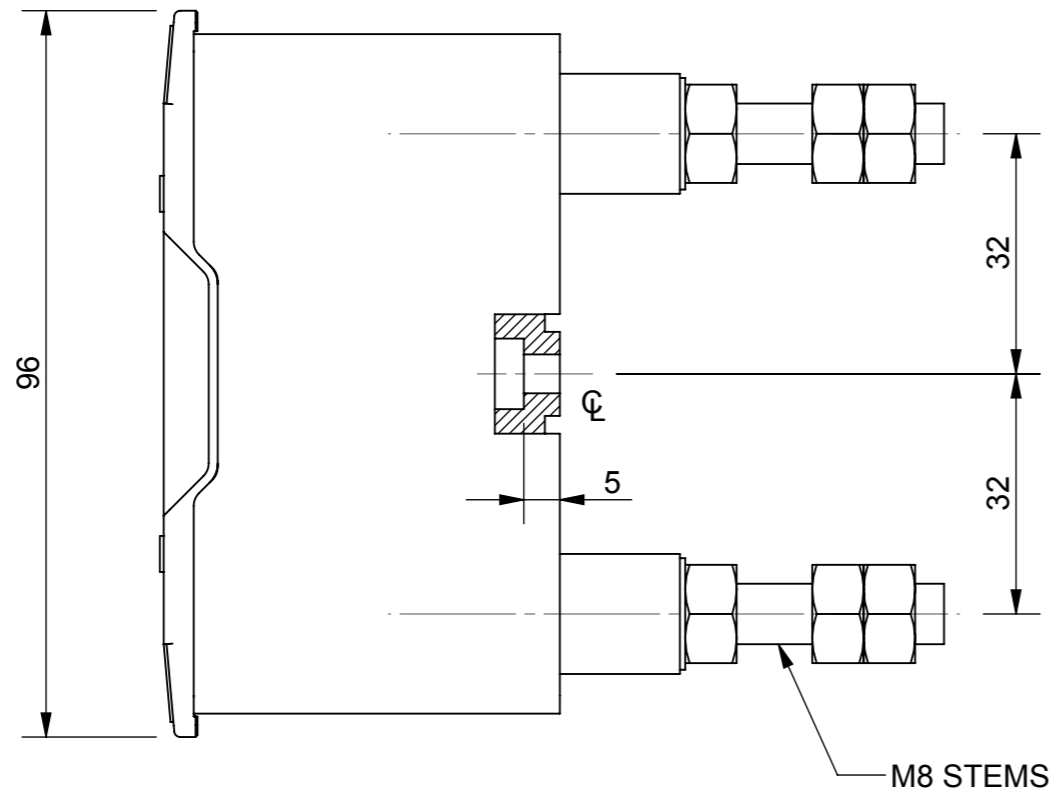


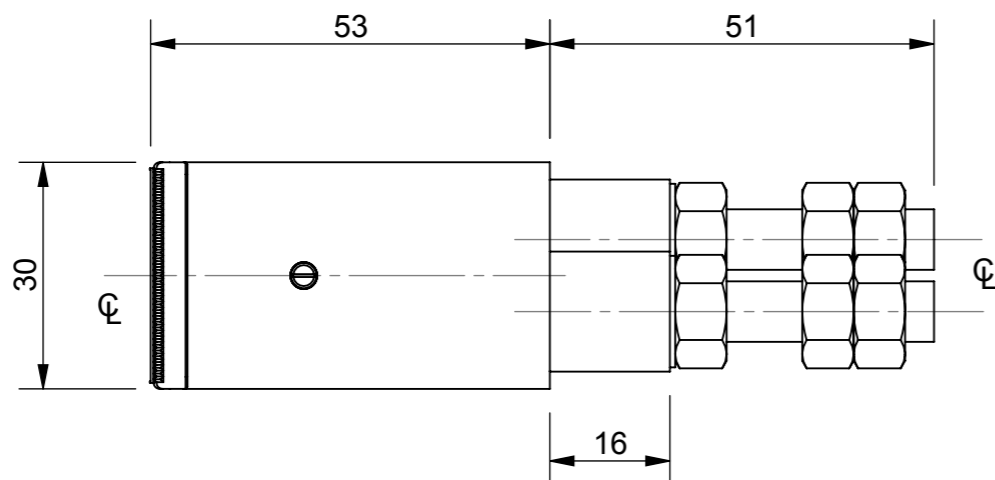
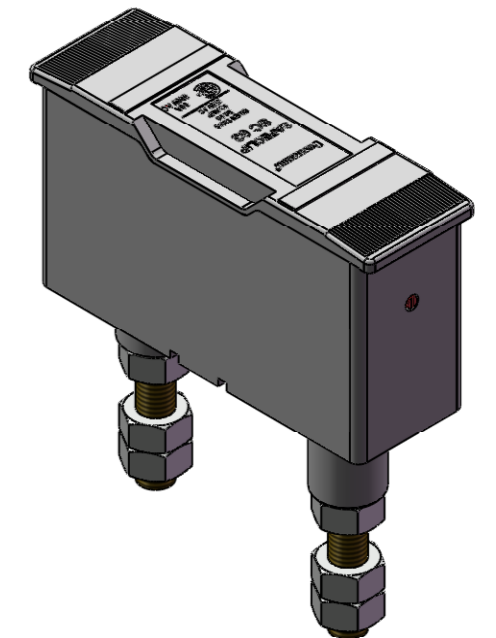
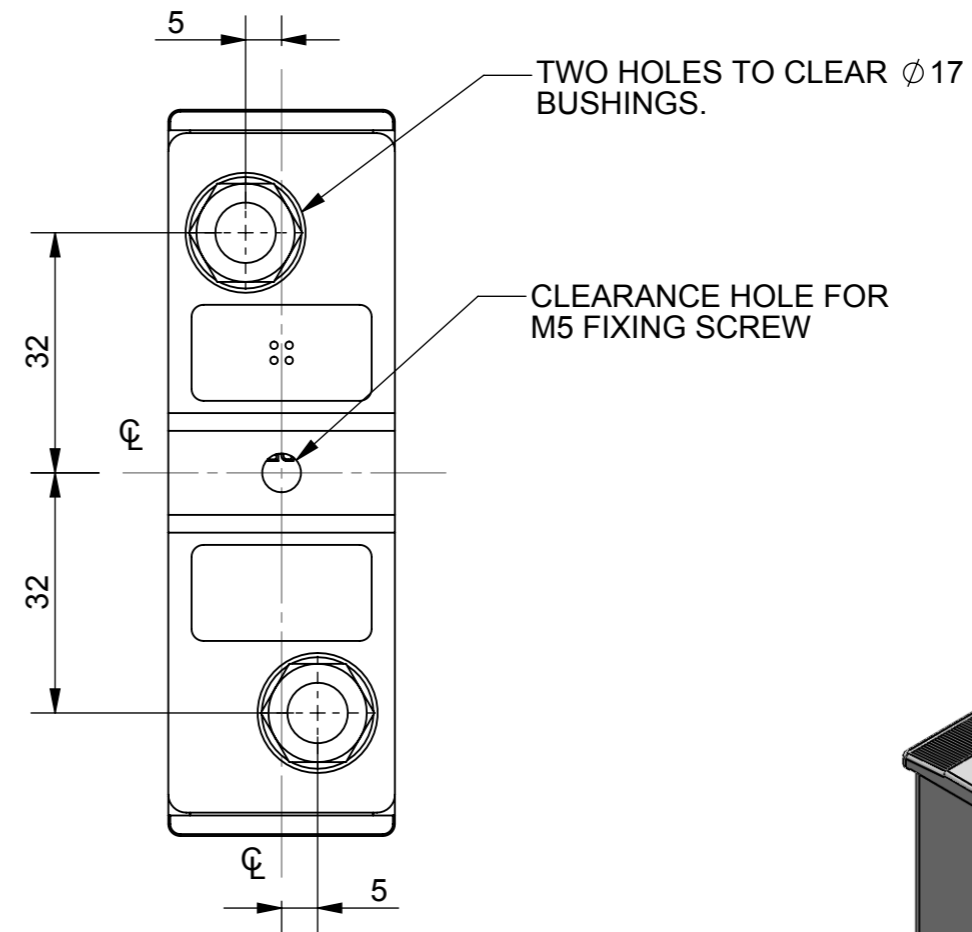
ITEM No . SC63P

REVISION

REV	DESCRIPTION	BY	DATE	CHANGE NO.
A	CONVERSION OF GE RED SPOT DRAWINGS TO SOLIDWORKS	RAG	23/05/2012	B17157



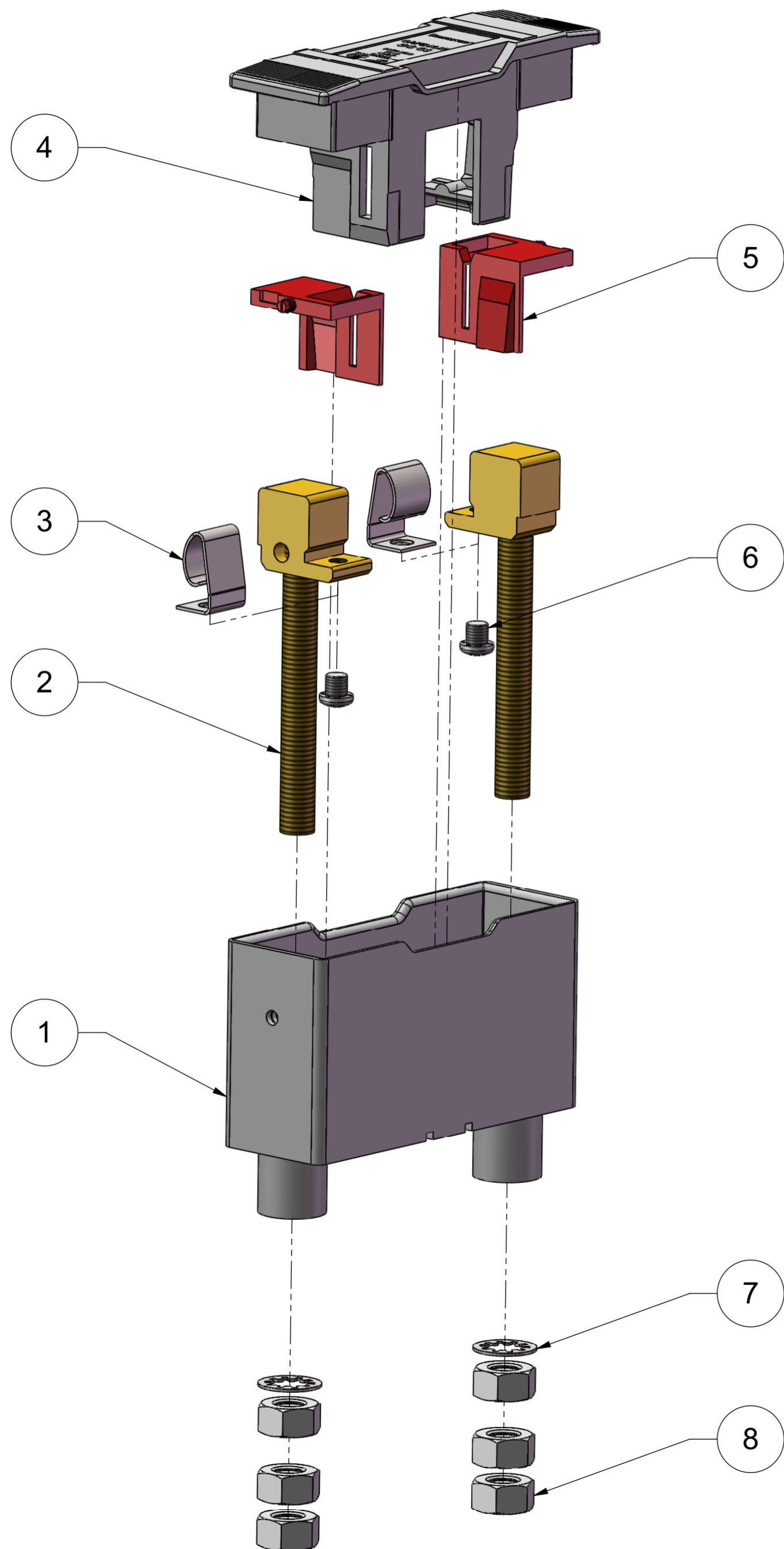
PANEL DRILLING VIEWED FROM FRONT



MODEL VERSION: 00 MODEL SOURCE FILE: 1000001929	MATERIAL:	VARIOUS	<small>UNLESS OTHERWISE SPECIFIED, ALL DIMENSIONS ARE IN MILLIMETERS.</small> TOLERANCES UNLESS OTHERWISE SPECIFIED: GENERAL $\pm 0.4\text{mm}$ ANGULAR $\pm 1^\circ$			COOPER Bussmann (UK) Ltd Burton-on-the-Wolds, Leics, LE12 5TH Tel +44 1509 882 600 Fax +44 1509 882786			
	FINISH:	NONE	UNCONTROLLED COPY	TITLE: SAFELIP 63A BACK STUD CONNECTED BLACK					
	SURFACE AREA:	VARIOUS mm^2	THIS DRAWING IS CONFIDENTIAL AND THE COPYRIGHT OF COOPER BUSSMANN AND MUST NOT BE COPIED OR PASSED ON TO A THIRD PARTY WITHOUT WRITTEN CONSENT		DWG NO: 1000001929		ANGLE:	REV:	
	VOLUME:	89126.39 mm^3			THIRD	A			
MASS:	241.21g			DRAWN BY:	CHECKED BY:	DATE:	SCALE:	SIZE:	SHEET:
				RAG	JM/NS	23/05/2012	NTS	A3	1 OF 2

ITEM No . SC63P

REVISION				
REV	DESCRIPTION	BY	DATE	CHANGE NO.
A	CONVERSION OF GE RED SPOT DRAWINGS TO SOLIDWORKS	RAG	23/05/2012	B17157



ITEM NO.	PART NUMBER	QTY.	DESCRIPTION
1	H26M3048	1	MOULDED BASE FOR 'SC63P' BACK CONNECTED FUSEHOLDER
2	H28D3014	2	"SC 63 P" BLOCK AND STEM ASSY.
3	H22D3001	2	STIRRUP FOR SC63 FUSE HOLDERS
4	H26M3043	1	CARRIER FOR 'ES' FUSE IN 'SC 63' FUSEHOLDER FOR "SIMPLEX"
5	H26C3034	2	SHROUD FOR SC63 FUSE HOLDER
6	H20D2010TR	2	SPECIAL SCREW WITH SERRATED M4 POSIDRIVE PAN HEAD
7	MS90-08-Z	2	M8 SHAKE PROOF WASHER
8	IF0504A11	6	M8 FULLNUTS (BRASS)

MODEL NUMBER: 1000001929 MODEL NUMBER: 1000001929	MATERIAL:	VARIOUS	<small>UNLESS OTHERWISE SPECIFIED: ALL DIMENSIONS ARE IN MILLIMETERS.</small> <small>TOLERANCES UNLESS OTHERWISE SPECIFIED:</small> GENERAL ± 0.4mm ANGULAR ± 1°	COOPER Bussmann (UK) Ltd Burton-on-the-Wolds, Leics, LE12 5TH Tel +44 1509 882 600 Fax +44 1509 882786										
	FINISH:	NONE	UNCONTROLLED COPY	TITLE: SAFECLIP 63A BACK STUD CONNECTED BLACK										
	SURFACE AREA:	VARIOUSmm ²	THIS DRAWING IS CONFIDENTIAL AND THE COPYRIGHT OF COOPER BUSSMANN AND MUST NOT BE COPIED OR PASSED ON TO A THIRD PARTY WITHOUT WRITTEN CONSENT	DWG NO:	1000001929									
	VOLUME:	89126.39mm ³		ANGLE:	THIRD	REV:	A							
MASS:	241.21g		DRAWN BY:	RAG	CHECKED BY:	JM/NS	DATE:	23/05/2012	SCALE:	NTS	SIZE:	A2	SHEET:	2 OF 2