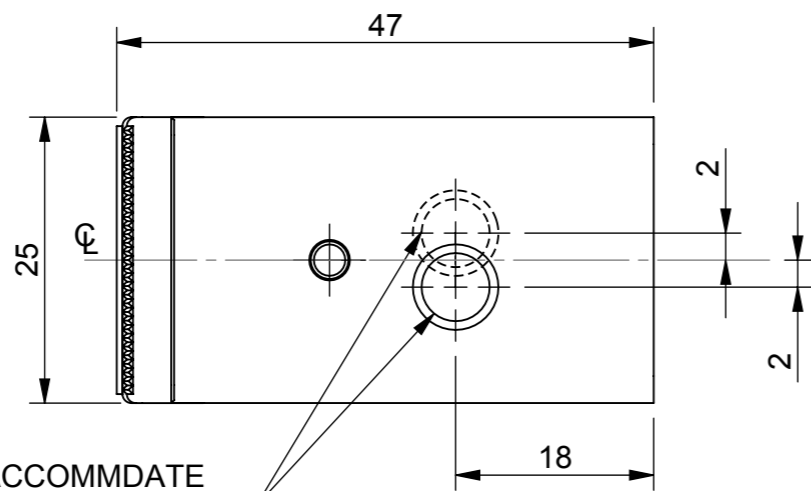
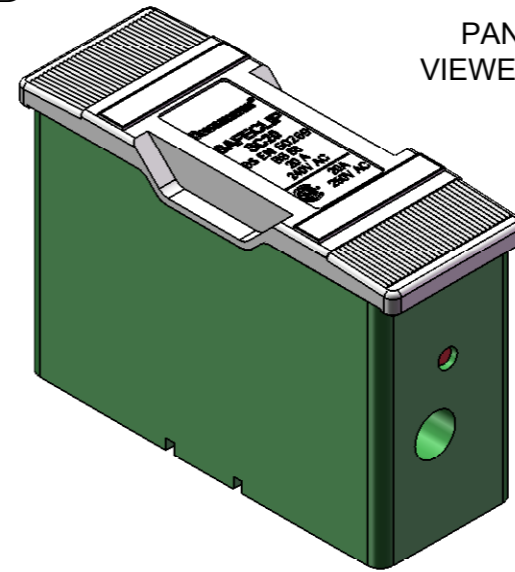
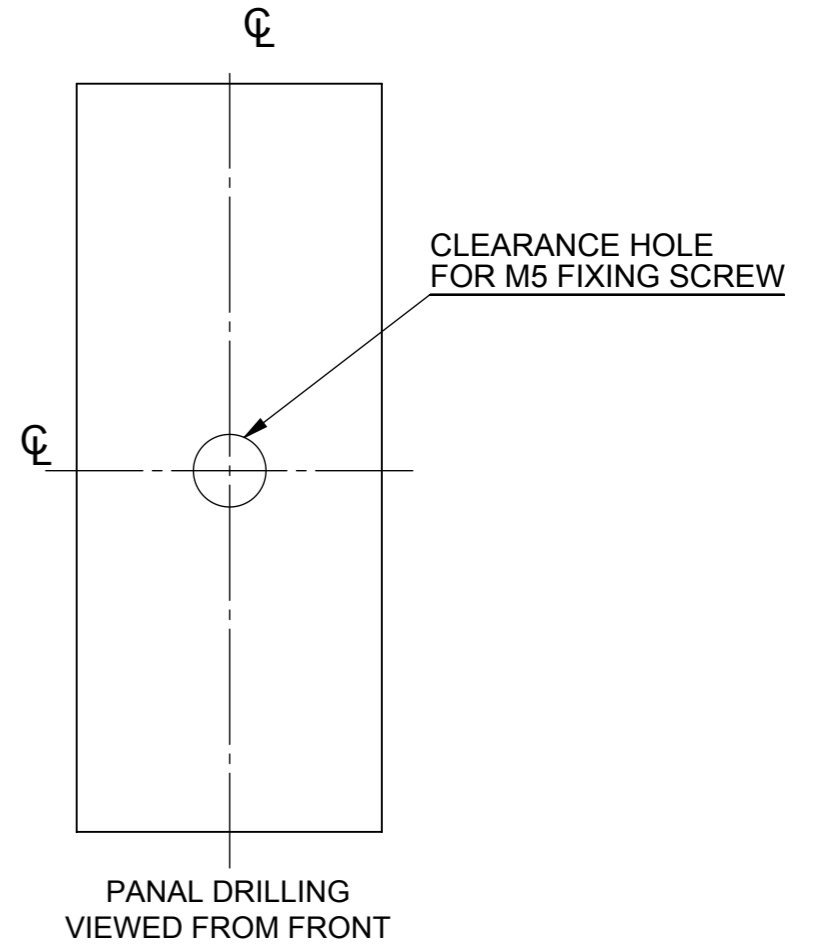
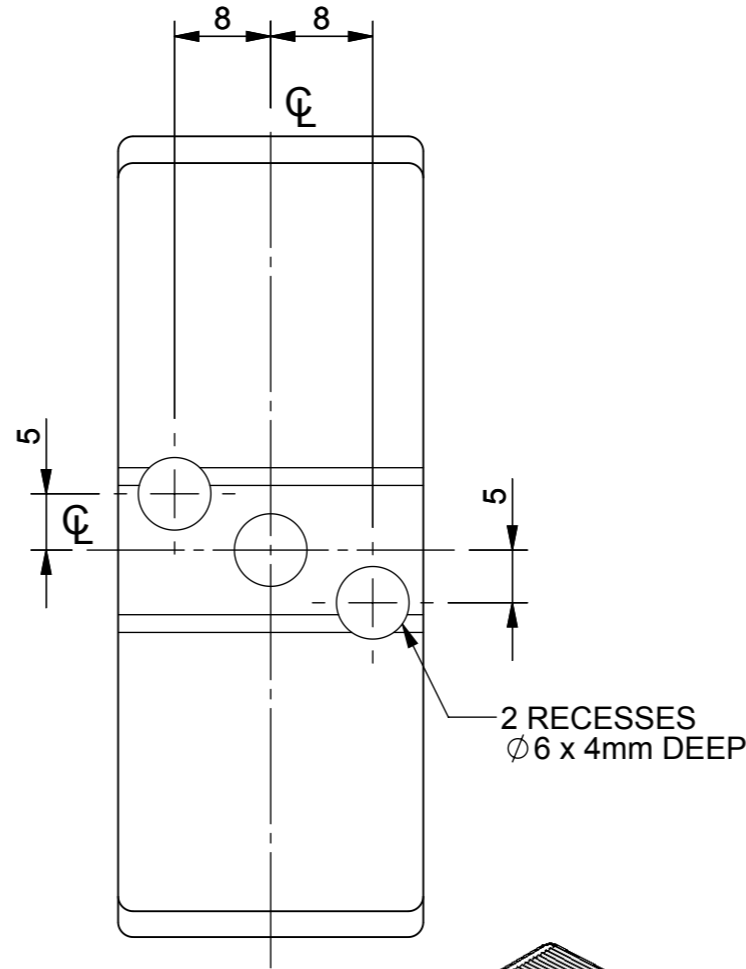
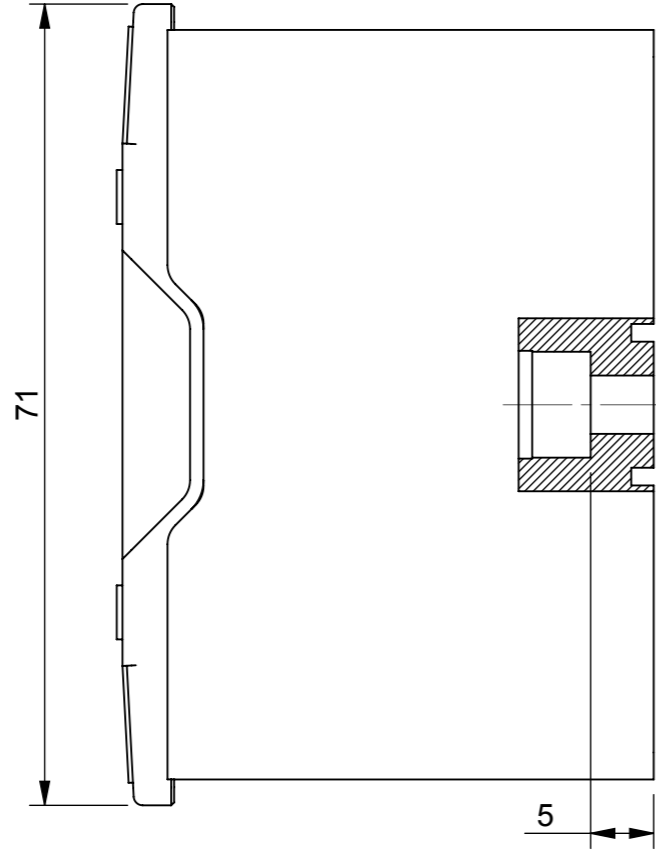
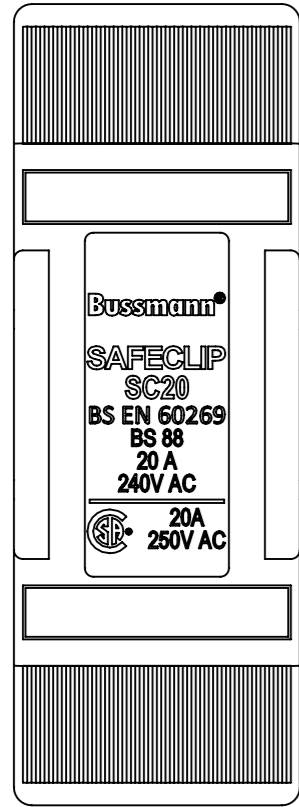


ITEM No. SC20H--

REVISION				
REV	DESCRIPTION	BY	DATE	CHANGE NO.
A	CONVERSION OF GE RED SPOT DRAWINGS TO SOLIDWORKS	KVS	19/05/2012	B17157



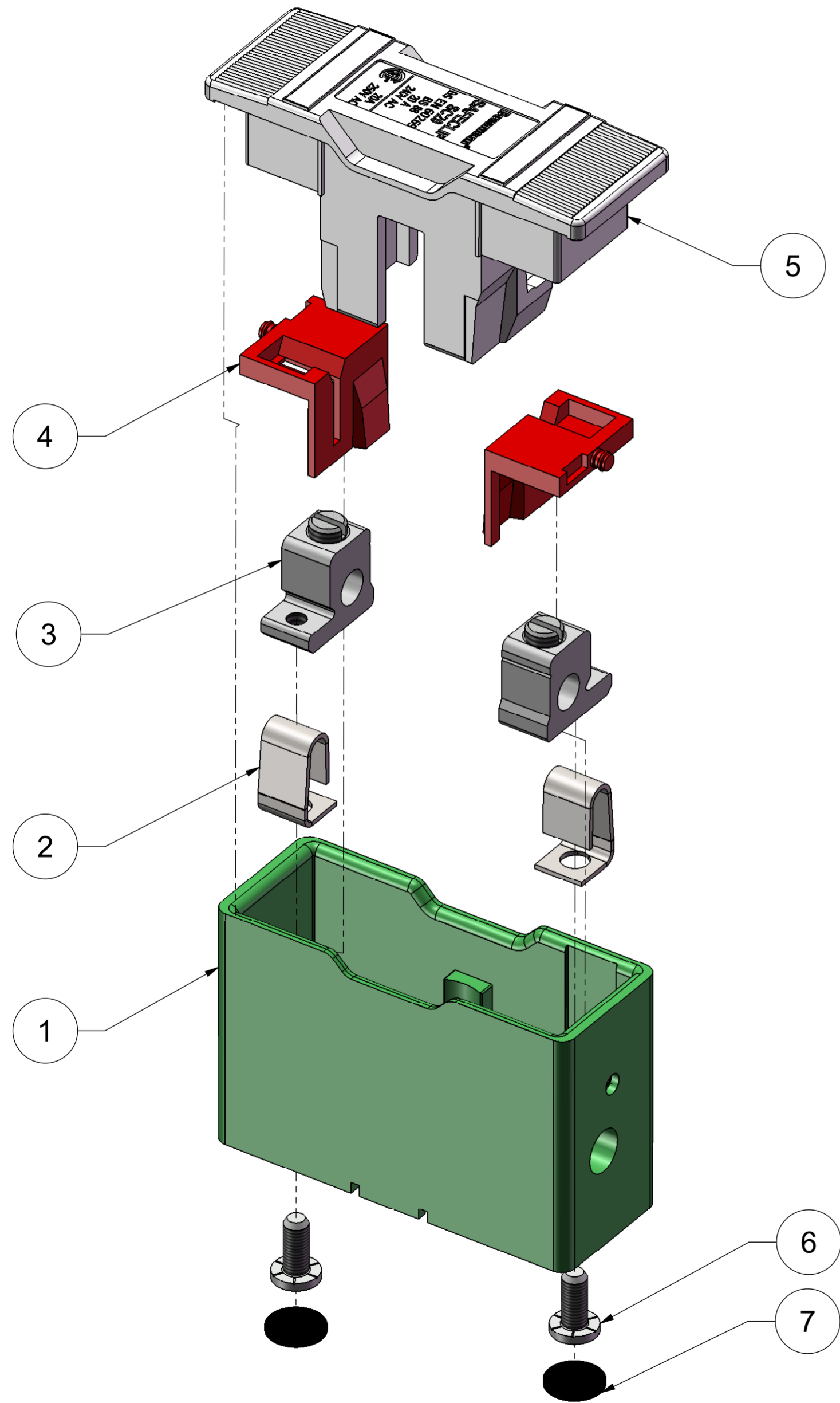
Ø6 HOLES ACCOMMDATE CABLES UP TO 16sq. MM

MODEL VERSION: 00 MODEL SOURCE FILE: 1000001919	MATERIAL:	VARIOUS	UNLESS OTHERWISE SPECIFIED, ALL DIMENSIONS ARE IN MILLIMETERS.			COOPER Bussmann (UK) Ltd Burton-on-the-Wolds, Leics, LE12 5TH Tel +44 1509 882 600 Fax +44 1509 882786	
	FINISH:	NONE	TOLERANCES UNLESS OTHERWISE SPECIFIED: GENERAL ± 0.4mm ANGULAR ± 1°			TITLE:	SAFECLIP FRONT CONNECTED SC20H SERIES
	SURFACE AREA:	VARIOUSmm ²	UNCONTROLLED COPY		DWG NO:	1000001919	
	VOLUME:	44339.27mm ³	THIS DRAWING IS CONFIDENTIAL AND THE COPYRIGHT OF COOPER BUSSMANN AND MUST NOT BE COPIED OR PASSED ON TO A THIRD PARTY WITHOUT WRITTEN CONSENT		ANGLE:	THIRD	REV:
MASS:	302.75g			DRAWN BY:	KVS	CHECKED BY:	JM/NS
				DATE:	19/05/2012	SCALE:	NTS
				SIZE:	A3	SHEET:	1 OF 2

ITEM No. SC20H---

REVISION				
REV	DESCRIPTION	BY	DATE	CHANGE NO.
A	CONVERSION OF GE RED SPOT DRAWINGS TO SOLIDWORKS	KVS	19/05/2012	B17157

ITEM NO.	PART NUMBER	SC20H	SC20HGN	SC20HWH	DESCRIPTION
		QTY.			
1	H26M1143	1	--	--	MOULDED BASE FOR SHROUDED FRONT CONNECTED FITTING - BLACK
	H26M1147	--	1	--	MOULDED BASE FOR SHROUDED FRONT CONNECTED FITTING - GREEN
	H26M1148	--	--	1	MOULDED BASE FOR SHROUDED FRONT CONNECTED FITTING - WHITE
2	H22D2007	2	2	2	SPRING STIRRUP
3	H28D2010	2	2	2	BASE CONTACT BLOCK ASSEMBLY
4	H26C2034	2	2	2	SHROUD 20AMP FUSE FITTING
5	H26M1202	1	--	--	MOULDED CARRIER FOR SHROUDED FUSEHOLDER - BLACK
	H26M1205	--	1	--	MOULDED CARRIER FOR SHROUDED FUSEHOLDER - GREEN
	H26M1204	--	--	1	MOULDED CARRIER FOR SHROUDED FUSEHOLDER - WHITE
6	H20D2007	2	2	2	SPECIAL SCREW WITH SERRATED M4 POSIDRIV PAN HEAD
7	C4160-41	2	2	2	BASE DISC



<small>MODEL SOURCE FILE:</small> 1000001919 <small>MODEL NUMBER:</small> 1000001919	<small>MATERIAL:</small> VARIOUS	<small>TOLERANCES UNLESS OTHERWISE SPECIFIED:</small> GENERAL ± 0.4mm ANGULAR ± 1°	<small>COOPER Bussmann (UK) Ltd</small> Burton-on-the-Wolds, Leics, LE12 5TH Tel +44 1509 882 600 Fax +44 1509 882786		
	<small>FINISH:</small> NONE	UNCONTROLLED COPY	<small>TITLE:</small> SAFECLIP FRONT CONNECTED SC20H SERIES		
	<small>SURFACE AREA:</small> VARIOUSmm ² <small>VOLUME:</small> 44339.27mm ³ <small>MASS:</small> 302.75g	<small>THIS DRAWING IS CONFIDENTIAL AND THE COPYRIGHT OF COOPER BUSSMANN AND MUST NOT BE COPIED OR PASSED ON TO A THIRD PARTY WITHOUT WRITTEN CONSENT</small>		<small>DRW NO:</small> 1000001919	<small>ANGLE:</small> THIRD
	<small>SCALE:</small> NTS		<small>DATE:</small> 19/05/2012	<small>SIZE:</small> A2	<small>REV:</small> A <small>SHEET:</small> 2 OF 2