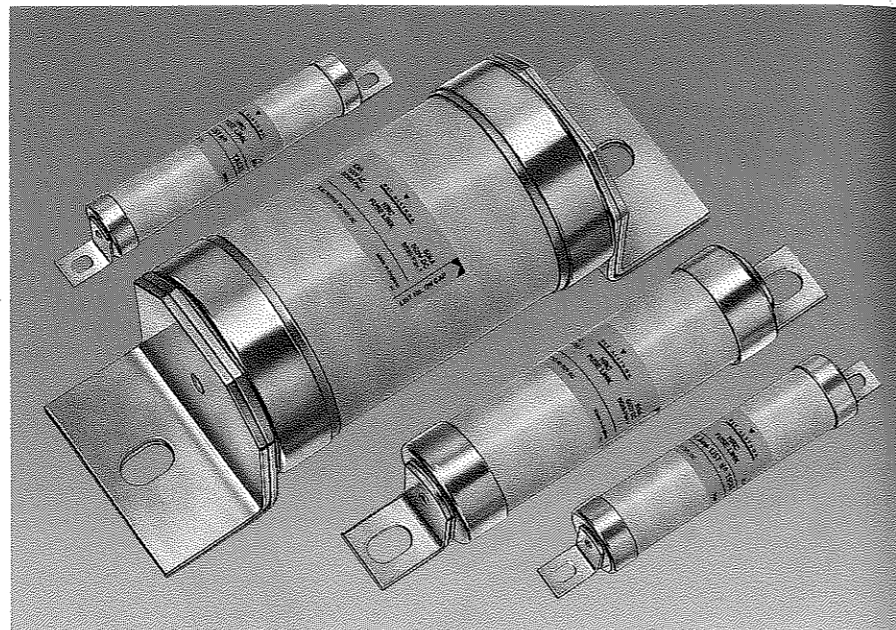


# Type 'T-C' High Voltage HRC Fuse Links

1.2kV and 1.5kV  
For Industrial and  
General Applications  
Complying with  
BS 2692 and BS 88



### Specification

#### Current and voltage ratings

HD36

KC36

No EQUIVALENT

Fuse link type	Rating Amp	Voltage rating	
		a.c.	d.c.
TAC	2, 4, 6, 10, 16, 20, 25, 32	1200	
TSC	35, 50, 63		
TFC	80, 100, 125, 160, 200, 250*, 315*, 355*		Certified to 660 also tested to 750
TLC	400	1500	
A04TLC	400, 450, 500, 560, 630, 750*		

To establish list number for ordering purposes combine fuse link type with current rating, i.e. TAC 32

\* These ratings are obtained by connecting single body fuse links in parallel as follows:

Rating Amp	Connect in Parallel
250	2 x 125A
315	2 x 160A
355	2 x 200A
750	2 x 400A

#### A.C. short-circuit performance

The range has been tested to BS 2692 as follows:

'TAC' & 'TSC' 63kA 1200Volt  
'TFC', 'TLC' & 'A04TLC' 63kA 1500Volt

#### D.C. short-circuit performance

The range is certified to BS 88:Part 1 for voltage rating of 660 Volt d.c. 50kA and in addition has been tested to a minimum of 750 Volt d.c.

I<sup>2</sup>t and Cut-Off data available on request.

#### Characteristics

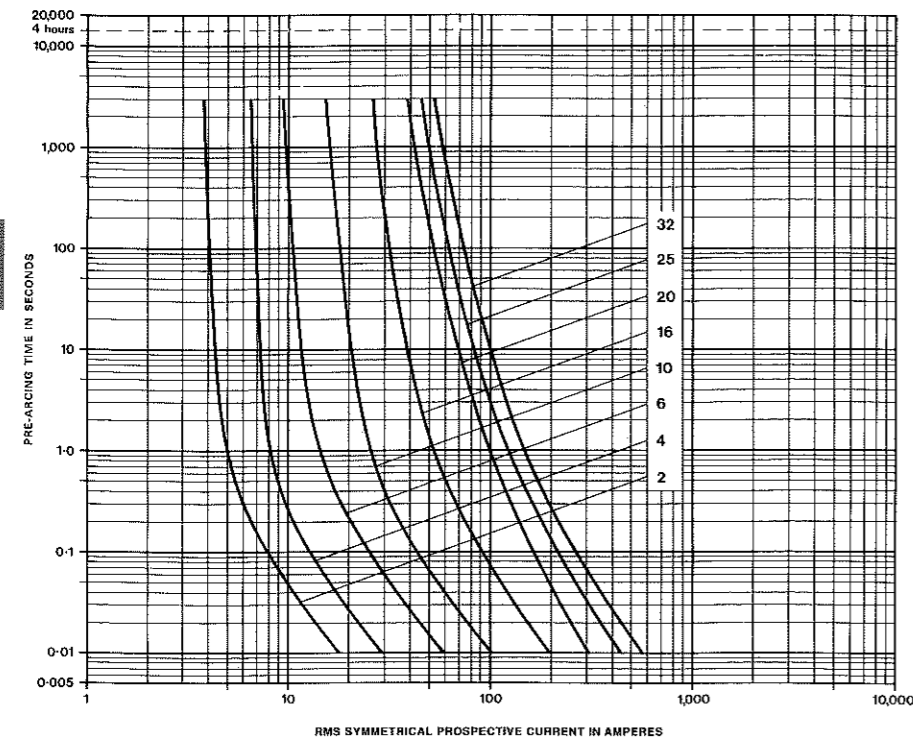
The time current characteristics shown on page 4/4 relate to mean pre-arcing times and are accurate to within a manufacturing tolerance of ±10% related to current.

#### TC equivalents

Current List number	Superseded List number	Comments
TAC 2	TAC 2	
TAC 4	TAC 4	
TAC 6	TAC 6	
TAC 10	TAC 10	Current TAC/TSC ranges provide equivalent fixing centres with closed end tags. If, however, open end versions are required, order as A05 TAC or A05 TSC.
TAC 16	TAC 15	
TAC 20	TAC 20	
TAC 25	TAC 25	
TAC 32	TAC 30	
TSC 35	TSC 35	
TSC 50	TSC 50	
TSC 63	TSC 60	
TFC 80	TMC 80	The TFC range has a longer thinner body than the superseded TMC type. If identical fixing centres are required, order as A06 TFC.
TFC 100	TMC 100	
TFC 125	TMC 125	
TFC 160	TMC 160	
TFC 200	TLC 200	
2 x TFC 125 (in parallel)	TLC 250	For identical fixing centres as TLC type. Order as A11 TFC for tags with closed slots or A10 TFC for type with open slots.
2 x TFC 160 (in parallel)	TLC 300	
2 x TFC 200 (in parallel)	TLC 350	
A04 TLC 400	787 TLC 400	Single body A04 TLC range now replaces superseded 787 TLC range. For 750 Amp 2 fuses must be used in parallel.
A04 TLC 500	787 TLC 500	
A04 TLC 560	787 TLC 560	
A04 TLC 630	787 TLC 630	
2 x A04 TLC 400 (in parallel)	787 TLC 750	

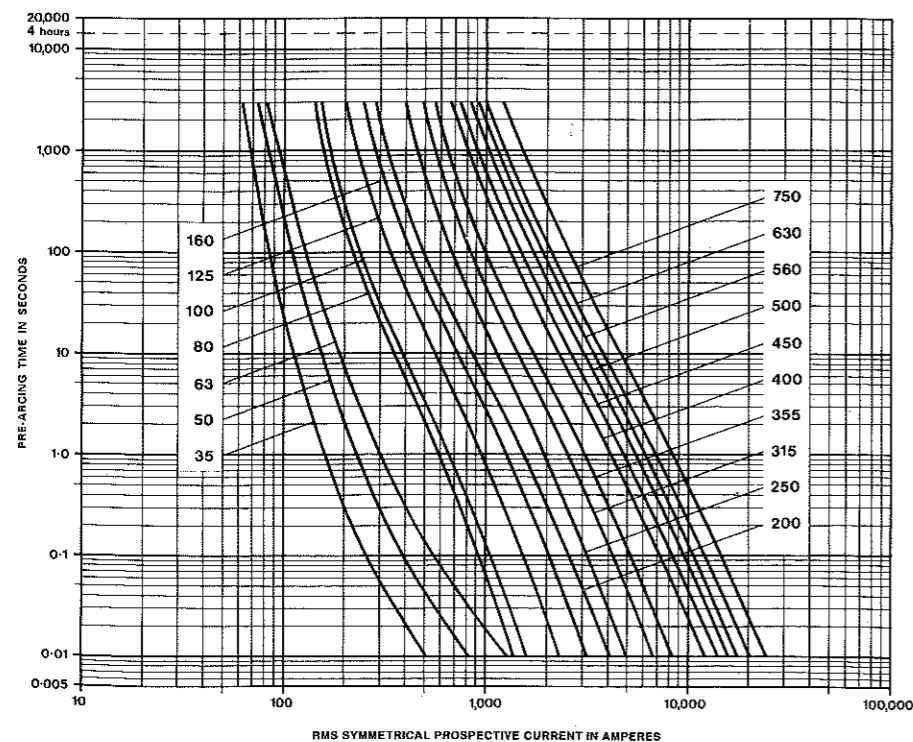
# Characteristics

## Type 'TAC' Time/Current Characteristics 2 - 32 Amp

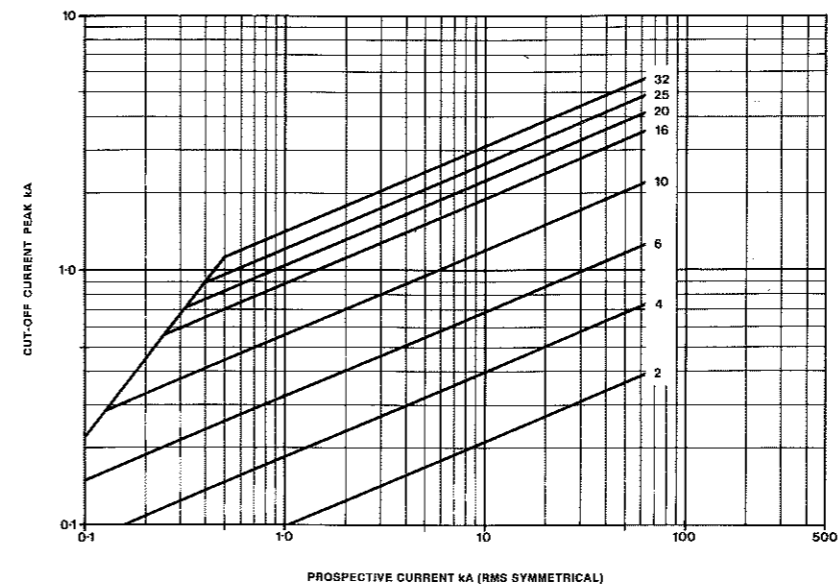


4/4

## Types 'TSC', 'TFC', 'TLC' & 'A04TLC' Time/Current Characteristics 35 - 750 Amp



## Type 'TAC' Cut-off Current Characteristics 2 - 32 Amp

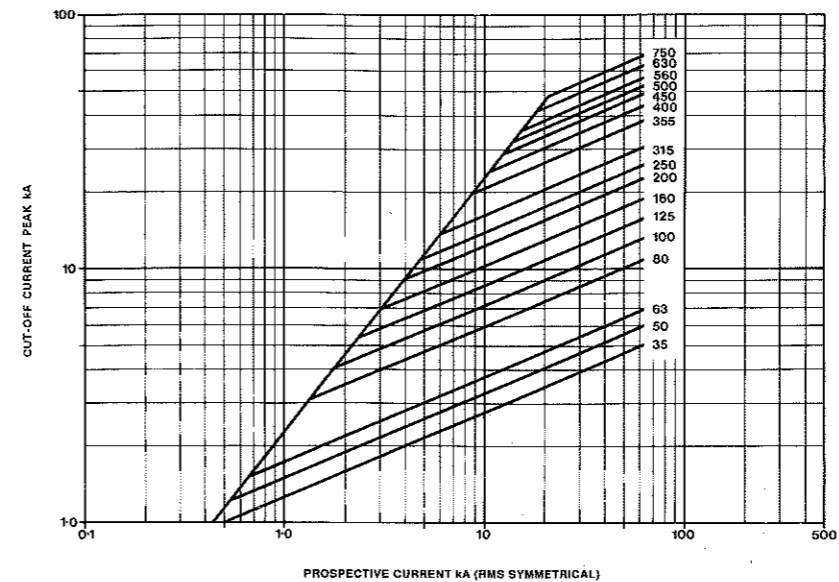


## Types 'TAC' & 'TSC' I<sup>2</sup>t Values 2 - 63 Amp

Current rating Amp	Pre-arcing I <sup>2</sup> t A <sup>2</sup> sec x 10 <sup>3</sup>	Total I <sup>2</sup> t A <sup>2</sup> sec x 10 <sup>3</sup>
2	0.001	0.005
4	0.005	0.024
6	0.023	0.106
10	0.117	0.540
16	0.5	2.35
20	0.6	2.8
25	1.1	5.0
32	1.6	7.4
35	0.4	6.5
50	0.9	15.0
63	1.8	24.0

4/5

## Types 'TSC', 'TFC', 'TLC' & 'A04TLC' Cut-off Current Characteristics 35 - 750 Amp

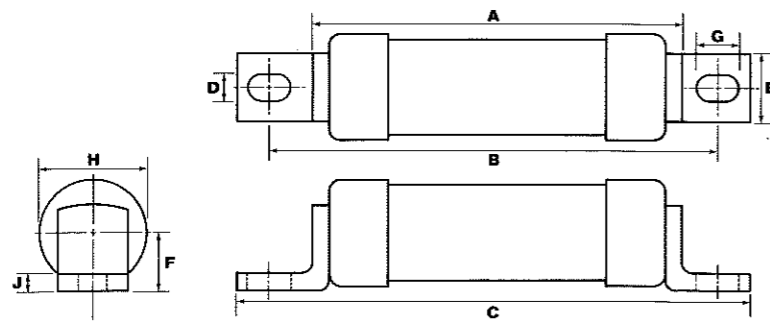


## Types 'TFC', 'TLC' & 'A04TLC' I<sup>2</sup>t Values 80 - 750 Amp

Current rating Amp	Pre-arcing I <sup>2</sup> t A <sup>2</sup> sec x 10 <sup>3</sup>	Total I <sup>2</sup> t A <sup>2</sup> sec x 10 <sup>3</sup>
80	8.0	95
100	10.0	105
125	24.5	197
160	43.5	284
200	68.3	440
250 (2 x 125)	98.4	790
315 (2 x 160)	174	1136
355 (2 x 200)	350	2400
400	780	4300
450	1300	6600
500	1500	7400
560	1900	9000
630	2400	11000
750 (2 x 400)	3120	17200

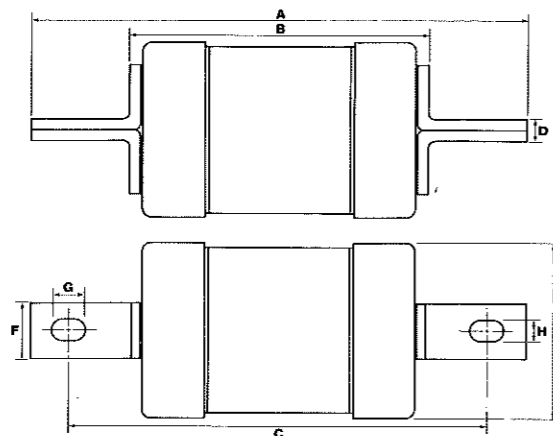
## Dimensions

Types 'TAC', 'TSC' & 'TFC'



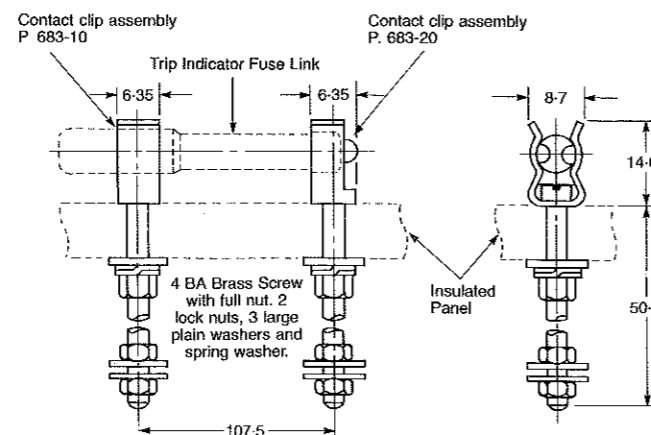
Fuse link type	Dimensions in millimetres								
	A	B	C	D	E	F	G	H	J
TAC	106.4	124.0	139.0	5.2	12.7	14.3	7.5	22.2	1.2
TSC	106.4	124.0	139.0	5.2	12.7	14.3	7.5	26.2	1.2
TFC	141.2	168.4	192.0	10.3	25.4	21.7	15.9	40.3	3.2

Type 'TLC'



Fuse link type	Dimensions in millimetres							
	A	B	C	D	E	F	G	H
TLC	232	148	196.8	9.5	82.6	25.4	13.5	10.3

Dimensions in millimetres



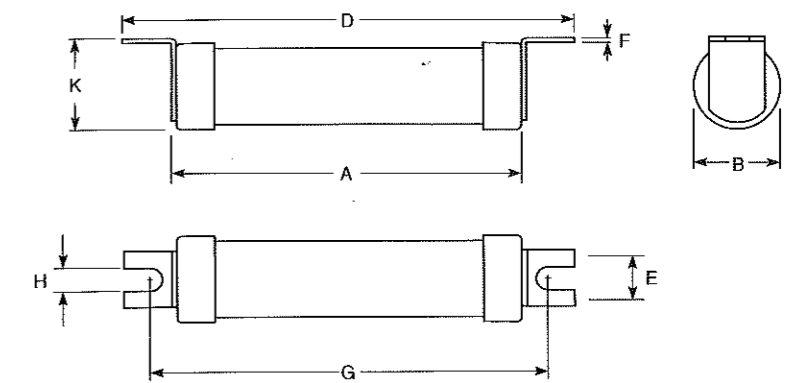
### Indication of operation

Where indication is required, this can be achieved by the use of a GSL 2000 indicator fuse link mounted in parallel with the main fuse link. Mounting clips are detailed right.

## Non-Standard Dimensions

Rating Voltage	Rating Current		List number	Fig. No.	
	a.c.	d.c. Amp			
1200	660	2	A05 TAC 2	1	
		4	A05 TAC 4		
		6	A05 TAC 6		
		10	A05 TAC 10		
		16	A05 TAC 16		
		20	A05 TAC 20		
		25	A05 TAC 25		
		32	A05 TAC 32		
		35	A05 TSC 35		1
		50	A05 TSC 50		
63	A05 TSC 63				
1500	660	80	A06 TFC 80	2	
		100	A06 TFC 100		
		125	A06 TFC 125		
		160	A06 TFC 160		
		200	A06 TFC 200		
		80	A10 TFC 80		1
100	A10 TFC 100				
125	A10 TFC 125				
160	A10 TFC 160				
1500	660	200	A10 TFC 200	3	
		80	A11 TFC 80		
		100	A11 TFC 100		
		125	A11 TFC 125		
1500	660	160	A11 TFC 160	4	
		200	A11 TFC 200		
		400	A04 TLC 400		
		450	A04 TLC 450		
		500	A04 TLC 500		
1500	660	560	A04 TLC 560	4	
		630	A04 TLC 630		

Figure 1



List number	Dimensions in millimetres							
	A	B	D	E	F	G	H	K
A05TAC 2-32	108.25	22.2	141	12.7	1.2	125.5	5.2	25.4
A05TSC 35-63	108.25	26.2	141	12.7	1.2	125.5	5.2	27.4
A10TFC 80-200	141.2	40.3	230*	25.4	3.2	196.8	11.2	41.45

\* Maximum

Dimensions in millimetres

Figure 2

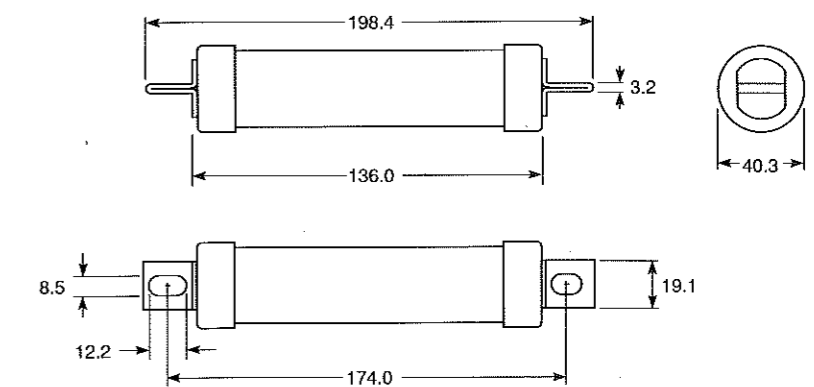


Figure 4

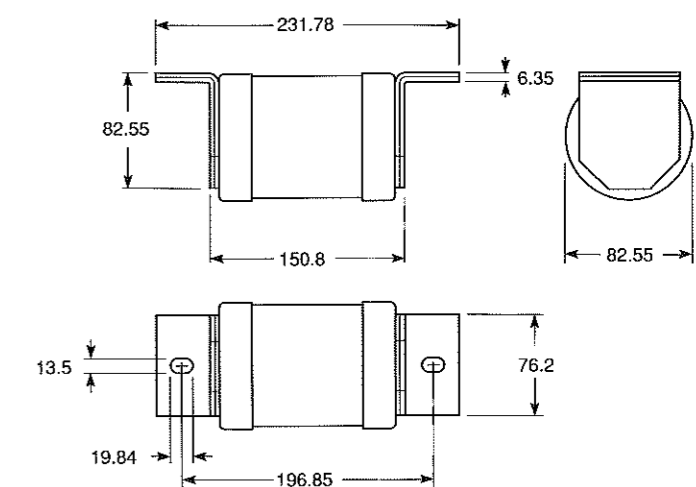


Figure 3

