



THIS DRAWING IS CONFIDENTIAL
AND THE COPYRIGHT OF
COOPER (U.K.) LIMITED
AND MUST NOT BE COPIED OR
PASSED ON TO A THIRD PARTY
WITHOUT WRITTEN CONSENT.



COOPER Bussmann

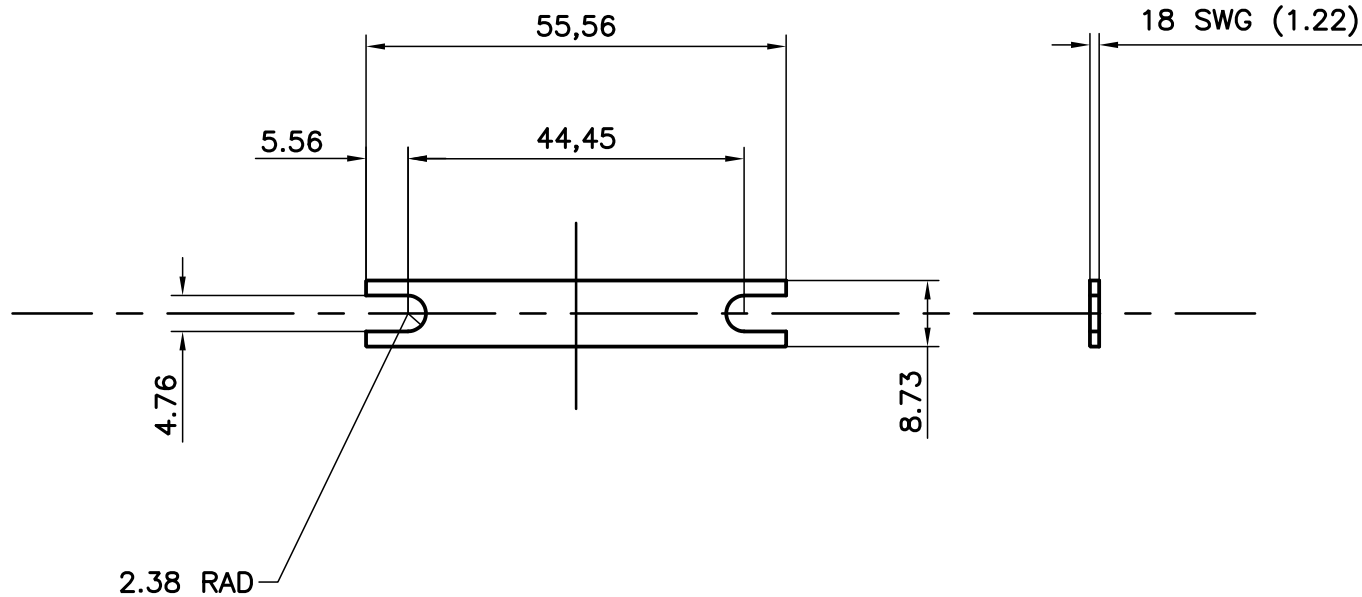


UNCONTROLLED COPY

PLEASE ENSURE THE DRAWING IS TO THE
LATEST REVISION BEFORE COMMENCING WORK.

DRG. No. A4/6156

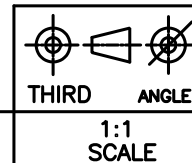
REVISIONS
D) RE-DRAWN
AS 24/01/02
SEE ECN-417



MATERIAL : Copper BS 2870 : 1980 C101. Half Hard. 18 swg.
FINISH : Tinned Mat'l Part No. 6323

ACAD 2000

DRN.	DM	CHKD.
DATE	09/07/74	



Cooper (U.K.) Ltd
BURTON-ON-THE-WOLDS,
LEICESTERSHIRE LE12 5TH.
FAX 01509 882786
TEL 01509 882600

ALL DIMENSIONS IN MILLIMETRES UNLESS OTHERWISE STATED

DRG. No. A4.6156

ANY UNSPECIFIED TOL.
± 0.4mm 0.016"

20CML/32CMLC

IF IN DOUBT ASK